

# HC-KIT-B24-R04 - Connector set

1409778

<https://www.phoenixcontact.com/us/products/1409778>

Please be informed that the data shown in this PDF document is generated from our online catalog. Please find the complete data in the user documentation. Our general terms of use for downloads are valid.



Connector set, consisting of: B24 sleeve housing and panel mounting base, 24-pos. plug and socket insert, M32 cable gland

## Commercial data

Item number	1409778
Packing unit	1 pc
Minimum order quantity	1 pc
Sales key	BF63
Product key	AF7AFX
GTIN	4046356752725
Weight per piece (including packing)	717 g
Weight per piece (excluding packing)	717 g
Customs tariff number	85366990
Country of origin	CN

# HC-KIT-B24-R04 - Connector set

1409778

<https://www.phoenixcontact.com/us/products/1409778>

## Set consists of

### G-INS-M32-M68N-NNES-S - Cable gland

1411166

<https://www.phoenixcontact.com/us/products/1411166>



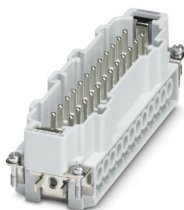
Cable gland, material for screw connection: Brass, nickel-plated, application: Standard, external cable diameter 15 mm ... 21 mm, shielding: no, connecting thread: M32 x 1.5, color: silver-colored, with O-ring

---

### HC-B 24-I-UT-M - Contact insert

1648296

<https://www.phoenixcontact.com/us/products/1648296>



Contact insert, number of positions: 24+PE, size: B24, number of connections per position: 1, Pin, Screw connection, 500 V, 16 A, 0.5 mm<sup>2</sup> ... 2.5 mm<sup>2</sup>, application: Power

# HC-KIT-B24-R04 - Connector set

1409778

<https://www.phoenixcontact.com/us/products/1409778>



## HC-STA-B24-HLFD-1STM32-EL-AL - Housing

1412774

<https://www.phoenixcontact.com/us/products/1412774>



Sleeve housing B24, for double locking latch, material: Die-cast aluminum, salt water resistant, cable outlets: 1, lateral, 1x M32, height: 60 mm, cable gland: none, Standard

---

## HC-STA-B24-BWD-ELC-AL - Housing

1411331

<https://www.phoenixcontact.com/us/products/1411331>



HEAVYCON B24 panel mounting base, with double locking latch, with flat gasket, salt-water-resistant aluminum, conductive profile gasket

# HC-KIT-B24-R04 - Connector set

1409778

<https://www.phoenixcontact.com/us/products/1409778>



## HC-B 24-I-UT-F - Contact insert

1648306

<https://www.phoenixcontact.com/us/products/1648306>



Contact insert, number of positions: 24+PE, size: B24, number of connections per position: 1, Socket, Screw connection, 500 V, 16 A, 0.5 mm<sup>2</sup> ... 2.5 mm<sup>2</sup>, application: Power

# HC-KIT-B24-R04 - Connector set

1409778

<https://www.phoenixcontact.com/us/products/1409778>

## Technical data

### Product properties

Product type	Connector set
Housing type	Complete housing
Application	Power
Type	B24
Number of positions	24
Connection profile	24+PE
No. of cable outlets	1
Seal present	yes
Protective cover	no
Contact material type	turned
Cable outlet	lateral

### Insulation characteristics

Overvoltage category	III
Degree of pollution	3

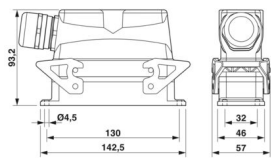
### Electrical properties

Rated voltage (III/3)	500 V
Rated surge voltage	6 kV
Rated current	20 A
Nominal voltage $U_N$	500 V
Nominal current $I_N$	16 A

### Connection data

Connection method	Screw connection
Connection technology	Screw connection
Conductor cross-section	0.5 mm <sup>2</sup> ... 2.5 mm <sup>2</sup> (applies to stranded conductors with ferrules) 0.5 mm <sup>2</sup> ... 2.5 mm <sup>2</sup> (applies to stranded conductors with ferrules)
Connection cross section AWG	20 ... 14
Tightening torque	0.5 Nm ... 0.8 Nm

### Dimensions

Dimensional drawing	
Width	43 mm
Height	92 mm
Length	140 mm

# HC-KIT-B24-R04 - Connector set



1409778

<https://www.phoenixcontact.com/us/products/1409778>

## Installation dimensions

Width of the assembly cutout	35 mm
Length of the assembly cutout	113 mm

## Material specifications

Material Housing	Die-cast aluminum
Flammability rating according to UL 94	V0
Contact material	Copper alloy
Contact surface material	Ag
Contact carrier material	PC
Locking latch material	PA

## Cable/line

External cable diameter	15 mm ... 21 mm
	17 mm ... 21 mm (for UL 514 B)
External cable diameter	14 mm ... 21 mm

## Mechanical properties

### Mechanical data

Locking type	Latch
--------------	-------

## Environmental and real-life conditions

### Ambient conditions

Degree of protection	IP65
Impact strength	IK09
Ambient temperature (operation)	-40 °C ... 100 °C

## Mounting

Mounting type	Screw mounting
---------------	----------------

# HC-KIT-B24-R04 - Connector set

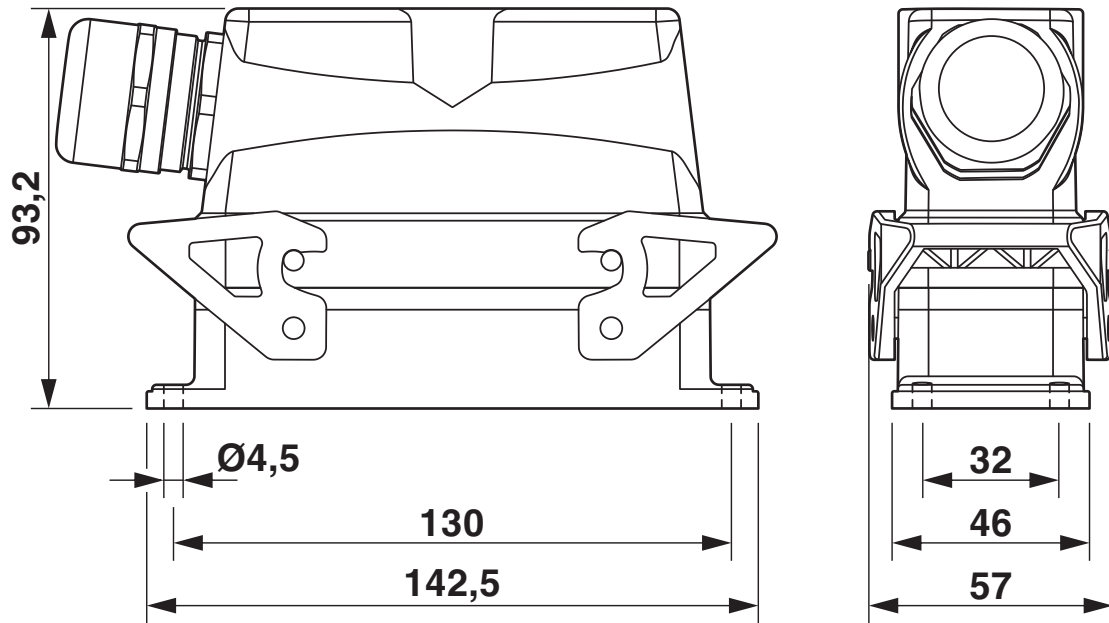


1409778

<https://www.phoenixcontact.com/us/products/1409778>

## Drawings

Dimensional drawing



Dimensional drawing

# HC-KIT-B24-R04 - Connector set



1409778

<https://www.phoenixcontact.com/us/products/1409778>

## Approvals

To download certificates, visit the product detail page: <https://www.phoenixcontact.com/us/products/1409778>



**EAC**

Approval ID: RU C-DE.AI30.B.01102

# HC-KIT-B24-R04 - Connector set



1409778

<https://www.phoenixcontact.com/us/products/1409778>

## Classifications

### ECLASS

ECLASS-13.0	27440113
ECLASS-15.0	27440113

### ETIM

ETIM 10.0	EC002636
-----------	----------

### UNSPSC

UNSPSC 21.0	39121400
-------------	----------

# HC-KIT-B24-R04 - Connector set



1409778

<https://www.phoenixcontact.com/us/products/1409778>

## Environmental product compliance

### EU RoHS

Fulfills EU RoHS substance requirements	Yes
Exemption	6(c)

### China RoHS

Environment friendly use period (EFUP)	EFUP-50
	An article-related China RoHS declaration table can be found in the download area for the respective article under "Manufacturer declaration". For all articles with EFUP-E, no China RoHS declaration table issued and required.

### EU REACH SVHC

REACH candidate substance (CAS No.)	Lead(CAS: 7439-92-1)
SCIP	f9144d77-9914-4a45-b8d3-e38e49a9e2d5

Phoenix Contact 2026 © - all rights reserved

<https://www.phoenixcontact.com>

Phoenix Contact USA  
586 Fulling Mill Road  
Middletown, PA 17057, United States  
(+717) 944-1300  
[info@phoenixcon.com](mailto:info@phoenixcon.com)