

SAC-3P-MR/BI-1L-Z SCO 180 - Valve connector



1409724

<https://www.phoenixcontact.com/us/products/1409724>

Please be informed that the data shown in this PDF document is generated from our online catalog. Please find the complete data in the user documentation. Our general terms of use for downloads are valid.



Valve connector, 3-position, Plug angled M12, coding: A, on Valve connector BI (11 mm), with 1 LED, Wiring: Z diode, Pin connector pattern of valve plug rotated 180°

Commercial data

Item number	1409724
Packing unit	1 pc
Minimum order quantity	1 pc
Sales key	BF10
Product key	AF1GDA
GTIN	4046356900683
Weight per piece (including packing)	25.7 g
Weight per piece (excluding packing)	25.7 g
Customs tariff number	85444290
Country of origin	PL

1409724

<https://www.phoenixcontact.com/us/products/1409724>

Technical data

Product properties

Product type	Valve connector adapter
Number of positions	3
No. of cable outlets	1
Coding	A

Insulation characteristics

Overvoltage category	II
Degree of pollution	3

Connection data

Connection method	M12 connector
Tightening torque	0.6 Nm (Valve connector)

Electrical properties

Insulation resistance	$\geq 100 \text{ M}\Omega$
Nominal voltage U_N	24 V AC
	24 V DC
Nominal current I_N	4 A

Mechanical properties

Mechanical data

Insertion/withdrawal cycles	≥ 100
-----------------------------	------------

Material specifications

Flammability rating according to UL 94	HB
Seal material	TPU
Material housing valve plug	TPU
Contact material	CuSn
Contact surface material	Ni/Au
Contact carrier material	PA 66
Contact material	CuSn
Valve plug contact insert material	PA 6.6
Contact surface material	Sn
Material for screw connection	Zinc die-cast, nickel-plated

Signaling

Status display	LED (yellow)
Status display present	yes

Connector

SAC-3P-MR/BI-1L-Z SCO 180 - Valve connector



1409724

<https://www.phoenixcontact.com/us/products/1409724>

Connection 1

Type	Plug angled M12
Number of positions	3
Coding type	A

Connection 2

Type	Valve connector BI (11 mm)
Number of positions	3
Material	CuSn (Contact)
	Sn (Contact surface)
	PA 6.6 (Contact carrier)
	TPU (Housing)
Protective circuit	Z diode

Environmental and real-life conditions

Ambient conditions

Degree of protection	IP65
	IP67
Ambient temperature (operation) (Valve connector)	-25 °C ... 85 °C (Valve connector)

Standards and regulations

M12

Standard designation	M12 connector
Standards/specifications	IEC 61076-2-101

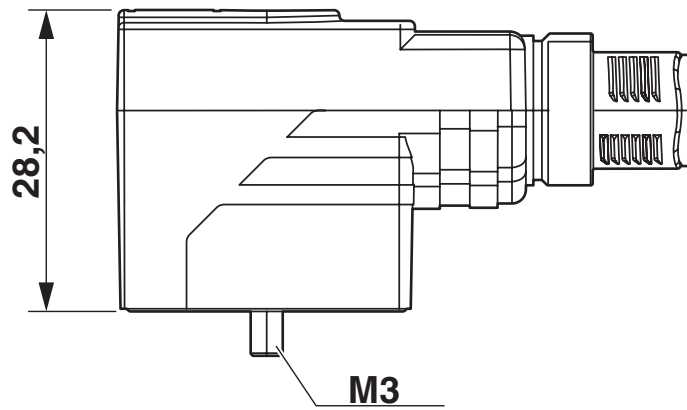
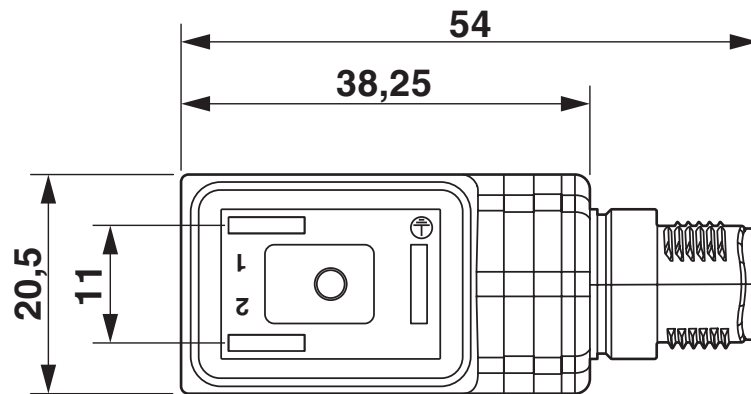
SAC-3P-MR/BI-1L-Z SCO 180 - Valve connector

1409724

<https://www.phoenixcontact.com/us/products/1409724>

Drawings

Dimensional drawing



as illustrated, but with cable outlet rotated 180°

SAC-3P-MR/BI-1L-Z SCO 180 - Valve connector



1409724

<https://www.phoenixcontact.com/us/products/1409724>

Schematic diagram



Pin assignment M12 plug, 3-pos., A-coded, view male side

Schematic diagram



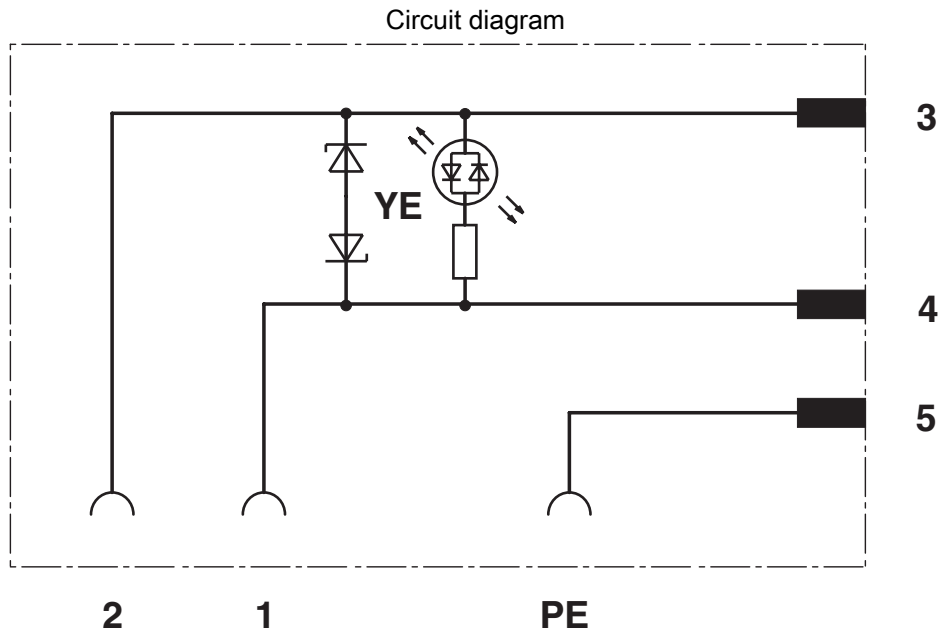
Valve connector pin assignment, type BI

SAC-3P-MR/BI-1L-Z SCO 180 - Valve connector



1409724

<https://www.phoenixcontact.com/us/products/1409724>



SAC-3P-MR/BI-1L-Z SCO 180 - Valve connector




1409724

<https://www.phoenixcontact.com/us/products/1409724>

Approvals

To download certificates, visit the product detail page: <https://www.phoenixcontact.com/us/products/1409724>

 CSAus Approval ID: 13631				
	Nominal voltage U_N	Nominal current I_N	Cross section AWG	Cross section mm^2
keine				
	24 V	4 A	-	-

SAC-3P-MR/BI-1L-Z SCO 180 - Valve connector



1409724

<https://www.phoenixcontact.com/us/products/1409724>

Classifications

ECLASS

ECLASS-13.0	27440105
ECLASS-15.0	27440105

ETIM

ETIM 10.0	EC003623
-----------	----------

UNSPSC

UNSPSC 21.0	31251500
-------------	----------

SAC-3P-MR/BI-1L-Z SCO 180 - Valve connector



1409724

<https://www.phoenixcontact.com/us/products/1409724>

Environmental product compliance

EU RoHS

Fulfills EU RoHS substance requirements	Yes
Exemption	7(c)-I

China RoHS

Environment friendly use period (EFUP)	EFUP-50
	An article-related China RoHS declaration table can be found in the download area for the respective article under "Manufacturer declaration". For all articles with EFUP-E, no China RoHS declaration table issued and required.

EU REACH SVHC

REACH candidate substance (CAS No.)	No substance above 0.1 wt%
-------------------------------------	----------------------------

EF3.1 Climate Change

CO2e kg	0.63 kg CO2e
---------	--------------

Phoenix Contact 2026 © - all rights reserved
<https://www.phoenixcontact.com>

Phoenix Contact USA
586 Fulling Mill Road
Middletown, PA 17057, United States
(+717) 944-1300
info@phoenixcon.com