

HC-KIT-B10-R02 - Connector set

1409707

<https://www.phoenixcontact.com/us/products/1409707>

Please be informed that the data shown in this PDF document is generated from our online catalog. Please find the complete data in the user documentation. Our general terms of use for downloads are valid.

Connector set, consisting of: B10 sleeve housing and panel mounting base, 10-pos. plug and socket insert, M25 cable gland



Commercial data

Item number	1409707
Packing unit	1 pc
Minimum order quantity	1 pc
Sales key	BF63
Product key	AF7AFX
GTIN	4046356752459
Weight per piece (including packing)	492 g
Weight per piece (excluding packing)	473 g
Customs tariff number	85366990
Country of origin	CN

HC-KIT-B10-R02 - Connector set

1409707

<https://www.phoenixcontact.com/us/products/1409707>

Set consists of

G-INS-M25-M68N-NNES-S - Cable gland

1411165

<https://www.phoenixcontact.com/us/products/1411165>



Cable gland, material for screw connection: Brass, nickel-plated, application: Standard, external cable diameter 11 mm ... 17 mm, shielding: no, connecting thread: M25 x 1.5, color: silver-colored, with O-ring

HC-B 10-I-UT-M - Contact insert

1648173

<https://www.phoenixcontact.com/us/products/1648173>



Contact insert, number of positions: 10+PE, size: B10, number of connections per position: 1, Pin, Screw connection, 500 V, 16 A, 0.5 mm² ... 2.5 mm², application: Power

HC-KIT-B10-R02 - Connector set

1409707

<https://www.phoenixcontact.com/us/products/1409707>



HC-STA-B10-HLFS-1STM25-EL-AL - Housing

1412625

<https://www.phoenixcontact.com/us/products/1412625>



Sleeve housing B10, for single locking latch, material: Die-cast aluminum, salt water resistant, cable outlets: 1, lateral, 1x M25, height: 57 mm, cable gland: none, Standard

HC-STA-B10-BWSC-ELC-AL - Housing

1411321

<https://www.phoenixcontact.com/us/products/1411321>



Panel mounting base B10, with single locking latch, material: Die-cast aluminum, salt water resistant, protective cover material: PC, height: 30.5 mm, cable gland: none, protective cover: yes, Standard, with flat gasket

HC-KIT-B10-R02 - Connector set

1409707

<https://www.phoenixcontact.com/us/products/1409707>



HC-B 10-I-UT-F - Contact insert

1648186

<https://www.phoenixcontact.com/us/products/1648186>



Contact insert, number of positions: 10+PE, size: B10, number of connections per position: 1, Socket, Screw connection, 500 V, 16 A, 0.5 mm² ... 2.5 mm², application: Power

HC-KIT-B10-R02 - Connector set

1409707

<https://www.phoenixcontact.com/us/products/1409707>

Technical data

Product properties

Product type	Connector set
Housing type	Complete housing
Application	Power
Type	B10
Number of positions	10
Connection profile	10+PE
No. of cable outlets	1
Seal present	yes
Protective cover	yes
Contact material type	turned
Cable outlet	lateral

Insulation characteristics

Overvoltage category	III
Degree of pollution	3

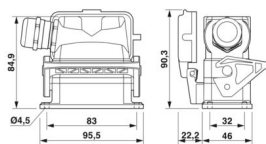
Electrical properties

Rated voltage (III/3)	500 V
Rated surge voltage	6 kV
Rated current	24 A
Nominal voltage U_N	500 V
Nominal current I_N	16 A

Connection data

Connection method	Screw connection
Connection technology	Screw connection
Conductor cross-section	0.5 mm ² ... 2.5 mm ² (applies to stranded conductors with ferrules) 0.5 mm ² ... 2.5 mm ² (applies to stranded conductors with ferrules)
Connection cross section AWG	20 ... 14
Tightening torque	0.5 Nm ... 0.8 Nm

Dimensions

Dimensional drawing	
Width	43 mm
Height	83 mm
Length	93 mm

HC-KIT-B10-R02 - Connector set



1409707

<https://www.phoenixcontact.com/us/products/1409707>

Installation dimensions

Width of the assembly cutout	35 mm
Length of the assembly cutout	65 mm

Material specifications

Material Housing	Die-cast aluminum
Flammability rating according to UL 94	V0
Seal material	NBR, conductive
Contact material	Copper alloy
Contact surface material	Ag
Contact carrier material	PC
Locking latch material	PA

Cable/line

External cable diameter	11 mm ... 17 mm
	14 mm ... 17 mm (for UL 514 B)
External cable diameter	11 mm ... 16 mm

Mechanical properties

Mechanical data

Locking type	Latch
--------------	-------

Environmental and real-life conditions

Ambient conditions

Degree of protection	IP65
Impact strength	IK09
Ambient temperature (operation)	-40 °C ... 100 °C

Mounting

Mounting type	Screw mounting
---------------	----------------

HC-KIT-B10-R02 - Connector set

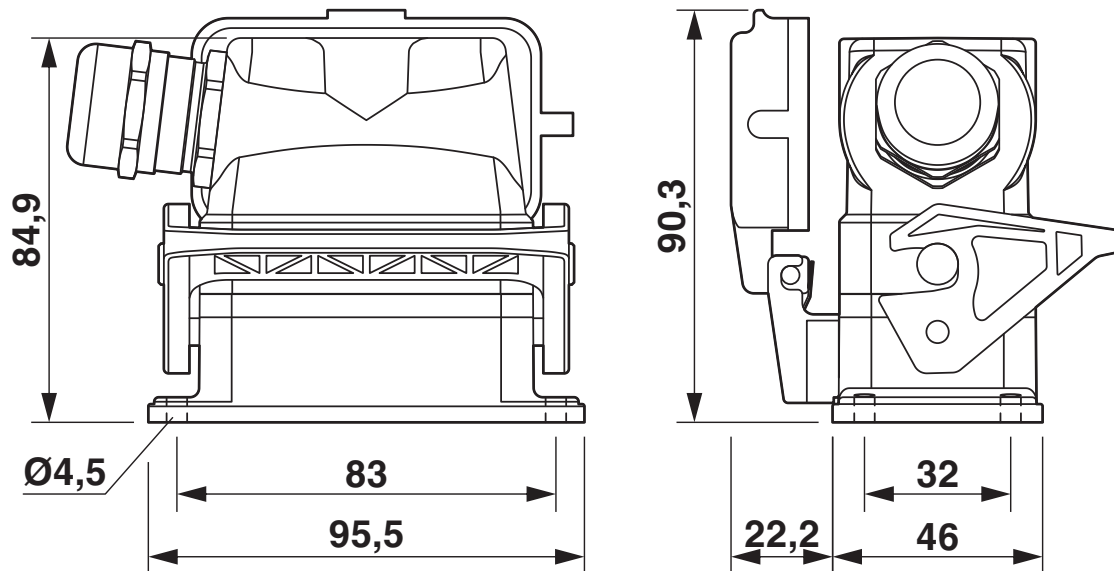


1409707

<https://www.phoenixcontact.com/us/products/1409707>

Drawings

Dimensional drawing



Dimensional drawing

HC-KIT-B10-R02 - Connector set



1409707

<https://www.phoenixcontact.com/us/products/1409707>

Classifications

ECLASS

ECLASS-13.0	27440113
ECLASS-15.0	27440113

ETIM

ETIM 10.0	EC002636
-----------	----------

UNSPSC

UNSPSC 21.0	39121400
-------------	----------

HC-KIT-B10-R02 - Connector set



1409707

<https://www.phoenixcontact.com/us/products/1409707>

Environmental product compliance

EU RoHS

Fulfills EU RoHS substance requirements	Yes
Exemption	6(c)

China RoHS

Environment friendly use period (EFUP)	EFUP-50
	An article-related China RoHS declaration table can be found in the download area for the respective article under "Manufacturer declaration". For all articles with EFUP-E, no China RoHS declaration table issued and required.

EU REACH SVHC

REACH candidate substance (CAS No.)	Lead(CAS: 7439-92-1)
SCIP	cd9c2659-b9a6-40b6-bbc3-a1e40332f337

Phoenix Contact 2026 © - all rights reserved

<https://www.phoenixcontact.com>

Phoenix Contact USA
586 Fulling Mill Road
Middletown, PA 17057, United States
(+717) 944-1300
info@phoenixcon.com