

HC-KIT-B06-R02 - Connector set

1409684

<https://www.phoenixcontact.com/us/products/1409684>

Please be informed that the data shown in this PDF document is generated from our online catalog. Please find the complete data in the user documentation. Our general terms of use for downloads are valid.

Connector set, consisting of: B6 sleeve housing and panel mounting base, 6-pos. plug and socket insert, M20 cable gland



Commercial data

Item number	1409684
Packing unit	1 pc
Minimum order quantity	1 pc
Sales key	BF63
Product key	AF7AFX
GTIN	4046356752435
Weight per piece (including packing)	382.3 g
Weight per piece (excluding packing)	383.3 g
Customs tariff number	85366990
Country of origin	CN

HC-KIT-B06-R02 - Connector set

1409684

<https://www.phoenixcontact.com/us/products/1409684>

Set consists of

G-INS-M20-S68N-NNES-S - Cable gland

1411163

<https://www.phoenixcontact.com/us/products/1411163>

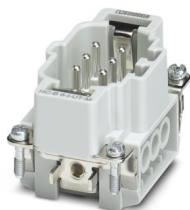


Cable gland, material for screw connection: Brass, nickel-plated, application: Standard, external cable diameter 6 mm ... 12 mm, shielding: no, connecting thread: M20 x 1.5, color: silver-colored, with O-ring

HC-B 6-I-UT-M - Contact insert

1648115

<https://www.phoenixcontact.com/us/products/1648115>



Contact insert, number of positions: 6+PE, size: B6, number of connections per position: 1, Pin, Screw connection, 500 V, 16 A, 0.5 mm² ... 2.5 mm², application: Power

HC-KIT-B06-R02 - Connector set

1409684

<https://www.phoenixcontact.com/us/products/1409684>



HC-STA-B06-HLFS-1STM20-EL-AL - Housing

1412570

<https://www.phoenixcontact.com/us/products/1412570>



Sleeve housing B6, for single locking latch, material: Die-cast aluminum, salt water resistant, cable outlets: 1, lateral, 1x M20, height: 52 mm, cable gland: none, Standard

HC-STA-B06-BWSC-ELC-AL - Housing

1411319

<https://www.phoenixcontact.com/us/products/1411319>



Panel mounting base B6, with single locking latch, material: Die-cast aluminum, salt water resistant, protective cover material: PC, height: 30.5 mm, cable gland: none, protective cover: yes, Standard, with flat gasket

HC-KIT-B06-R02 - Connector set

1409684

<https://www.phoenixcontact.com/us/products/1409684>



HC-B 6-I-UT-F - Contact insert

1648128

<https://www.phoenixcontact.com/us/products/1648128>



Contact insert, number of positions: 6+PE, size: B6, number of connections per position: 1, Socket, Screw connection, 500 V, 16 A, 0.5 mm² ... 2.5 mm², application: Power

HC-KIT-B06-R02 - Connector set

1409684

<https://www.phoenixcontact.com/us/products/1409684>

Technical data

Product properties

Product type	Connector set
Housing type	Complete housing
Application	Power
Type	B6
Number of positions	6
Connection profile	6+PE
No. of cable outlets	1
Seal present	yes
Protective cover	yes
Contact material type	turned
Cable outlet	lateral

Insulation characteristics

Overvoltage category	III
Degree of pollution	3

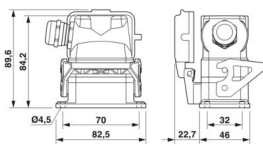
Electrical properties

Rated voltage (III/3)	500 V
Rated surge voltage	6 kV
Rated current	24 A
Nominal voltage U_N	500 V
Nominal current I_N	16 A

Connection data

Connection method	Screw connection
Connection technology	Screw connection
Connection in acc. with standard	IEC / EN
Conductor cross-section	0.5 mm ² ... 2.5 mm ² (applies to stranded conductors with ferrules) 0.5 mm ² ... 2.5 mm ² (applies to stranded conductors with ferrules)
Connection cross section AWG	20 ... 14
Tightening torque	0.8 Nm ... 1.2 Nm (PE connection) 0.5 Nm ... 0.8 Nm (Mounting screws for mounting in the HEAVYCON housing) 0.5 Nm ... 0.8 Nm

Dimensions

Dimensional drawing	
---------------------	--

HC-KIT-B06-R02 - Connector set



1409684

<https://www.phoenixcontact.com/us/products/1409684>

Width	43 mm
Height	83 mm
Length	80 mm

Installation dimensions

Width of the assembly cutout	35 mm
Length of the assembly cutout	52 mm

Material specifications

Material Housing	Die-cast aluminum
Flammability rating according to UL 94	V0
Seal material	NBR, conductive
Contact material	Copper alloy
Contact surface material	Ag
Contact carrier material	PC
Locking latch material	PA

Cable/line

External cable diameter	6 mm ... 12 mm
	10 mm ... 12 mm (for UL 514 B)
External cable diameter	9 mm ... 13 mm

Mechanical properties

Mechanical data

Locking type	Latch
--------------	-------

Environmental and real-life conditions

Ambient conditions

Degree of protection	IP65
Impact strength	IK09
Ambient temperature (operation)	-40 °C ... 100 °C

Mounting

Mounting type	Screw mounting
---------------	----------------

HC-KIT-B06-R02 - Connector set

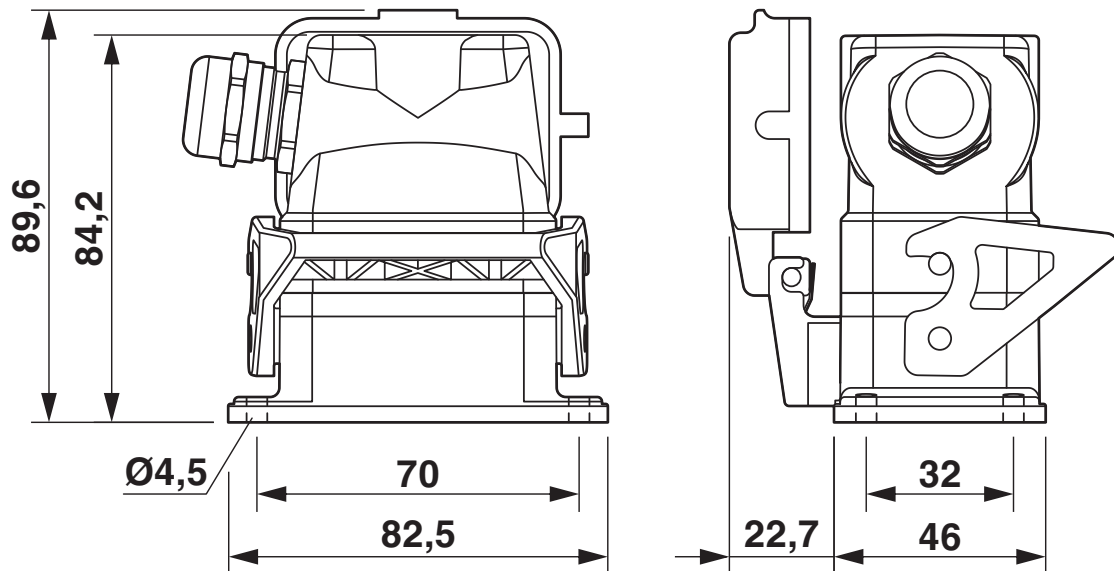


1409684

<https://www.phoenixcontact.com/us/products/1409684>

Drawings

Dimensional drawing



Dimensional drawing

HC-KIT-B06-R02 - Connector set



1409684

<https://www.phoenixcontact.com/us/products/1409684>

Classifications

ECLASS

ECLASS-13.0	27440113
ECLASS-15.0	27440113

ETIM

ETIM 10.0	EC002636
-----------	----------

UNSPSC

UNSPSC 21.0	39121400
-------------	----------

HC-KIT-B06-R02 - Connector set



1409684

<https://www.phoenixcontact.com/us/products/1409684>

Environmental product compliance

EU RoHS

Fulfills EU RoHS substance requirements	Yes
Exemption	6(c)

China RoHS

Environment friendly use period (EFUP)	EFUP-50
	An article-related China RoHS declaration table can be found in the download area for the respective article under "Manufacturer declaration". For all articles with EFUP-E, no China RoHS declaration table issued and required.

EU REACH SVHC

REACH candidate substance (CAS No.)	Lead(CAS: 7439-92-1)
SCIP	48e135de-2f87-498d-a63b-cfdd0ae1f03a

Phoenix Contact 2026 © - all rights reserved

<https://www.phoenixcontact.com>

Phoenix Contact USA
586 Fulling Mill Road
Middletown, PA 17057, United States
(+717) 944-1300
info@phoenixcon.com