

SAC-HZ-4P-M12MS/ 2,0-542 BK - Sensor/actuator cable



1409564

<https://www.phoenixcontact.com/us/products/1409564>

Please be informed that the data shown in this PDF document is generated from our online catalog. Please find the complete data in the user documentation. Our general terms of use for downloads are valid.

Sensor/actuator cable, 4-position, PVC, yellow, Plug straight M12, coding: A, on free cable end, cable length: 2 m



Commercial data

Item number	1409564
Packing unit	1 pc
Minimum order quantity	1 pc
Note	Made to order (non-returnable)
Sales key	BF13
Product key	AF1IGB
GTIN	4055626018201
Weight per piece (including packing)	22.22 g
Weight per piece (excluding packing)	22.22 g
Customs tariff number	85444290
Country of origin	US

SAC-HZ-4P-M12MS/ 2,0-542 BK - Sensor/actuator cable



1409564

<https://www.phoenixcontact.com/us/products/1409564>

Technical data

Product properties

Product type	Sensor/actuator cable
Application	U.S. cables for hazardous locations
Number of positions	4
No. of cable outlets	1
Shielded	no
Coding	A

Insulation characteristics

Overvoltage category	II
Degree of pollution	3

Material specifications

Material	TPE-U (Locking clip)
Flammability rating according to UL 94	HB
Seal material	NBR
Material of grip body	TPU, hardly inflammable, self-extinguishing
Contact material	CuSn
Contact surface material	Ni/Au
Contact carrier material	TPU GF
Material for screw connection	Zinc die-cast, nickel-plated
Outer sheath, material	PVC

Electrical properties

Insulation resistance	$\geq 100 \text{ M}\Omega$
Nominal voltage U_N	250 V AC 250 V DC
Nominal current I_N	4 A

Mechanical properties

Mechanical data

Insertion/withdrawal cycles	≥ 100
-----------------------------	------------

Signaling

Status display	no
Status display present	no

Connection data

Conductor connection

Tightening torque	0.4 Nm (M12 connector)
-------------------	------------------------

SAC-HZ-4P-M12MS/ 2,0-542 BK - Sensor/actuator cable



1409564

<https://www.phoenixcontact.com/us/products/1409564>

Connector

Connection 1

Type	Plug straight M12
Coding type	A

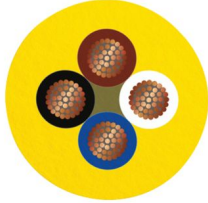
Connection 2

Type	free cable end
------	----------------

Cable/line

Cable length	2 m
--------------	-----

PVC yellow 105 °C [542]

Dimensional drawing	
Cable weight	36 kg/km
UL AWM Style	2517 (105 °C / 300 V)
Number of positions	4
Shielded	no
Cable type	PVC yellow 105 °C [542]
Conductor structure signal line	7x 0.25 mm
AWG signal line	22
Wire diameter incl. insulation	1.27 mm ±0.03 mm
External cable diameter	5.00 mm ±0.2 mm
Outer sheath, material	PVC
External sheath, color	yellow
Conductor material	Tin-plated Cu litz wires
Material wire insulation	PVC
Single wire, color	brown, blue, black, white
Overall twist	4 wires, twisted
Max. conductor resistance	max. 50.5 Ω/km (20 °C)
Insulation resistance	≥ (550 M Ohms/m @ 500V)
Nominal voltage, cable	300 V
Minimum bending radius, flexible installation	8 x D
Smallest bending radius, movable installation	40 mm
Flame resistance	FT4
Other resistance	UV resistant
Special properties	UL standards PLTC and ITC

SAC-HZ-4P-M12MS/ 2,0-542 BK - Sensor/actuator cable



1409564

<https://www.phoenixcontact.com/us/products/1409564>

Ambient temperature (operation)	-30 °C ... 105 °C (cable, fixed installation)
	-5 °C ... 105 °C (Cable, flexible installation)

Environmental and real-life conditions

Ambient conditions

Degree of protection	IP65
	IP67
	IP68
Ambient temperature (operation) (male connector/female connector)	-25 °C ... 90 °C (Plug / socket)
Ambient temperature (operation) (Locking clip)	-40 °C ... 65 °C (Locking clip)

Approvals

Conformity/Approvals

UL, USA / Canada	Class I, Div. 2, Groups A, B, C, D
------------------	------------------------------------

Standards and regulations

Standard designation	M12 connector
Standards/specifications	IEC 61076-2-101

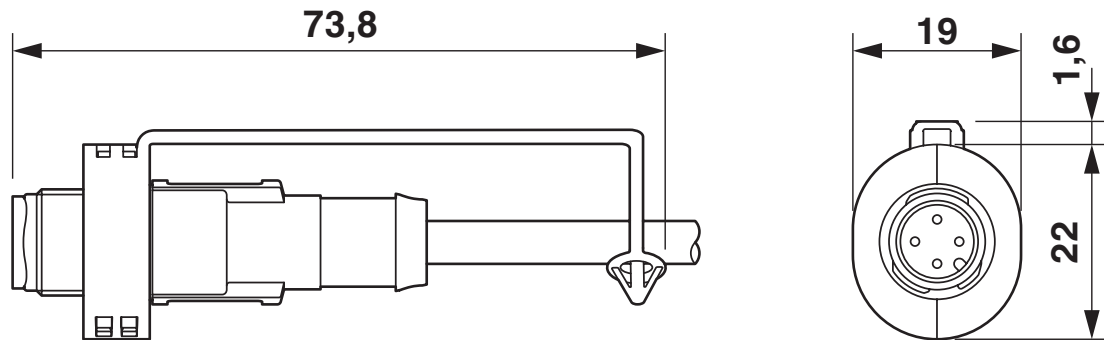
SAC-HZ-4P-M12MS/ 2,0-542 BK - Sensor/actuator cable

1409564

<https://www.phoenixcontact.com/us/products/1409564>

Drawings

Dimensional drawing



EXCLIP mounted plug

Dimensional drawing



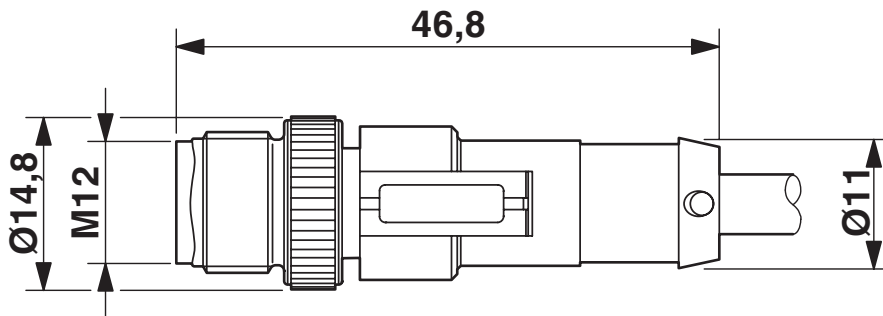
EXCLIP plug

SAC-HZ-4P-M12MS/ 2,0-542 BK - Sensor/actuator cable

1409564

<https://www.phoenixcontact.com/us/products/1409564>

Dimensional drawing



Plug, M12 x 1, straight

Schematic diagram



Pin assignment M12 plug, 4-pos., A-coded, view plug side

SAC-HZ-4P-M12MS/ 2,0-542 BK - Sensor/actuator cable



1409564

<https://www.phoenixcontact.com/us/products/1409564>

Circuit diagram



Contact assignment of the M12 plug

SAC-HZ-4P-M12MS/ 2,0-542 BK - Sensor/actuator cable



1409564

<https://www.phoenixcontact.com/us/products/1409564>

Approvals

To download certificates, visit the product detail page: <https://www.phoenixcontact.com/us/products/1409564>

 cUL Listed Approval ID: FILE E 359524				
	Nominal voltage U_N	Nominal current I_N	Cross section AWG	Cross section mm^2
keine				
	150 V	4 A	-	-

 UL Listed Approval ID: FILE E 359524				
	Nominal voltage U_N	Nominal current I_N	Cross section AWG	Cross section mm^2
keine				
	150 V	4 A	-	-

SAC-HZ-4P-M12MS/ 2,0-542 BK - Sensor/actuator cable



1409564

<https://www.phoenixcontact.com/us/products/1409564>

Classifications

ECLASS

ECLASS-13.0	27060311
ECLASS-15.0	27060311

ETIM

ETIM 10.0	EC001855
-----------	----------

UNSPSC

UNSPSC 21.0	26121600
-------------	----------

SAC-HZ-4P-M12MS/ 2,0-542 BK - Sensor/actuator cable



1409564

<https://www.phoenixcontact.com/us/products/1409564>

Environmental product compliance

EU RoHS

Fulfills EU RoHS substance requirements	Yes, No exemptions
---	--------------------

China RoHS

Environment friendly use period (EFUP)	EFUP-E
	No hazardous substances above the limits

EU REACH SVHC

REACH candidate substance (CAS No.)	No substance above 0.1 wt%
-------------------------------------	----------------------------

Phoenix Contact 2026 © - all rights reserved
<https://www.phoenixcontact.com>

Phoenix Contact USA
586 Fulling Mill Road
Middletown, PA 17057, United States
(+717) 944-1300
info@phoenixcon.com