

# PROT-M12FS VPE1000 - Sealing cap



1409252

<https://www.phoenixcontact.com/us/products/1409252>

Please be informed that the data shown in this PDF document is generated from our online catalog. Please find the complete data in the user documentation. Our general terms of use for downloads are valid.



M12 sealing cap for unoccupied M12 plugs of the sensor/actuator cable, flush-type plugs and I/O devices in the field

## Your advantages

- Reliable protection of unoccupied slots during transport and use in the field
- Protected against splash water and dust by the internal seal
- Good haptics due to ribbing on the cap
- Easy assembly without tools

## Commercial data

|                                      |                                |
|--------------------------------------|--------------------------------|
| Item number                          | 1409252                        |
| Packing unit                         | 1,000 pc                       |
| Minimum order quantity               | 1,000 pc                       |
| Note                                 | Made to order (non-returnable) |
| Sales key                            | BF46                           |
| Product key                          | AF3ZAX                         |
| GTIN                                 | 4046356865111                  |
| Weight per piece (including packing) | 1.483 g                        |
| Weight per piece (excluding packing) | 1.4 g                          |
| Customs tariff number                | 39269097                       |
| Country of origin                    | DE                             |

# PROT-M12FS VPE1000 - Sealing cap



1409252

<https://www.phoenixcontact.com/us/products/1409252>

## Technical data

### Material specifications

|  |     |
|--|-----|
| Flammability rating according to UL 94 | HB  |
| Seal material                          | NBR |

### Environmental and real-life conditions

#### Ambient conditions

|   |                  |
|---|------------------|
| Degree of protection  | IP67             |
| Ambient temperature (operation) (male connector/female connector) | -40 °C ... 90 °C |

# PROT-M12FS VPE1000 - Sealing cap

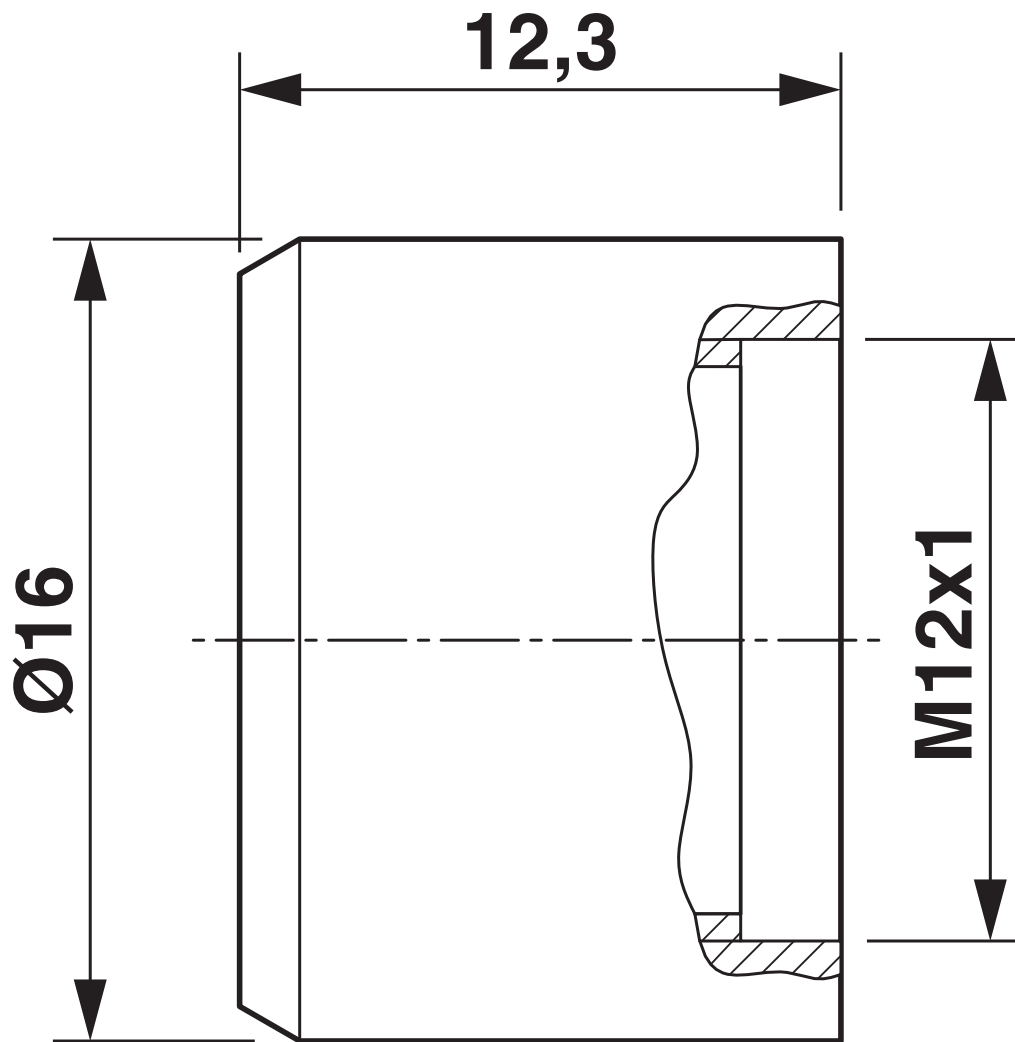


1409252

<https://www.phoenixcontact.com/us/products/1409252>

## Drawings

Dimensional drawing



# PROT-M12FS VPE1000 - Sealing cap



1409252

<https://www.phoenixcontact.com/us/products/1409252>

## Classifications

### ECLASS

|             |          |
|-------------|----------|
| ECLASS-13.0 | 23111190 |
| ECLASS-15.0 | 27440192 |

### ETIM

|           |          |
|-----------|----------|
| ETIM 10.0 | EC002374 |
|-----------|----------|

### UNSPSC

|             |          |
|-------------|----------|
| UNSPSC 21.0 | 39121100 |
|-------------|----------|

# PROT-M12FS VPE1000 - Sealing cap



1409252

<https://www.phoenixcontact.com/us/products/1409252>

## Environmental product compliance

### EU RoHS

|   |                    |
|---|--------------------|
| Fulfills EU RoHS substance requirements | Yes, No exemptions |
|---|--------------------|

### China RoHS

|  |  |
|--|--|
| Environment friendly use period (EFUP) | EFUP-E                                   |
|  | No hazardous substances above the limits |

### EU REACH SVHC

|                                     |                            |
|-------------------------------------|----------------------------|
| REACH candidate substance (CAS No.) | No substance above 0.1 wt% |
|-------------------------------------|----------------------------|

Phoenix Contact 2026 © - all rights reserved  
<https://www.phoenixcontact.com>

Phoenix Contact USA  
586 Fulling Mill Road  
Middletown, PA 17057, United States  
(+717) 944-1300  
[info@phoenixcon.com](mailto:info@phoenixcon.com)