

# HC-B-TMS-ERSSCHR-IMB - Screw



1409244

<https://www.phoenixcontact.com/us/products/1409244>

Please be informed that the data shown in this PDF document is generated from our online catalog. Please find the complete data in the user documentation. Our general terms of use for downloads are valid.



Replacement locking screw, M6, stainless steel, for HEAVYCON-ADVANCE housing, HC-B...  
TMS...EEE design, 5 mm Allen screw

## Commercial data

Item number	1409244
Packing unit	10 pc
Minimum order quantity	1 pc
Product key	AF7AAZ
GTIN	4046356617512
Weight per piece (including packing)	6.71 g
Weight per piece (excluding packing)	6.71 g
Country of origin	DE

# HC-B-TMS-ERSSCHR-IMB - Screw



1409244

<https://www.phoenixcontact.com/us/products/1409244>

## Technical data

### Product properties

Product type	Mounting material
--------------	-------------------

### Material specifications

Locking latch material	Stainless steel
------------------------	-----------------

# HC-B-TMS-ERSSCHR-IMB - Screw

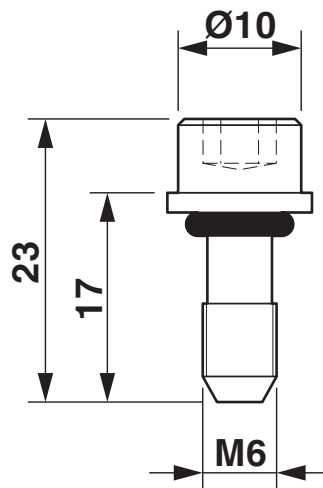
1409244

<https://www.phoenixcontact.com/us/products/1409244>



## Drawings

Dimensional drawing



Dimensional drawing

# HC-B-TMS-ERSSCHR-IMB - Screw



1409244

<https://www.phoenixcontact.com/us/products/1409244>

## Environmental product compliance

### EU RoHS

Fulfills EU RoHS substance requirements	Yes, No exemptions
---	--------------------

### China RoHS

Environment friendly use period (EFUP)	EFUP-E
	No hazardous substances above the limits

### EU REACH SVHC

REACH candidate substance (CAS No.)	No substance above 0.1 wt%
-------------------------------------	----------------------------

Phoenix Contact 2026 © - all rights reserved  
<https://www.phoenixcontact.com>

Phoenix Contact USA  
586 Fulling Mill Road  
Middletown, PA 17057, United States  
(+717) 944-1300  
[info@phoenixcon.com](mailto:info@phoenixcon.com)