

SAC-4P-Y/2XFS B S21 SCO - Y distributor



1409204

<https://www.phoenixcontact.com/us/products/1409204>

Please be informed that the data shown in this PDF document is generated from our online catalog. Please find the complete data in the user documentation. Our general terms of use for downloads are valid.



Y distributor, 5-position, Plug straight M12 SPEEDCON, coding: A, on Socket straight M12 SPEEDCON, coding: A, PIN 2+4 bridged and Socket straight M12 SPEEDCON, coding: A, PIN 2+4 bridged, Thread M12 socket not rotatable

Commercial data

Item number	1409204
Packing unit	5 pc
Minimum order quantity	5 pc
Note	Made to order (non-returnable)
Sales key	BF10
Product key	AF1GAB
GTIN	4046356865036
Weight per piece (including packing)	30 g
Weight per piece (excluding packing)	29.72 g
Customs tariff number	85366990
Country of origin	PL

SAC-4P-Y/2XFS B S21 SCO - Y distributor



1409204

<https://www.phoenixcontact.com/us/products/1409204>

Coding type	A
-------------	---

Connection 2

Type	Socket straight M12 SPEEDCON
Locking type	SPEEDCON
Coding type	A

Connection 3

Type	Socket straight M12 SPEEDCON
Locking type	SPEEDCON
Coding type	A

Mechanical properties

Mechanical data

Insertion/withdrawal cycles	≥ 100
-----------------------------	-------

Environmental and real-life conditions

Ambient conditions

Degree of protection	IP65
	IP67
Ambient temperature (operation)	-25 °C ... 90 °C (Plug / socket)

Standards and regulations

Standard designation	M12 connector
Standards/specifications	IEC 61076-2-101

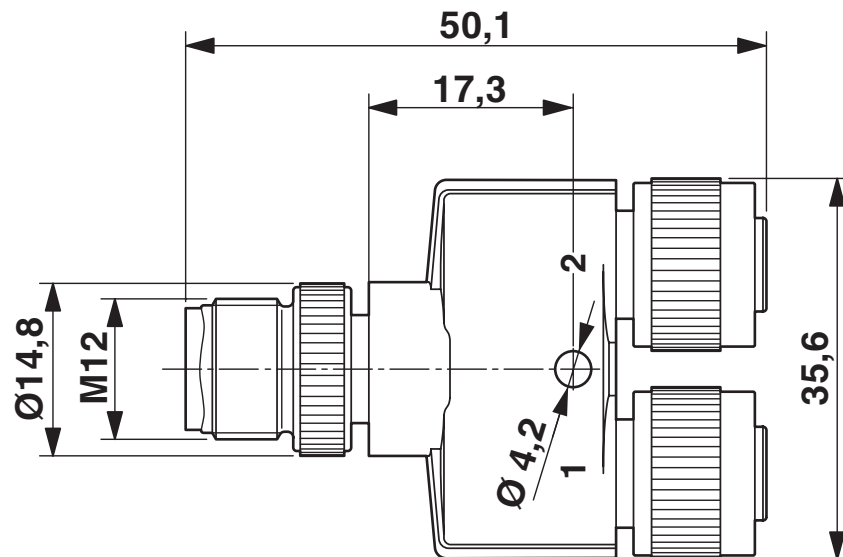
SAC-4P-Y/2XFS B S21 SCO - Y distributor

1409204

<https://www.phoenixcontact.com/us/products/1409204>

Drawings

Dimensional drawing



Plug M12 x 1, Y distributor, inner gauge of 21 mm

Schematic diagram



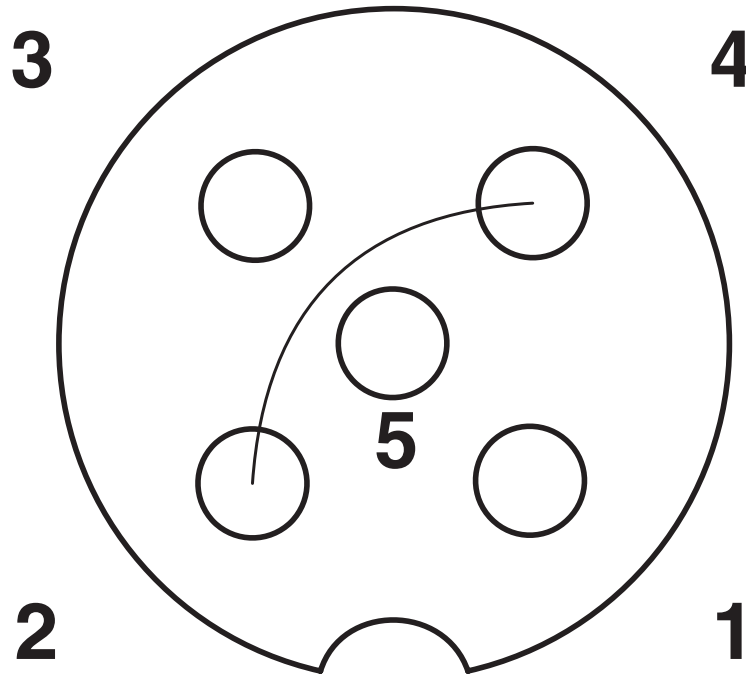
Pin assignment M12 male connector, 5-pos., A-coded, male side

SAC-4P-Y/2XFS B S21 SCO - Y distributor

1409204

<https://www.phoenixcontact.com/us/products/1409204>

Schematic diagram



Pin assignment M12 socket, 5-pos., PIN 2+4 bridged, A-coded, socket side view

Schematic diagram

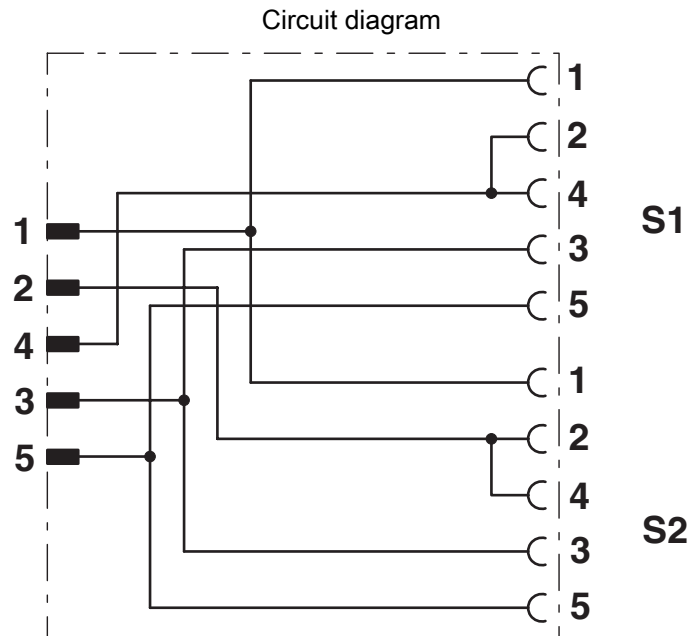


Layout of connector pin assignments

SAC-4P-Y/2XFS B S21 SCO - Y distributor

1409204

<https://www.phoenixcontact.com/us/products/1409204>



Contact assignment of the M12 Y distributor

SAC-4P-Y/2XFS B S21 SCO - Y distributor





1409204

<https://www.phoenixcontact.com/us/products/1409204>

Approvals

To download certificates, visit the product detail page: <https://www.phoenixcontact.com/us/products/1409204>

 UL Listed Approval ID: E221474				
	Nominal voltage U_N	Nominal current I_N	Cross section AWG	Cross section mm^2
keine				
	30 V	4 A	-	-

 cUL Listed Approval ID: E221474				
	Nominal voltage U_N	Nominal current I_N	Cross section AWG	Cross section mm^2
keine				
	30 V	4 A	-	-

SAC-4P-Y/2XFS B S21 SCO - Y distributor



1409204

<https://www.phoenixcontact.com/us/products/1409204>

Classifications

ECLASS

ECLASS-13.0	27440106
ECLASS-15.0	27440106

ETIM

ETIM 10.0	EC002925
-----------	----------

UNSPSC

UNSPSC 21.0	31251500
-------------	----------

SAC-4P-Y/2XFS B S21 SCO - Y distributor



1409204

<https://www.phoenixcontact.com/us/products/1409204>

Environmental product compliance

EU RoHS

Fulfills EU RoHS substance requirements	Yes, No exemptions
---	--------------------

China RoHS

Environment friendly use period (EFUP)	EFUP-E
	No hazardous substances above the limits

EU REACH SVHC

REACH candidate substance (CAS No.)	No substance above 0.1 wt%
-------------------------------------	----------------------------

EF3.1 Climate Change

CO2e kg	1.368 kg CO2e
---------	---------------

Phoenix Contact 2026 © - all rights reserved
<https://www.phoenixcontact.com>

Phoenix Contact USA
586 Fulling Mill Road
Middletown, PA 17057, United States
(+717) 944-1300
info@phoenixcon.com