

# CUC-V06-F1PBK-S/UBA/UBB - Panel-mount frame



1409117

<https://www.phoenixcontact.com/us/products/1409117>

Please be informed that the data shown in this PDF document is generated from our online catalog. Please find the complete data in the user documentation. Our general terms of use for downloads are valid.

Panel-mount frame, degree of protection: IP65/IP67



## Commercial data

Item number	1409117
Packing unit	5 pc
Minimum order quantity	5 pc
Note	Made to order (non-returnable)
Product key	ABNNFC
GTIN	4046356862219
Weight per piece (including packing)	18.16 g
Weight per piece (excluding packing)	18.16 g
Country of origin	DE

1409117

<https://www.phoenixcontact.com/us/products/1409117>

## Technical data

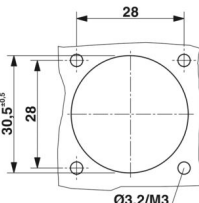
### Product properties

Product type	Panel-mount frame
--------------	-------------------

### Electrical properties

Transmission medium	Copper
---------------------	--------

### Dimensions

Dimensional drawing	
Width	36 mm
Height	36 mm
Length	46.6 mm

### Material specifications

Flammability rating according to UL 94	V0
Seal material, flat gasket	NBR

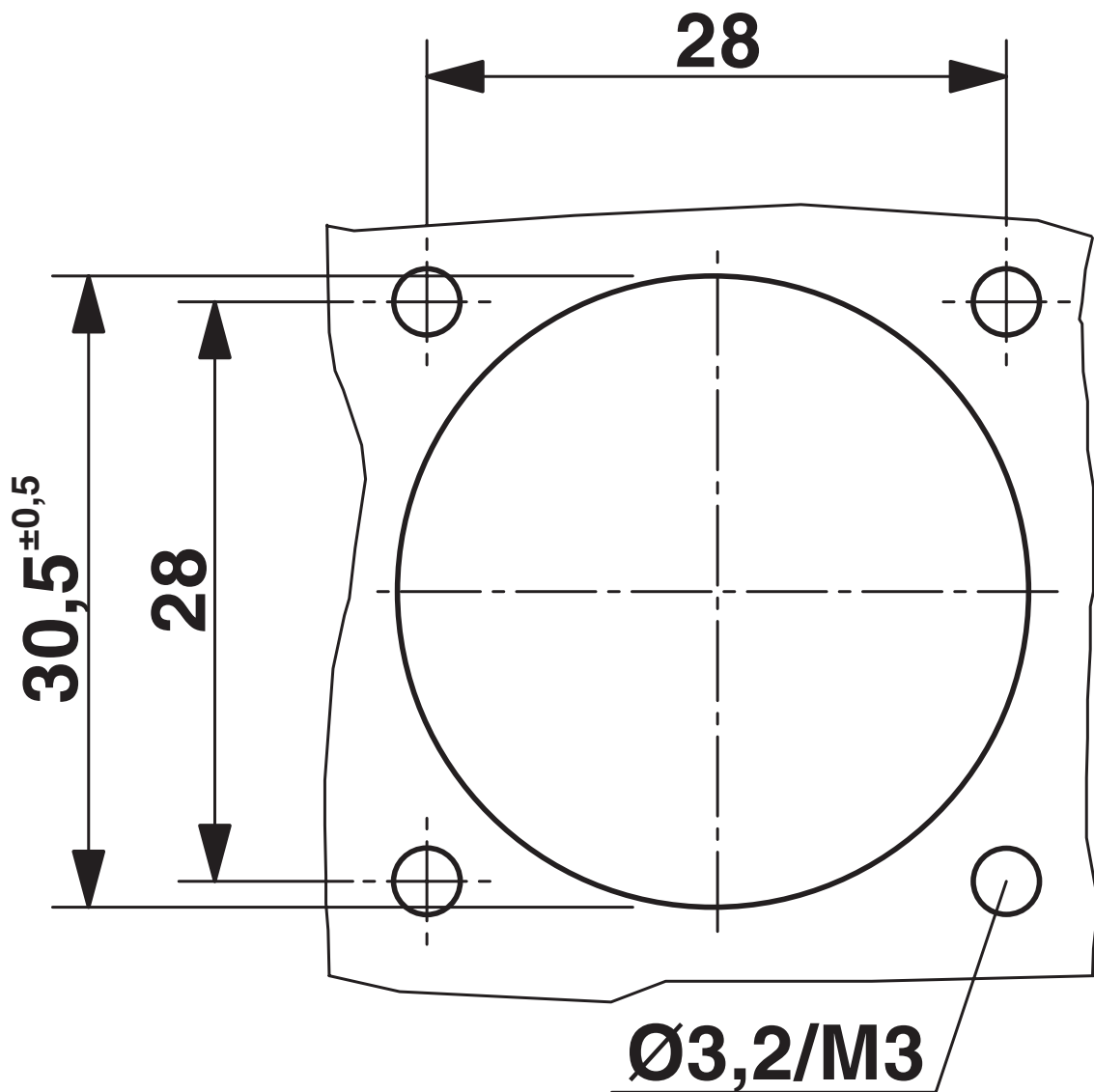
### Environmental and real-life conditions

#### Ambient conditions

Degree of protection	IP65/IP67
----------------------	-----------

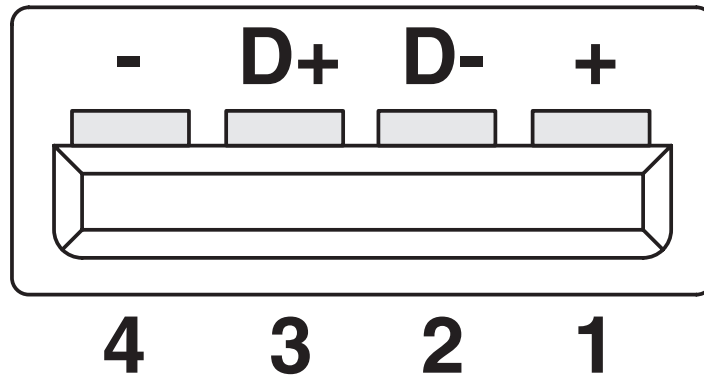
Drawings

Dimensional drawing



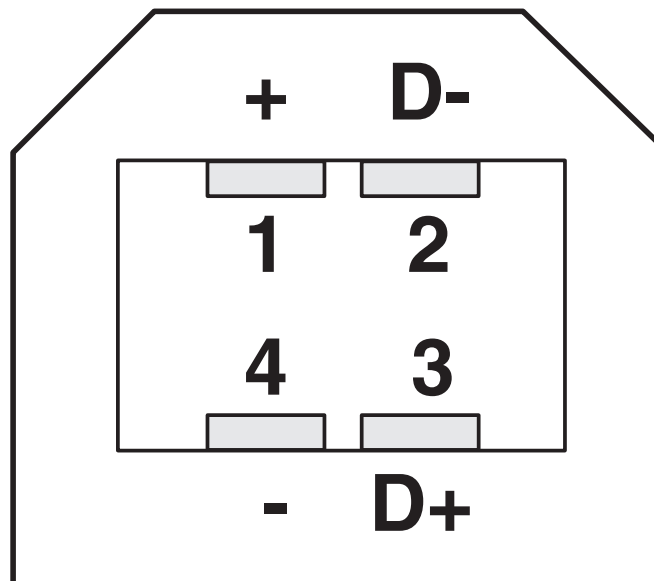
Mounting cutout

Schematic diagram



Pin assignment socket USB, type A

Schematic diagram



Pin assignment socket USB, type B

# CUC-V06-F1PBK-S/UBA/UBB - Panel-mount frame



1409117

<https://www.phoenixcontact.com/us/products/1409117>

## Classifications

### ECLASS

ECLASS-13.0	27440390
ECLASS-15.0	27440318

### ETIM

ETIM 10.0	EC002597
-----------	----------

### UNSPSC

UNSPSC 21.0	39121400
-------------	----------

# CUC-V06-F1PBK-S/UBA/UBB - Panel-mount frame



1409117

<https://www.phoenixcontact.com/us/products/1409117>

## Environmental product compliance

### EU RoHS

Fulfills EU RoHS substance requirements	Yes, No exemptions
---	--------------------

### China RoHS

Environment friendly use period (EFUP)	EFUP-E
	No hazardous substances above the limits

### EU REACH SVHC

REACH candidate substance (CAS No.)	No substance above 0.1 wt%
-------------------------------------	----------------------------

### EF3.1 Climate Change

CO2e kg	0.987 kg CO2e
---------	---------------

Phoenix Contact 2026 © - all rights reserved  
<https://www.phoenixcontact.com>

Phoenix Contact USA  
586 Fulling Mill Road  
Middletown, PA 17057, United States  
(+717) 944-1300  
[info@phoenixcon.com](mailto:info@phoenixcon.com)