

HC-MOT-TML-SET - Housing set

1409066

<https://www.phoenixcontact.com/us/products/1409066>

Please be informed that the data shown in this PDF document is generated from our online catalog. Please find the complete data in the user documentation. Our general terms of use for downloads are valid.

Motor connector for three-phase drive, metal housing with EMC sleeves incl. push-in contact insert, with screw connections (power and control circuit). With filler plugs in the control cable screw connection, 4-pos. control circuit, with star-delta bridge, with IP54 protective cover.



Commercial data

Item number	1409066
Packing unit	1 pc
Minimum order quantity	1 pc
Sales key	AB01
Product key	ABLADE
GTIN	4046356619363
Weight per piece (including packing)	290.8 g
Weight per piece (excluding packing)	264.017 g
Customs tariff number	79070000
Country of origin	DE

Technical data

Notes

Safety note

Safety note

WARNING: The connectors may not be plugged in or disconnected under load. Ignoring the warning or improper use may damage persons and/or property.

- WARNING: Commission properly functioning products only. The products must be regularly inspected for damage. Decommission defective products immediately. Replace damaged products. Repairs are not possible.

- WARNING: Only electrically qualified personnel may install and operate the product. They must observe the following safety notes. The qualified personnel must be familiar with the basics of electrical engineering. They must be able to recognize and prevent danger. The relevant symbol on the packaging indicates that only personnel familiar with electrical engineering are allowed to install and operate the product.

- The products are suitable for applications in plant, controller, and electrical device engineering.

- When operating the connectors in outdoor applications, they must be separately protected against environmental influences.

- Assembled products may not be manipulated or improperly opened.

- Only use mating connectors that are specified in the technical data of the standards listed (e.g. the ones listed in the product accessories online at [phoenixcontact.com/products](https://www.phoenixcontact.com/products)).

- When using the product in direct connection with third-party manufacturers, the user is responsible.

- For operating voltages > 50 V AC, conductive connector housings must be grounded

- Ensure that the protective or functional ground has been properly connected.

- VDE 0100/1.97 § 411.1.3.2 and DIN EN 60 204/11.98 § 14.1.3 are applicable when combining several circuits in a cable and/or connector

- Observe the corresponding technical data. You will find information:

- o On the product

- o On the packing label

- o In the supplied documentation

- o Online at [phoenixcontact.com/products](https://www.phoenixcontact.com/products) under the product

- Only use tools recommended by Phoenix Contact

- The installation notes/Design In documents online on the download page at [phoenixcontact.com/products](https://www.phoenixcontact.com/products) must be observed for this product.

- Use a protective cap to protect connectors that are not in use. The suitable accessories are available online in the accessory section of the product at [phoenixcontact.com/products](https://www.phoenixcontact.com/products)

- Operate the connector only when it is fully plugged in.

- Ensure that when laying the cable, the tensile load on the connectors does not exceed the upper limit specified in the

HC-MOT-TML-SET - Housing set



1409066

<https://www.phoenixcontact.com/us/products/1409066>

	standards.
	<ul style="list-style-type: none"> • Observe the minimum bending radius of the cable. Lay the cable without twisting it.
	<ul style="list-style-type: none"> • The connector warms up in normal operation. Depending on the ambient conditions, the surface of the connector can continue to warm up. In this case, the user is responsible for posting warnings (e.g. DIN EN ISO 13732-1:2008-12).

Product properties

Product type	Housing with locking latch
Housing type	Sleeve housing
Product family	VARIOCON
Application	Standard
Type	MOT
No. of cable outlets	2
Cable outlet	straight

Insulation characteristics

Degree of pollution	3
---------------------	---

Dimensions

Dimensional drawing	
Width	70.3 mm
Height	131.8 mm
Length	31.5 mm

Material specifications

Color of the housing part	gray
Material Housing	Polyamide
Material Seal	EPDM
Material Contact carrier	PA
Material Contact	CuZn
Flammability rating according to UL 94	V0
Insulating material group	I
Material, insert	FPM
Cable seal material	FKM
Contact surface material	Au
Material of contact surface, control contact	Au
O-ring material	FKM

HC-MOT-TML-SET - Housing set



1409066

<https://www.phoenixcontact.com/us/products/1409066>

Locking latch material	Stainless steel
Material for screw connection	CuZn

Mechanical properties

Mechanical data

Insertion/withdrawal cycles	≥ 100
-----------------------------	-------

Cable/line

External cable diameter Cable 1	7 mm ... 14.5 mm (Unshielded cable)
Stripping length of the individual wire	12 mm (Push-in Technology)

Connection data

External cable diameter	7 mm ... 14.5 mm (Unshielded cable)
-------------------------	-------------------------------------

Environmental and real-life conditions

Ambient conditions

Degree of protection	IP67
	IP67
Ambient temperature (operation)	-30 °C ... 100 °C

HC-MOT-TML-SET - Housing set

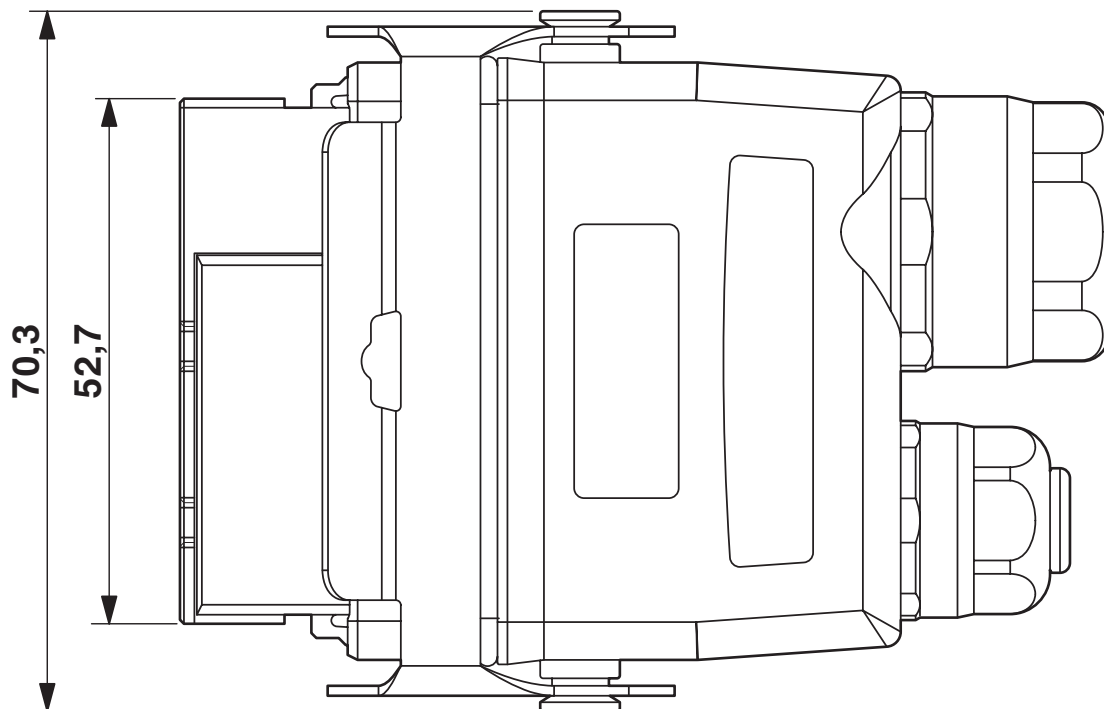
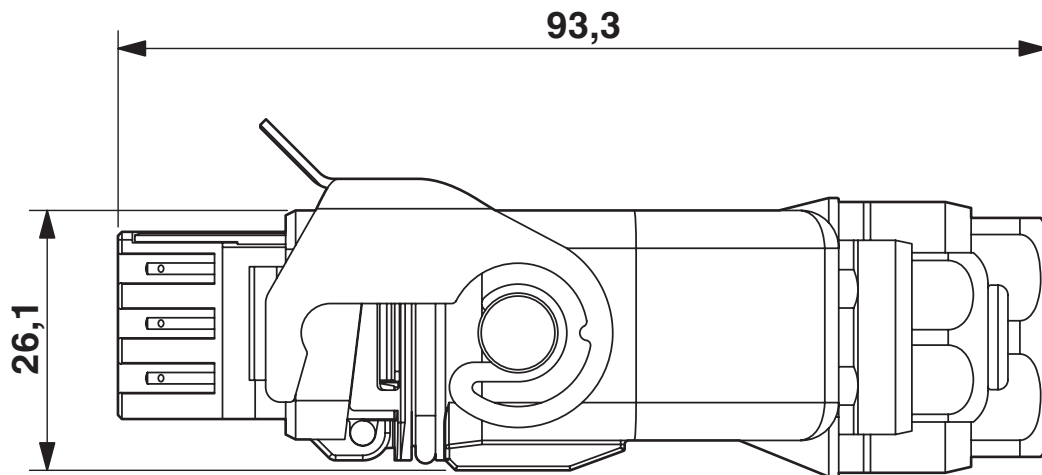


1409066

<https://www.phoenixcontact.com/us/products/1409066>

Drawings

Dimensional drawing



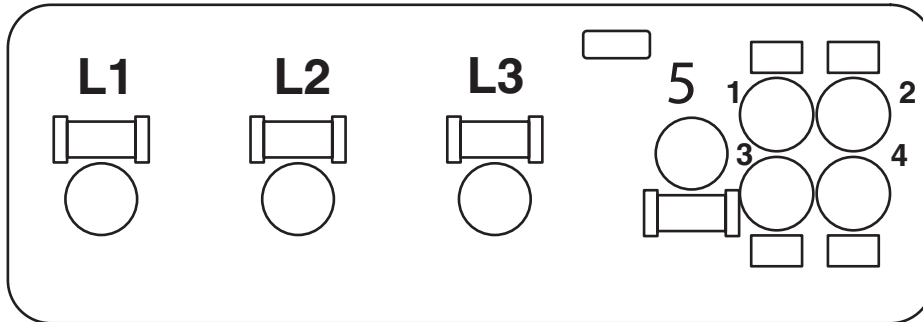
Dimensional drawing

HC-MOT-TML-SET - Housing set

1409066

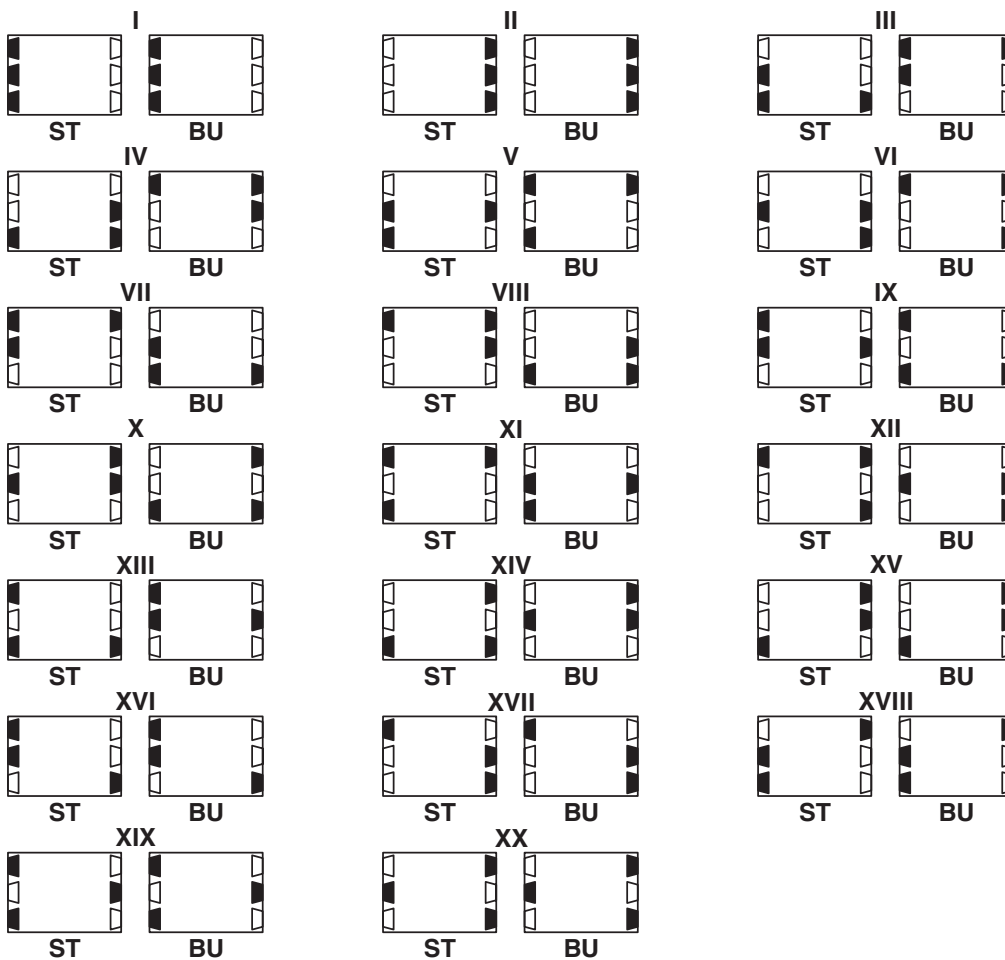
<https://www.phoenixcontact.com/us/products/1409066>

Schematic diagram



Connector pin assignment, connection side

Schematic diagram

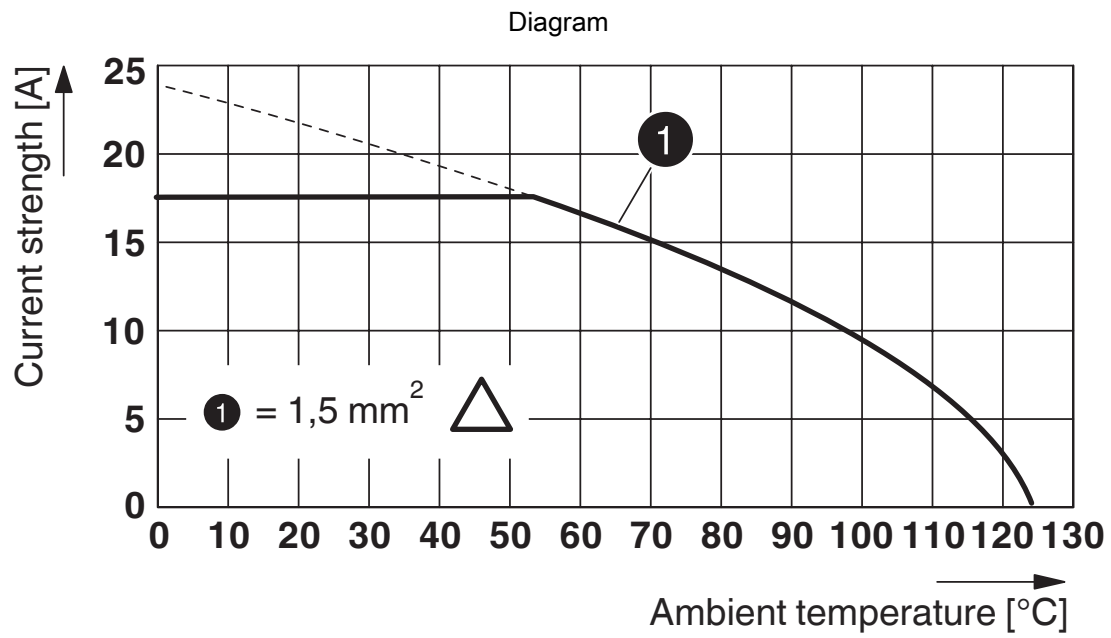


Coding scheme

HC-MOT-TML-SET - Housing set

1409066

<https://www.phoenixcontact.com/us/products/1409066>



Derating diagram

HC-MOT-TML-SET - Housing set





1409066

<https://www.phoenixcontact.com/us/products/1409066>

Approvals

To download certificates, visit the product detail page: <https://www.phoenixcontact.com/us/products/1409066>

 UL Listed Approval ID: E221474-20130720				
	Nominal voltage U_N	Nominal current I_N	Cross section AWG	Cross section mm^2
keine				
Power	600 V	10 A	- 16	- 16
Control	250 V	2.5 A	- 18	- 18

 cUL Listed Approval ID: E221474-20130720				
	Nominal voltage U_N	Nominal current I_N	Cross section AWG	Cross section mm^2
keine				
Power	600 V	10 A	- 16	-
Control	250 V	2.5 A	- 18	-

HC-MOT-TML-SET - Housing set



1409066

<https://www.phoenixcontact.com/us/products/1409066>

Classifications

ECLASS

ECLASS-13.0	27440202
ECLASS-15.0	27440202

ETIM

ETIM 10.0	EC000437
-----------	----------

UNSPSC

UNSPSC 21.0	31261500
-------------	----------

HC-MOT-TML-SET - Housing set



1409066

<https://www.phoenixcontact.com/us/products/1409066>

Environmental product compliance

EU RoHS

Fulfills EU RoHS substance requirements	Yes
Exemption	6(c)

China RoHS

Environment friendly use period (EFUP)	EFUP-50
	An article-related China RoHS declaration table can be found in the download area for the respective article under "Manufacturer declaration". For all articles with EFUP-E, no China RoHS declaration table issued and required.

EU REACH SVHC

REACH candidate substance (CAS No.)	Lead(CAS: 7439-92-1)
SCIP	4a8da31a-96fe-40c8-b731-69200395b6a1

Phoenix Contact 2026 © - all rights reserved

<https://www.phoenixcontact.com>

Phoenix Contact USA
586 Fulling Mill Road
Middletown, PA 17057, United States
(+717) 944-1300
info@phoenixcon.com