

# SACC-M12MRT-4CON-PG11-M - Power connector



1408988

<https://www.phoenixcontact.com/us/products/1408988>

Please be informed that the data shown in this PDF document is generated from our online catalog. Please find the complete data in the user documentation. Our general terms of use for downloads are valid.



Power connector, 4-position, unshielded, Plug angled M12, coding: T, Screw connection, knurl material: Zinc die-cast, nickel-plated, cable gland Pg11, external cable diameter 8 mm ... 10 mm, For direct current up to 12 A/63 V, Contact 4 leading

## Your advantages

- Safe use in the field, thanks to a high degree of protection
- Screw connection: proven connection technology for a large selection of different conductors
- High-performance: DC connectors for up to 12 A and 63 V DC
- Protection against incorrect connection using special T-coding

## Commercial data

Item number	1408988
Packing unit	1 pc
Minimum order quantity	1 pc
Sales key	BF30
Product key	AF2CAB
GTIN	4046356862387
Weight per piece (including packing)	26.83 g
Weight per piece (excluding packing)	26.69 g
Customs tariff number	85366990
Country of origin	DE

1408988

<https://www.phoenixcontact.com/us/products/1408988>

## Technical data

### Mounting

Assembly note	The connector pin assignment can be rotated 90° to the cable outlet
---------------	---

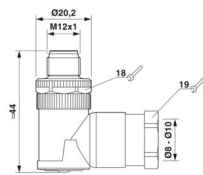
### Product properties

Product type	Circular connector (cable-side)
Application	Energy supply
Number of positions	4
No. of cable outlets	1
Shielded	no
Coding	T
Cable outlet	angled
Pg screw connection	Pg11

### Insulation characteristics

Overvoltage category	III
Degree of pollution	3

### Dimensions

Dimensional drawing	
Length	44 mm
Wrench size, union nut	19 mm

### External dimensions

Outside diameter	8 mm ... 10 mm
------------------	----------------

### Housing

Diameter housing	20.2 mm
------------------	---------

### Material specifications

Flammability rating according to UL 94	V0
Seal material	NBR
Material of grip body	PA
Contact material	CuZn
Contact surface material	Au
Contact carrier material	PA
Material for screw connection	Zinc die-cast, nickel-plated

1408988

<https://www.phoenixcontact.com/us/products/1408988>

## Connection data

### Conductor connection

Connection method	Screw connection
Connection cross section	0.75 mm <sup>2</sup> ... 1.5 mm <sup>2</sup> (without ferrule)
	0.75 mm <sup>2</sup> ... 1.5 mm <sup>2</sup> (with ferrule)
	0.75 mm <sup>2</sup> ... 2.5 mm <sup>2</sup> (solid)
Connection cross section AWG	18 ... 14 (without ferrule)
	18 ... 16 (with ferrule)
Stripping length of the individual wire	5 mm
Tightening torque	0.4 Nm (M12 knurl)
	1.5 Nm ... 2 Nm (Pressure screw with sleeve housing)
	0.4 Nm (Screw plug insert with sleeve housing as far it will go)
	0.2 Nm (Screw terminal blocks)

## Electrical properties

Rated surge voltage	1.5 kV
Contact resistance	≤ 3 mΩ
Insulation resistance	> 10 GΩ
Nominal voltage U <sub>N</sub>	63 V DC
Nominal current I <sub>N</sub>	12 A (when using 1.5 mm <sup>2</sup> conductors)
	12 A (at 40 °C)

## Mechanical properties

### Mechanical data

Insertion/withdrawal cycles	> 100
-----------------------------	-------

## Connector

### Connection 1

Head design	Plug
Head cable outlet	angled
Head thread type	M12
Coding	T

## Cable/line

Stripping length of the individual wire	5 mm
---	------

## Environmental and real-life conditions

### Ambient conditions

Degree of protection	IP67
Ambient temperature (operation) (male connector/female connector)	-40 °C ... 85 °C (Plug / socket)

# SACC-M12MRT-4CON-PG11-M - Power connector



1408988

<https://www.phoenixcontact.com/us/products/1408988>

## Standards and regulations

Standard designation	M12 connector
Standards/specifications	IEC 61076-2-111

# SACC-M12MRT-4CON-PG11-M - Power connector



1408988

<https://www.phoenixcontact.com/us/products/1408988>

## Drawings

Dimensional drawing



M12 x 1 male plug, angled

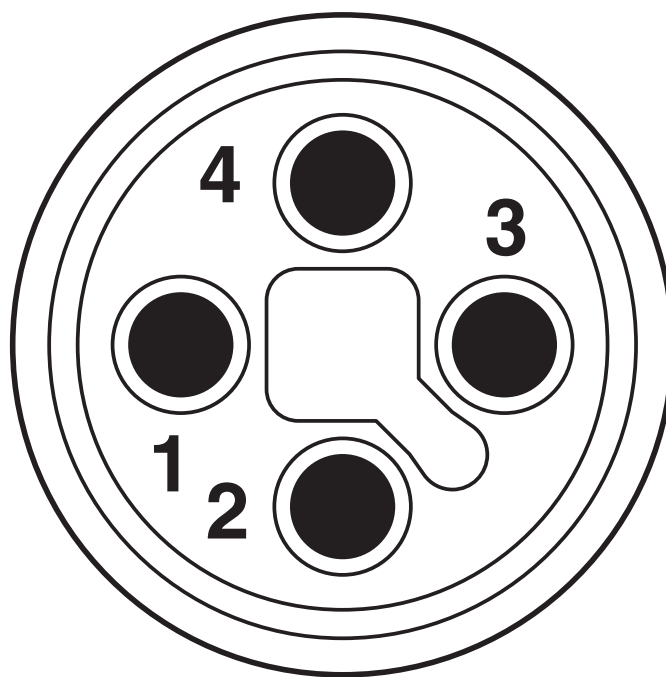
# SACC-M12MRT-4CON-PG11-M - Power connector

1408988

<https://www.phoenixcontact.com/us/products/1408988>



Schematic diagram



Pin assignment for M12 plug, 4-pos., T-coded, view of plug side

# SACC-M12MRT-4CON-PG11-M - Power connector





1408988

<https://www.phoenixcontact.com/us/products/1408988>

## Approvals

To download certificates, visit the product detail page: <https://www.phoenixcontact.com/us/products/1408988>

 <b>cUL Recognized</b> Approval ID: FILE E 221474				
	Nominal voltage $U_N$	Nominal current $I_N$	Cross section AWG	Cross section $\text{mm}^2$
keine				
	60 V	12 A	- 16	-

 <b>UL Recognized</b> Approval ID: FILE E 221474				
	Nominal voltage $U_N$	Nominal current $I_N$	Cross section AWG	Cross section $\text{mm}^2$
keine				
	60 V	12 A	- 16	-

# SACC-M12MRT-4CON-PG11-M - Power connector



1408988

<https://www.phoenixcontact.com/us/products/1408988>

## Classifications

### ECLASS

ECLASS-13.0	27440116
ECLASS-15.0	27440116

### ETIM

ETIM 10.0	EC002635
-----------	----------

### UNSPSC

UNSPSC 21.0	39121400
-------------	----------

1408988

<https://www.phoenixcontact.com/us/products/1408988>

## Environmental product compliance

### EU RoHS

Fulfills EU RoHS substance requirements	Yes
Exemption	6(c)

### China RoHS

Environment friendly use period (EFUP)	EFUP-50
	An article-related China RoHS declaration table can be found in the download area for the respective article under "Manufacturer declaration". For all articles with EFUP-E, no China RoHS declaration table issued and required.

### EU REACH SVHC

REACH candidate substance (CAS No.)	Lead(CAS: 7439-92-1)
SCIP	c5486b4d-70e8-4f24-b934-7fecebe01b32

### EF3.1 Climate Change

CO2e kg	1.273 kg CO2e
---------	---------------

Phoenix Contact 2026 © - all rights reserved  
<https://www.phoenixcontact.com>

Phoenix Contact USA  
586 Fulling Mill Road  
Middletown, PA 17057, United States  
(+717) 944-1300  
[info@phoenixcon.com](mailto:info@phoenixcon.com)