

# SACC-M12MRS-3PECON-PG11-M - Power connector



1408985

<https://www.phoenixcontact.com/us/products/1408985>

Please be informed that the data shown in this PDF document is generated from our online catalog. Please find the complete data in the user documentation. Our general terms of use for downloads are valid.

Power connector, 4-position, Plug angled M12, coding: S, Screw connection, knurl material: Zinc die-cast, nickel-plated, cable gland Pg11, external cable diameter 8 mm ... 10 mm, for AC current up to 12 A/630 V, Contact 4 leading



## Your advantages

- Safe use in the field, thanks to a high degree of protection
- Screw connection: proven connection technology for a large selection of different conductors
- High-performance: AC connectors for up to 12 A and 630 V AC
- Protection against incorrect connection using special S-coding

## Commercial data

|                                      |               |
|--------------------------------------|---------------|
| Item number                          | 1408985       |
| Packing unit                         | 1 pc          |
| Minimum order quantity               | 1 pc          |
| Sales key                            | BF30          |
| Product key                          | AF2CAB        |
| GTIN                                 | 4046356861564 |
| Weight per piece (including packing) | 26.85 g       |
| Weight per piece (excluding packing) | 26.5 g        |
| Customs tariff number                | 85366990      |
| Country of origin                    | DE            |

## Technical data

### Notes

|               |  |
|---------------|--|
| General       | Strip 21 mm off the cable sheath, strip 6 mm off the conductor insulation, crimp the ferrule, then shorten this to 5 mm. Conductor length with shortened ferrule: 20 mm. Connect conductors and tighten the mounting screws with 0.2 Nm. |
| Assembly note | <b>NOTE:</b> Observe the permissible bending radii when routing cables, since the degree of protection may be at risk if the bending forces are too high. Reduce mechanical loads upstream of the connector, e.g., by using cable ties.  |

### Mounting

|               |   |
|---------------|---|
| Assembly note | The connector pin assignment can be rotated 90° to the cable outlet |
|---------------|---|

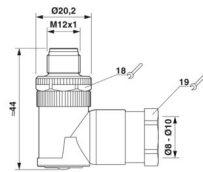
### Product properties

|                      |                                 |
|----------------------|---------------------------------|
| Product type         | Circular connector (cable-side) |
| Application          | Energy supply                   |
| Number of positions  | 4                               |
| No. of cable outlets | 1                               |
| Shielded             | no                              |
| Coding               | S                               |
| Cable outlet         | angled                          |
| Pg screw connection  | Pg11                            |

### Insulation characteristics

|                      |     |
|----------------------|-----|
| Overvoltage category | III |
| Degree of pollution  | 3   |

### Dimensions

|                        |  |
|------------------------|--|
| Dimensional drawing    |  |
| Length                 | 44 mm  |
| Wrench size, union nut | 19 mm  |

### External dimensions

|                  |                |
|------------------|----------------|
| Outside diameter | 8 mm ... 10 mm |
|------------------|----------------|

### Housing

|                  |         |
|------------------|---------|
| Diameter housing | 20.2 mm |
|------------------|---------|

### Material specifications

1408985

<https://www.phoenixcontact.com/us/products/1408985>

|  |                              |
|--|------------------------------|
| Flammability rating according to UL 94 | V0                           |
| Seal material                          | NBR                          |
| Material of grip body                  | PA                           |
| Contact material                       | CuZn                         |
| Contact surface material               | Au                           |
| Contact carrier material               | PA                           |
| Material for screw connection          | Zinc die-cast, nickel-plated |

### Connection data

#### Conductor connection

|   |  |
|---|--|
| Connection method                       | Screw connection   |
| Connection cross section                | 0.75 mm <sup>2</sup> ... 1.5 mm <sup>2</sup> (with ferrule)      |
|   | 0.75 mm <sup>2</sup> ... 2.5 mm <sup>2</sup> (solid)             |
| Connection cross section AWG            | 18 ... 16 (with ferrule)   |
| Stripping length of the individual wire | 5 mm   |
| Tightening torque                       | 0.4 Nm (M12 knurl)   |
|   | 1.5 Nm ... 2 Nm (Pressure screw with sleeve housing)             |
|   | 0.4 Nm (Screw plug insert with sleeve housing as far it will go) |
|   | 0.2 Nm (Screw terminal blocks)                                   |

### Electrical properties

|                                |  |
|--------------------------------|--|
| Rated surge voltage            | 6 kV   |
| Contact resistance             | ≤ 3 mΩ   |
| Insulation resistance          | > 10 GΩ  |
| Nominal voltage U <sub>N</sub> | 630 V AC   |
| Nominal current I <sub>N</sub> | 12 A (when using 1.5 mm <sup>2</sup> conductors) |
|                                | 12 A (at 40 °C)                                  |

### Mechanical properties

#### Mechanical data

|                             |       |
|-----------------------------|-------|
| Insertion/withdrawal cycles | > 100 |
|-----------------------------|-------|

### Connector

#### Connection 1

|                   |        |
|-------------------|--------|
| Head design       | Plug   |
| Head cable outlet | angled |
| Head thread type  | M12    |
| Coding            | S      |

### Cable/line

|   |      |
|---|------|
| Stripping length of the individual wire | 5 mm |
|---|------|

### Environmental and real-life conditions

# SACC-M12MRS-3PECON-PG11-M - Power connector



1408985

<https://www.phoenixcontact.com/us/products/1408985>

## Ambient conditions

|   |                                  |
|---|----------------------------------|
| Degree of protection  | IP67                             |
| Ambient temperature (operation) (male connector/female connector) | -40 °C ... 85 °C (Plug / socket) |

## Standards and regulations

|                          |                 |
|--------------------------|-----------------|
| Standard designation     | M12 connector   |
| Standards/specifications | IEC 61076-2-111 |

Drawings

Dimensional drawing

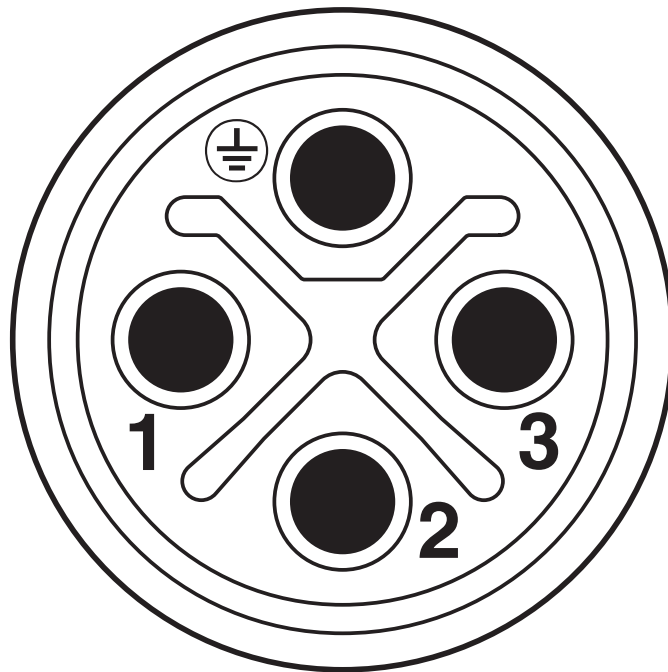


M12 x 1 male plug, angled

1408985

<https://www.phoenixcontact.com/us/products/1408985>

Schematic diagram



M12 plug pin assignment, 4-pos., S-coded, plug side view

# SACC-M12MRS-3PECON-PG11-M - Power connector





1408985

<https://www.phoenixcontact.com/us/products/1408985>

## Approvals

To download certificates, visit the product detail page: <https://www.phoenixcontact.com/us/products/1408985>

|  <b>cUL Recognized</b><br>Approval ID: FILE E 221474 |                       |                       |                   |                             |
|---|-----------------------|-----------------------|-------------------|-----------------------------|
|   | Nominal voltage $U_N$ | Nominal current $I_N$ | Cross section AWG | Cross section $\text{mm}^2$ |
| keine   |                       |                       |                   |                             |
|   | 600 V                 | 12 A                  | - 16              | -                           |

|  <b>UL Recognized</b><br>Approval ID: FILE E 221474 |                       |                       |                   |                             |
|--|-----------------------|-----------------------|-------------------|-----------------------------|
|  | Nominal voltage $U_N$ | Nominal current $I_N$ | Cross section AWG | Cross section $\text{mm}^2$ |
| keine  |                       |                       |                   |                             |
|  | 600 V                 | 12 A                  | - 16              | -                           |

# SACC-M12MRS-3PECON-PG11-M - Power connector



1408985

<https://www.phoenixcontact.com/us/products/1408985>

## Classifications

### ECLASS

|             |          |
|-------------|----------|
| ECLASS-13.0 | 27440116 |
| ECLASS-15.0 | 27440116 |

### ETIM

|           |          |
|-----------|----------|
| ETIM 10.0 | EC002635 |
|-----------|----------|

### UNSPSC

|             |          |
|-------------|----------|
| UNSPSC 21.0 | 39121400 |
|-------------|----------|

1408985

<https://www.phoenixcontact.com/us/products/1408985>

## Environmental product compliance

### EU RoHS

|   |      |
|---|------|
| Fulfills EU RoHS substance requirements | Yes  |
| Exemption                               | 6(c) |

### China RoHS

|  |   |
|--|---|
| Environment friendly use period (EFUP) | EFUP-50   |
|  | An article-related China RoHS declaration table can be found in the download area for the respective article under "Manufacturer declaration". For all articles with EFUP-E, no China RoHS declaration table issued and required. |

### EU REACH SVHC

|                                     |                                      |
|-------------------------------------|--------------------------------------|
| REACH candidate substance (CAS No.) | Lead(CAS: 7439-92-1)                 |
| SCIP                                | 4477e389-3e06-4b52-b958-34a736d9edb6 |

### EF3.1 Climate Change

|         |               |
|---------|---------------|
| CO2e kg | 1.295 kg CO2e |
|---------|---------------|

Phoenix Contact 2026 © - all rights reserved  
<https://www.phoenixcontact.com>

Phoenix Contact USA  
 586 Fulling Mill Road  
 Middletown, PA 17057, United States  
 (+717) 944-1300  
[info@phoenixcon.com](mailto:info@phoenixcon.com)