

HC-ADV-B10-SHFH-2STM20-EEE - Housing



1408737

<https://www.phoenixcontact.com/us/products/1408737>

Please be informed that the data shown in this PDF document is generated from our online catalog. Please find the complete data in the user documentation. Our general terms of use for downloads are valid.



HEAVYCON ADVANCE B10 box mounting base, for M6 screw locking, salt-water-resistant aluminum, with 2 x M20 thread, without surface coating

Commercial data

Item number	1408737
Packing unit	1 pc
Note	Made to order (non-returnable)
Sales key	BF58
Product key	AF7AAA
GTIN	4046356583343
Weight per piece (including packing)	446.2 g
Weight per piece (excluding packing)	446.2 g
Customs tariff number	85389099
Country of origin	CN

1408737

<https://www.phoenixcontact.com/us/products/1408737>

Technical data

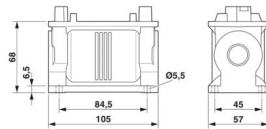
Notes

General	For contact inserts HC-B10, BB18, DD42, M, K8/24
---------	--

Product properties

Product type	Housing with screw locking
Housing type	Surface mounting housing
Application	Offshore
Type	B10
No. of cable outlets	2
Type of the screw connection	2x M20
Shielded	yes
Cable outlet	lateral
Pg screw connection	none

Dimensions

Dimensional drawing	
Width	45 mm
Height	68 mm
Length	105 mm

Material specifications

Housing material	Die-cast aluminum, corrosion resistant
Housing surface material	uncoated

Environmental and real-life conditions

Ambient conditions

Degree of protection	IP66
	IP68 (0.2 bar/24 h)
	IP69K
Enclosure rating (NEMA)	4 (NEMA 250)
	4X (NEMA 250)
	6P (NEMA 250)
	12 (NEMA 250)
Ambient temperature (operation)	-40 °C ... 125 °C

Mechanical properties

Mechanical data

HC-ADV-B10-SHFH-2STM20-EEE - Housing



1408737

<https://www.phoenixcontact.com/us/products/1408737>

Type of the screw connection	2x M20
Locking type	Nut

Mounting

Assembly note	To ensure optimum shielding, any insulating powder coating must be removed from the housing support area on the control cabinet panel
---------------	---

HC-ADV-B10-SHFH-2STM20-EEE - Housing

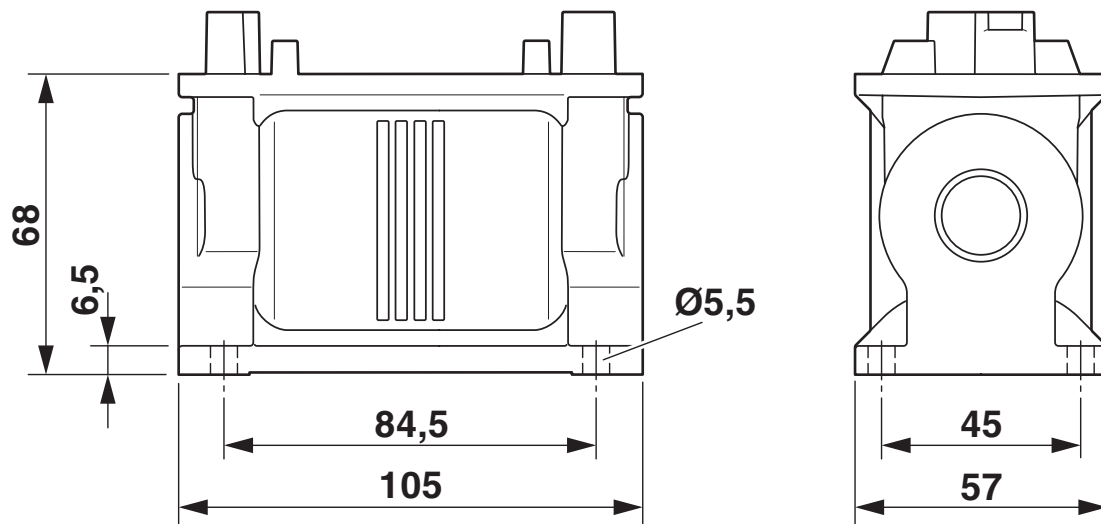


1408737

<https://www.phoenixcontact.com/us/products/1408737>

Drawings

Dimensional drawing



Dimensional drawing

HC-ADV-B10-SHFH-2STM20-EEE - Housing



1408737

<https://www.phoenixcontact.com/us/products/1408737>

Classifications

ECLASS

ECLASS-13.0	27440202
ECLASS-15.0	27440202

HC-ADV-B10-SHFH-2STM20-EEE - Housing



1408737

<https://www.phoenixcontact.com/us/products/1408737>

Environmental product compliance

EU REACH SVHC

REACH candidate substance (CAS No.)	No substance above 0.1 wt%
-------------------------------------	----------------------------

Phoenix Contact 2026 © - all rights reserved

<https://www.phoenixcontact.com>

Phoenix Contact USA
586 Fulling Mill Road
Middletown, PA 17057, United States
(+717) 944-1300
info@phoenixcon.com