

NBC-M12MRD/10,0-93E US - Network cable



1408735

<https://www.phoenixcontact.com/us/products/1408735>

Please be informed that the data shown in this PDF document is generated from our online catalog. Please find the complete data in the user documentation. Our general terms of use for downloads are valid.



Network cable, Ethernet CAT5 (100 Mbps), 4-position, PUR halogen-free, water blue RAL 5021, shielded, Plug angled M12, coding: D / IP67, on free cable end, cable length: 10 m

Commercial data

| | |
|--------------------------------------|---------------|
| Item number | 1408735 |
| Packing unit | 1 pc |
| Minimum order quantity | 1 pc |
| Sales key | BF15 |
| Product key | AF1IHA |
| GTIN | 4046356828697 |
| Weight per piece (including packing) | 430.45 g |
| Weight per piece (excluding packing) | 430 g |
| Customs tariff number | 85444290 |
| Country of origin | US |

1408735

<https://www.phoenixcontact.com/us/products/1408735>

Technical data

Product properties

| | |
|---------------------|-------------------------|
| Product type | Data cable preassembled |
| Application | Standard, U.S. cables |
| Sensor type | Ethernet |
| Number of positions | 4 |
| Shielded | yes |
| Coding | D |

Interfaces

| | |
|----------------------|-------------------------------------|
| Bus system | Ethernet |
| Signal type/category | Ethernet CAT5 (IEC 11801), 100 Mbps |

Signaling

| | |
|------------------------|----|
| Status display | no |
| Status display present | no |

Electrical properties

| | |
|---|--|
| Nominal voltage U_N | 48 V AC |
| | 60 V DC |
| Nominal current I_N | 4 A (Plug/socket in accordance with IEC 61076-2-101, cable technical data is to be observed) |
| Transmission medium | Copper |
| Transmission speed | 100 Mbps |
| Transmission characteristics (category) | CAT5 (IEC 11801:2002) |

Material specifications

| | |
|-------------------------------|---|
| Material of grip body | TPU, hardly inflammable, self-extinguishing |
| Contact material | CuSn |
| Contact surface material | Ni/Au |
| Contact carrier material | TPU GF |
| Material for screw connection | Zinc die-cast, nickel-plated |

Connector

Connection 1

| | |
|----------------------|---|
| Type | Plug angled M12 / IP67 |
| Coding type | D (Data) |
| Material | CuZn (Contact) |
| | Ni/Au (Contact surface) |
| | TPU GF (Contact carrier) |
| | TPU, hardly inflammable, self-extinguishing (Grip body) |
| | Zinc die-cast, nickel-plated (Screw connection) |
| Degree of protection | IP67 |

NBC-M12MRD/10,0-93E US - Network cable



1408735

<https://www.phoenixcontact.com/us/products/1408735>

Connection 2

| | |
|------|----------------|
| Type | free cable end |
|------|----------------|

Cable/line

| | |
|--------------|------|
| Cable length | 10 m |
|--------------|------|

Ethernet flexible CAT5, 2-pair [93E]

| | |
|---------------------------------|--|
| Dimensional drawing |  |
| Cable weight | 42 kg/km |
| UL AWM Style | 20963 (80°C/30 V) |
| Wiring standards/regulations | Electrical requirements EN 50288-2-2 |
| Number of positions | 4 |
| Shielded | yes |
| Cable type | Ethernet flexible CAT5, 2-pair [93E] |
| Conductor structure | 2x2xAWG26/7, SF/UTP |
| Signal runtime | 5.3 ns/m |
| Conductor structure signal line | 7x 0.16 mm |
| AWG signal line | 26 |
| Conductor cross-section | 2x 2x 0.14 mm ² |
| Wire diameter incl. insulation | 0.98 mm |
| External cable diameter | 6.40 mm ±0.2 mm |
| Outer sheath, material | PUR |
| External sheath, color | water blue RAL 5021 |
| Conductor material | Bare Cu litz wires |
| Material wire insulation | Foamed PE |
| Single wire, color | white/orange-orange, white/green-green |
| Thickness, outer sheath | 1.20 mm |
| Twisted pairs | 2 cores to the pair |
| Overall twist | Two pairs with two fillers to the core |
| Optical shield covering | 70 % |
| Insulation resistance | ≥ 500 MΩ*km |
| Coupling resistance | ≤ 100.00 mΩ/m (at 10 MHz) |
| Loop resistance | ≤ 290.00 Ω/km |
| Wave impedance | 100 Ω ±5 Ω (at 100 MHz) |
| Cable capacity | approx. 45 nF/km (at 1 kHz) |
| Nominal voltage, cable | ≤ 100 V (Peak value, not for high-power applications) |
| Test voltage Core/Core | 700 V (50 Hz, 1 min.) |

NBC-M12MRD/10,0-93E US - Network cable



1408735

<https://www.phoenixcontact.com/us/products/1408735>

| | |
|--|--------------------------------------|
| Test voltage Core/Shield | 700.00 V (50 Hz, 1 min.) |
| Current carrying capacity of cable | 2.00 A (according to DIN VDE 0891-1) |
| Minimum bending radius, fixed installation | 4 x D |
| Minimum bending radius, flexible installation | 8 x D |
| Smallest bending radius, fixed installation | 26 mm |
| Smallest bending radius, movable installation | 52 mm |
| Tensile strength | ≤ 80 N |
| Near end crosstalk attenuation (NEXT) | 65.3 dB (with 1 MHz) |
| | 56.3 dB (at 4 MHz) |
| | 50.3 dB (at 10 MHz) |
| | 47.2 dB (at 16 MHz) |
| | 45.8 dB (at 20 MHz) |
| | 42.9 dB (at 31.25 MHz) |
| | 38.4 dB (at 62.5 MHz) |
| | 35.3 dB (at 100 MHz) |
| Power-summated near end crosstalk attenuation (PSNEXT) | 62.3 dB (with 1 MHz) |
| | 53.3 dB (at 4 MHz) |
| | 47.3 dB (at 10 MHz) |
| | 44.2 dB (at 16 MHz) |
| | 42.8 dB (at 20 MHz) |
| | 39.9 dB (at 31.25 MHz) |
| | 35.4 dB (at 62.5 MHz) |
| | 32.3 dB (at 100 MHz) |
| Return attenuation (RL) | 23 dB (at 4 MHz) |
| | 24.1 dB (at 8 MHz) |
| | 25 dB (at 10 MHz) |
| | 25 dB (at 16 MHz) |
| | 25 dB (at 20 MHz) |
| | 23.6 dB (at 31.25 MHz) |
| | 21.5 dB (at 62.5 MHz) |
| | 20.1 dB (at 100 MHz) |
| Shield attenuation | 3.2 dB (with 1 MHz) |
| | 6 dB (at 4 MHz) |
| | 9.5 dB (at 10 MHz) |
| | 12.1 dB (at 16 MHz) |
| | 13.6 dB (at 20 MHz) |
| | 17.1 dB (at 31.25 MHz) |
| | 24.8 dB (at 62.5 MHz) |
| | 32 dB (at 100 MHz) |
| Halogen-free | according to IEC 60754-1 |
| Flame resistance | according to IEC 60332-1-2 |
| | in acc. to UL VW1 |
| | in accordance with UN ECE-R 118.03 |
| Resistance to oil | in accordance with EN 60811-2-1 |

NBC-M12MRD/10,0-93E US - Network cable



1408735

<https://www.phoenixcontact.com/us/products/1408735>

| | |
|------------------------------------|---|
| Ambient temperature (operation) | -40 °C ... 80 °C (cable, fixed installation) |
| | -20 °C ... 80 °C (Cable, flexible installation) |
| Ambient temperature (installation) | -20 °C ... 80 °C |

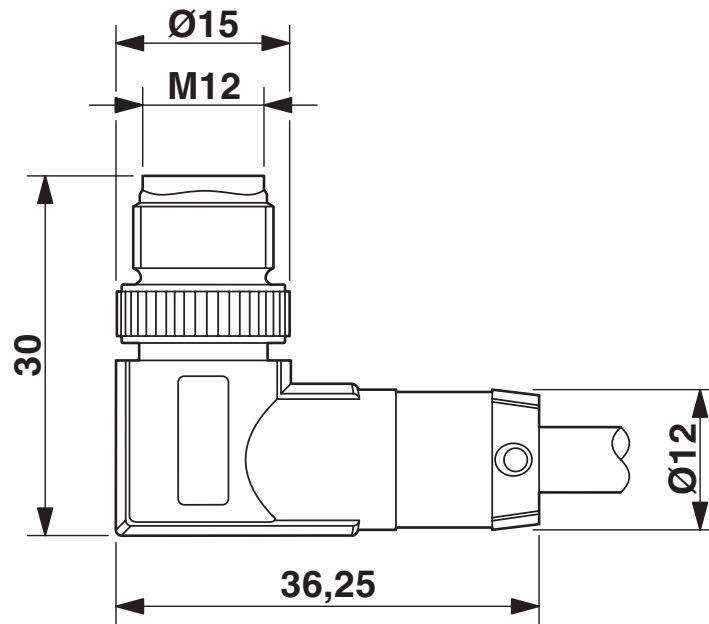
Standards and regulations

M12

| | |
|--------------------------|-----------------|
| Standard designation | M12 connector |
| Standards/specifications | IEC 61076-2-101 |

Drawings

Dimensional drawing



M12 x 1 male plug, angled, shielded

Schematic diagram

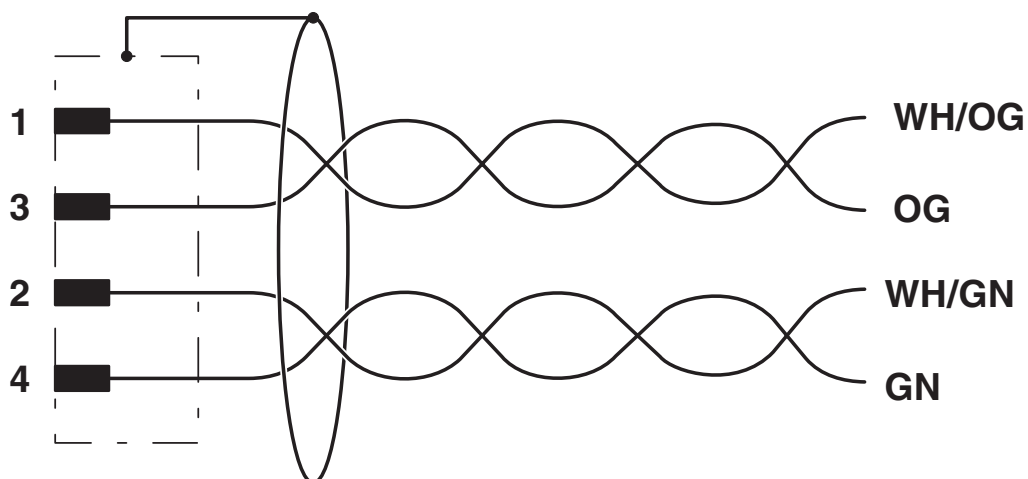


Pin assignment M12 male connector, 4-pos., D-coded, male side

1408735

<https://www.phoenixcontact.com/us/products/1408735>

Circuit diagram



Contact assignment of the M12 plug

NBC-M12MRD/10,0-93E US - Network cable



1408735

<https://www.phoenixcontact.com/us/products/1408735>

Approvals

To download certificates, visit the product detail page: <https://www.phoenixcontact.com/us/products/1408735>

|  UL Recognized Approval ID: FILE E 335024 | | | | |
|--|-----------------------|-----------------------|-------------------|-----------------------------|
| | Nominal voltage U_N | Nominal current I_N | Cross section AWG | Cross section mm^2 |
| keine | | | | |
| | 30 V | 4 A | - | - |

|  EAC-RoHS Approval ID: RU D-DE.HB35.B.00387 | |
|--|--|
|--|--|

1408735

<https://www.phoenixcontact.com/us/products/1408735>

Classifications

ECLASS

| | |
|-------------|----------|
| ECLASS-13.0 | 27060307 |
| ECLASS-15.0 | 27060307 |

ETIM

| | |
|-----------|----------|
| ETIM 10.0 | EC001855 |
|-----------|----------|

UNSPSC

| | |
|-------------|----------|
| UNSPSC 21.0 | 26121600 |
|-------------|----------|

1408735

<https://www.phoenixcontact.com/us/products/1408735>

Environmental product compliance

EU RoHS

| | |
|---|--------------------|
| Fulfills EU RoHS substance requirements | Yes, No exemptions |
|---|--------------------|

China RoHS

| | |
|--|--|
| Environment friendly use period (EFUP) | EFUP-E |
| | No hazardous substances above the limits |

EU REACH SVHC

| | |
|-------------------------------------|----------------------------|
| REACH candidate substance (CAS No.) | No substance above 0.1 wt% |
|-------------------------------------|----------------------------|

Phoenix Contact 2026 © - all rights reserved
<https://www.phoenixcontact.com>

Phoenix Contact USA
586 Fulling Mill Road
Middletown, PA 17057, United States
(+717) 944-1300
info@phoenixcon.com