

HC-ADV-B10-BHFH-EEE - Housing



1408711

<https://www.phoenixcontact.com/us/products/1408711>

Please be informed that the data shown in this PDF document is generated from our online catalog. Please find the complete data in the user documentation. Our general terms of use for downloads are valid.



HEAVYCON ADVANCE B10 basic housing without screw openings, for M6 screw locking, salt-water-resistant aluminum, without surface coating

Commercial data

Item number	1408711
Packing unit	1 pc
Note	Made to order (non-returnable)
Sales key	BF58
Product key	AF7AAA
GTIN	4046356582216
Weight per piece (including packing)	452 g
Weight per piece (excluding packing)	452 g
Customs tariff number	85389099
Country of origin	CN

HC-ADV-B10-BHFH-EEE - Housing



1408711

<https://www.phoenixcontact.com/us/products/1408711>

Technical data

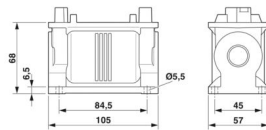
Notes

General	For contact inserts HC-B10, BB18, DD42, M, K8/24
---------	--

Product properties

Product type	Housing with screw locking
Housing type	Basic housing
Application	Offshore
Type	B10
Cable outlet	variable

Dimensions

Dimensional drawing	
Width	45 mm
Height	68 mm
Length	105 mm

Material specifications

Seal material	NBR, conductive
Housing material	Die-cast aluminum, corrosion resistant
Housing surface material	uncoated

Environmental and real-life conditions

Ambient conditions

Degree of protection	IP66 IP68 (0.2 bar/24 h) IP69K
Enclosure rating (NEMA)	4 (NEMA 250) 4X (NEMA 250) 6P (NEMA 250) 12 (NEMA 250)
Impact strength	IK09
Ambient temperature (operation)	-40 °C ... 125 °C

Mechanical properties

Mechanical data

Locking type	Nut
--------------	-----

HC-ADV-B10-BHFH-EEE - Housing



1408711

<https://www.phoenixcontact.com/us/products/1408711>

Mounting

Assembly note

For cutting the screw connection thread yourself (M32 maximum)

To ensure optimum shielding, any insulating powder coating must be removed from the seal area on the control cabinet panel

HC-ADV-B10-BHFH-EEE - Housing

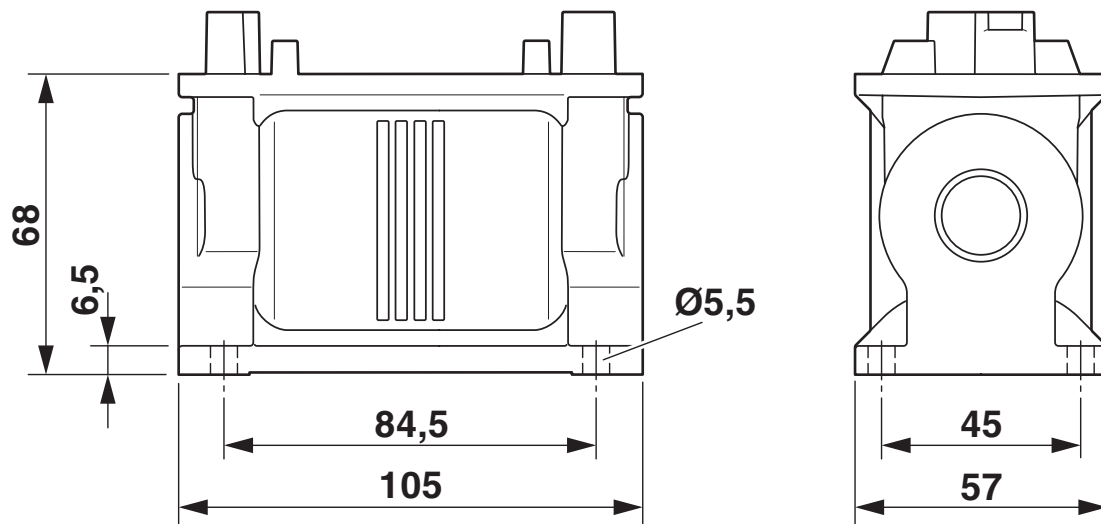


1408711

<https://www.phoenixcontact.com/us/products/1408711>

Drawings

Dimensional drawing



Dimensional drawing

HC-ADV-B10-BHFH-EEE - Housing



1408711

<https://www.phoenixcontact.com/us/products/1408711>

Classifications

ECLASS

ECLASS-13.0	27440202
ECLASS-15.0	27440202

HC-ADV-B10-BHFH-EEE - Housing



1408711

<https://www.phoenixcontact.com/us/products/1408711>

Environmental product compliance

EU REACH SVHC

REACH candidate substance (CAS No.)	No substance above 0.1 wt%
-------------------------------------	----------------------------

Phoenix Contact 2026 © - all rights reserved

<https://www.phoenixcontact.com>

Phoenix Contact USA
586 Fulling Mill Road
Middletown, PA 17057, United States
(+717) 944-1300
info@phoenixcon.com