

NBC-M12MRD-M12FSD/.../... - Network cable



1408691

<https://www.phoenixcontact.com/us/products/1408691>

Please be informed that the data shown in this PDF document is generated from our online catalog. Please find the complete data in the user documentation. Our general terms of use for downloads are valid.



Network cable, Ethernet CAT5 (100 Mbps), 4-position, PUR halogen-free, Variable cable type, water blue RAL 5021, shielded (Advanced Shielding Technology), Plug angled M12, coding: D / IP67, on Socket straight M12, coding: D / IP67, cable length: Free input (0.2 m ... 100.0 m)

Commercial data

| | |
|------------------------|--------------------------------|
| Item number | 1408691 |
| Packing unit | 1 pc |
| Minimum order quantity | 1 pc |
| Note | Made to order (non-returnable) |
| Sales key | BF17 |
| Product key | AF1CJI |
| Customs tariff number | 85444290 |
| Country of origin | PL |

1408691

<https://www.phoenixcontact.com/us/products/1408691>

Technical data

Product properties

| | |
|---------------------|-------------------------|
| Product type | Data cable preassembled |
| Application | Standard |
| Number of positions | 4 |
| Shielded | yes |

Interfaces

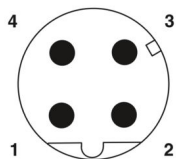
| | |
|----------------------|-------------------------------------|
| Signal type/category | Ethernet CAT5 (IEC 11801), 100 Mbps |
|----------------------|-------------------------------------|

Electrical properties

| | |
|-----------------------|----------|
| Nominal voltage U_N | 48 V AC |
| | 60 V DC |
| Nominal current I_N | 4 A |
| Transmission medium | Copper |
| Transmission speed | 100 Mbps |

Connector

Connection 1

| | |
|-----------------------------|---|
| Dimensional drawing |  <p>Pin assignment M12 male connector, 4-pos., D-coded, male side</p> |
| Type | M12 Plug, angled, 4-position, shielded (Advanced Shielding Technology), Keying: D |
| Number of positions | 4 |
| Shielded | yes |
| Shielding | Advanced Shielding Technology |
| Signal type/category | Ethernet CAT5 (IEC 11801), 100 Mbps |
| Insertion/withdrawal cycles | ≥ 100 |
| Insulation resistance | ≥ 100 MΩ |
| Overvoltage category | II |
| Degree of pollution | 3 |
| Tightening torque | 0.4 Nm |
| Material Contact | CuSn |
| Material Contact surface | Ni/Au |
| Material Contact carrier | PA 6.6 |
| Material Screw connection | Die-cast zinc, nickel-plated |
| Material Grip body | TPU, hardly inflammable, self-extinguishing |

NBC-M12MRD-M12FSD/.../... - Network cable



1408691

<https://www.phoenixcontact.com/us/products/1408691>

| | |
|--|------------------|
| Material Seal | FKM |
| Flammability rating according to UL 94 | V0 |
| Degree of protection | IP65 |
| | IP67 |
| Ambient temperature (operation) | -25 °C ... 85 °C |
| Standard designation | M12 connector |
| Standards/regulations | IEC 61076-2-101 |

Connection 2

| | |
|--|---|
| Dimensional drawing |  <p>Pin assignment M12 socket, 4-pos., D-coded, female side</p> |
| Type | M12 Socket, straight, 4-position, shielded (Advanced Shielding Technology), Keying: D |
| Number of positions | 4 |
| Shielded | yes |
| Shielding | Advanced Shielding Technology |
| Signal type/category | Ethernet CAT5 (IEC 11801), 100 Mbps |
| Insertion/withdrawal cycles | ≥ 100 |
| Insulation resistance | ≥ 100 MΩ |
| Overvoltage category | II |
| Degree of pollution | 3 |
| Tightening torque | 0.4 Nm |
| Material Contact | CuSn |
| Material Contact surface | Ni/Au |
| Material Contact carrier | PA 6.6 |
| Material Screw connection | Die-cast zinc, nickel-plated |
| Material Grip body | TPU, hardly inflammable, self-extinguishing |
| Material Seal | FKM |
| Flammability rating according to UL 94 | V0 |
| Degree of protection | IP65 |
| | IP67 |
| Ambient temperature (operation) | -25 °C ... 85 °C |
| Standard designation | M12 connector |
| Standards/regulations | IEC 61076-2-101 |

Cable/line

| | |
|--------------|--------------------------------|
| Cable length | Free input (0.2 m ... 100.0 m) |
|--------------|--------------------------------|

Ethernet flexible CAT5, 2-pair [93E]

NBC-M12MRD-M12FSD/.../... - Network cable



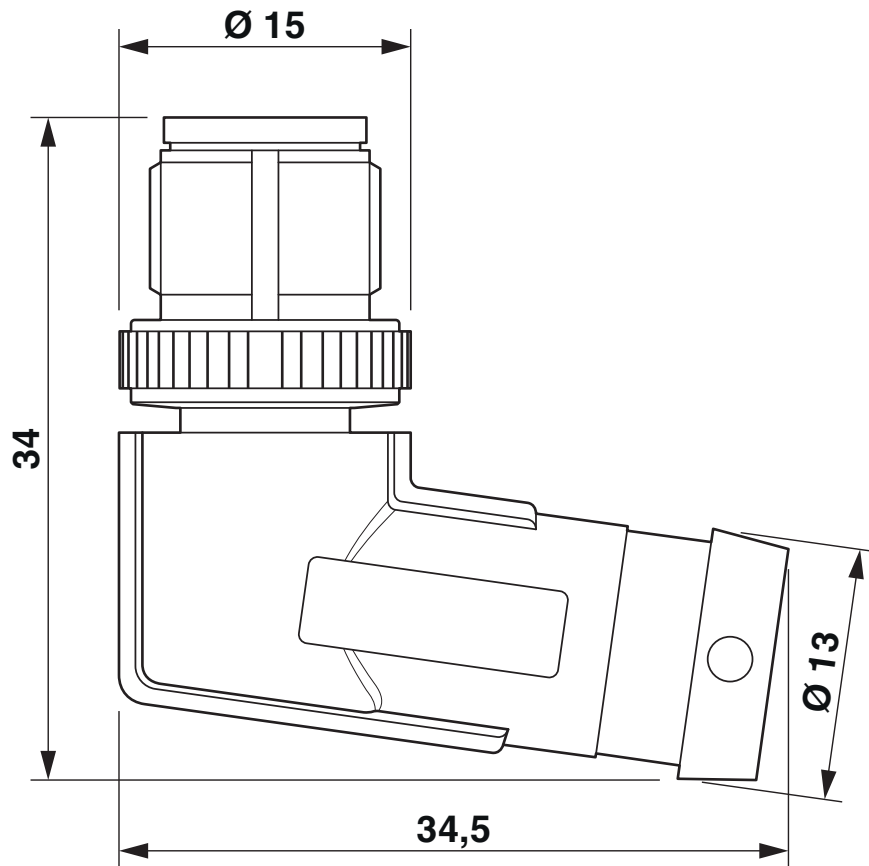
1408691

<https://www.phoenixcontact.com/us/products/1408691>

| | |
|---|--|
| Dimensional drawing |  |
| UL AWM Style | 21238 (80 °C / 600 V) |
| Number of positions | 4 |
| Shielded | yes |
| Cable type | Ethernet flexible CAT5, 2-pair [93E] |
| Conductor structure | 2x2xAWG26/7, SF/UTP |
| AWG signal line | 26 |
| Conductor cross-section | 2x 2x 0.14 mm ² |
| Wire diameter incl. insulation | 0.95 mm ±0.05 mm |
| External cable diameter | 6.40 mm ±0.2 mm |
| Outer sheath, material | PUR |
| External sheath, color | water blue RAL 5021 |
| Conductor material | Bare Cu litz wires |
| Material wire insulation | Foamed PE |
| Single wire, color | white/orange-orange, white/green-green |
| Twisted pairs | 2 cores to the pair |
| Overall twist | Two pairs with two fillers to the core |
| Optical shield covering | 70 % |
| Insulation resistance | ≥ 5 GΩ*km |
| Loop resistance | ≤ 280.00 Ω/km |
| Wave impedance | 100 Ω ±5 Ω (at 100 MHz) |
| Nominal voltage, cable | ≤ 100 V |
| Test voltage Core/Core | 2000 V (50 Hz, 1 min.) |
| Test voltage Core/Shield | 2000.00 V (50 Hz, 1 min.) |
| Minimum bending radius, fixed installation | 4 x D |
| Minimum bending radius, flexible installation | 8 x D |
| Smallest bending radius, fixed installation | 26 mm |
| Smallest bending radius, movable installation | 51 mm |
| Halogen-free | according to IEC 60754-1 |
| Flame resistance | according to IEC 60332-1-2 in accordance with UN ECE-R 118.03 UL 1581, Section 1060 and UL 2556, Section 9.3 (FT1) UL 1581, Section 1100 and UL 2556, Section 9.1 (HFT/FT2) |
| Resistance to oil | in accordance with IEC 60811-404 |
| Ambient temperature (operation) | -40 °C ... 80 °C (cable, fixed installation) -30 °C ... 70 °C (Cable, flexible installation) |

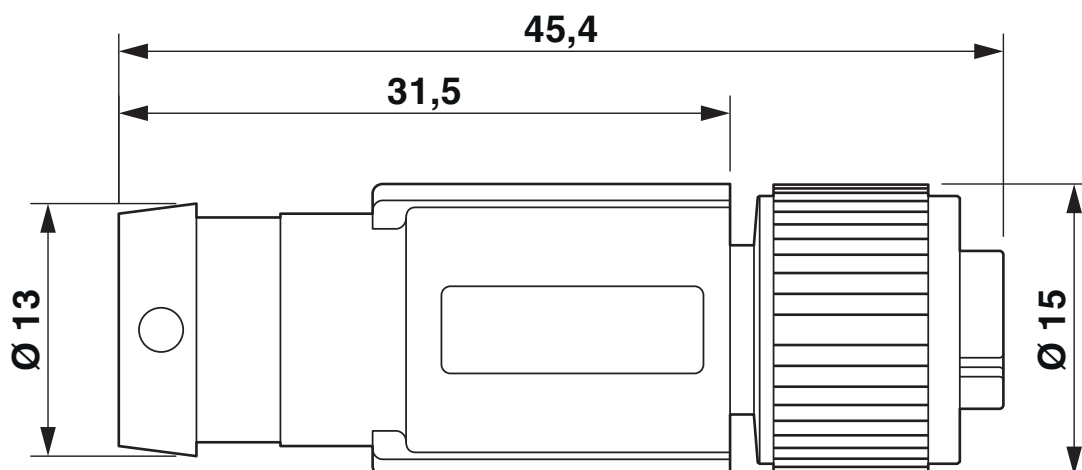
Drawings

Dimensional drawing



M12 x 1 male plug, angled, shielded

Dimensional drawing



M12 x 1 socket, straight, shielded

1408691

<https://www.phoenixcontact.com/us/products/1408691>

Schematic diagram



Pin assignment M12 male connector, 4-pos., D-coded, male side

Schematic diagram

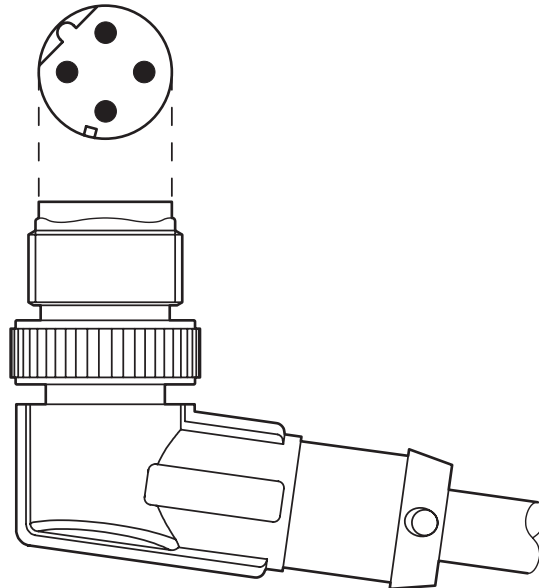


Pin assignment M12 socket, 4-pos., D-coded, female side

1408691

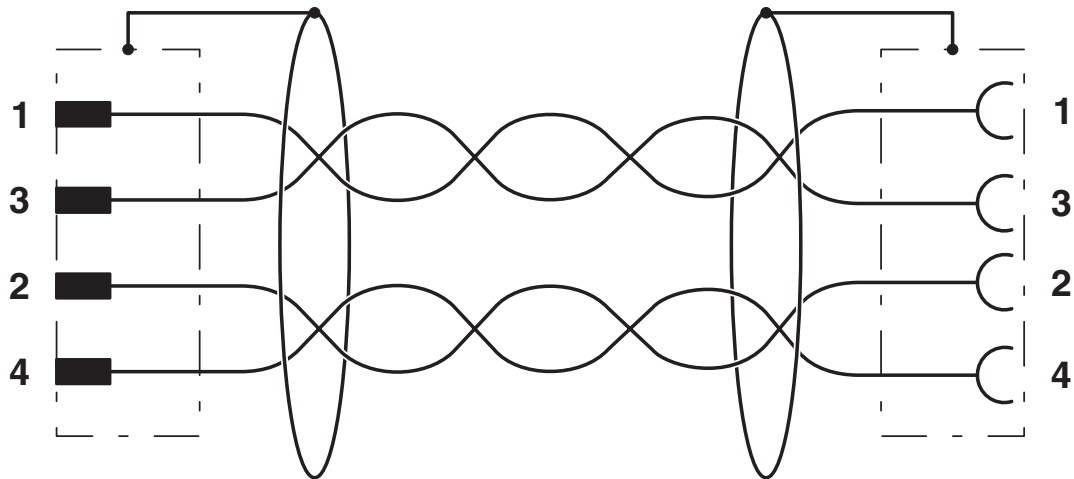
<https://www.phoenixcontact.com/us/products/1408691>

Schematic diagram



Arrangement of the pin assignment, M12 plug, angled

Circuit diagram



Contact assignment of the M12 connector and the M12 socket

NBC-M12MRD-M12FSD/.../... - Network cable




1408691

<https://www.phoenixcontact.com/us/products/1408691>

Approvals

To download certificates, visit the product detail page: <https://www.phoenixcontact.com/us/products/1408691>

|  UL Listed Approval ID: FILE E 335024 | | | | |
|--|-----------------------|-----------------------|-------------------|-----------------------------|
| | Nominal voltage U_N | Nominal current I_N | Cross section AWG | Cross section mm^2 |
| keine | | | | |
| | 30 V | 4 A | - | - |

|  cUL Listed Approval ID: FILE E 335024 | | | | |
|---|-----------------------|-----------------------|-------------------|-----------------------------|
| | Nominal voltage U_N | Nominal current I_N | Cross section AWG | Cross section mm^2 |
| keine | | | | |
| | 30 V | 4 A | - | - |

|  EAC-RoHS Approval ID: RU D-DE.HB35.B.00387 | |
|--|--|
|--|--|

NBC-M12MRD-M12FSD/.../... - Network cable



1408691

<https://www.phoenixcontact.com/us/products/1408691>

Classifications

ECLASS

| | |
|-------------|----------|
| ECLASS-13.0 | 27060307 |
| ECLASS-15.0 | 27060307 |

UNSPSC

| | |
|-------------|----------|
| UNSPSC 21.0 | 26121600 |
|-------------|----------|

NBC-M12MRD-M12FSD/.../... - Network cable



1408691

<https://www.phoenixcontact.com/us/products/1408691>

Environmental product compliance

EU RoHS

| | |
|---|--------------------|
| Fulfills EU RoHS substance requirements | Yes, No exemptions |
|---|--------------------|

China RoHS

| | |
|--|--|
| Environment friendly use period (EFUP) | EFUP-E |
| | No hazardous substances above the limits |

EU REACH SVHC

| | |
|-------------------------------------|----------------------------|
| REACH candidate substance (CAS No.) | No substance above 0.1 wt% |
|-------------------------------------|----------------------------|

Phoenix Contact 2026 © - all rights reserved
<https://www.phoenixcontact.com>

Phoenix Contact USA
586 Fulling Mill Road
Middletown, PA 17057, United States
(+717) 944-1300
info@phoenixcon.com