

SAC-3P-M12Y/2X0,3PUR/C-1L-V IT - Sensor/actuator cable



1408578

<https://www.phoenixcontact.com/us/products/1408578>

Please be informed that the data shown in this PDF document is generated from our online catalog. Please find the complete data in the user documentation. Our general terms of use for downloads are valid.



Sensor/actuator cable, 3-position, PUR halogen-free, black-gray RAL 7021, Plug straight M12, coding: A, on Valve connector C (8 mm) and Valve connector C (8 mm), cable length: 0.3 m

Commercial data

Item number	1408578
Packing unit	1 pc
Minimum order quantity	50 pc
Note	Made to order (non-returnable)
Sales key	02
Product key	AF1COA
GTIN	4046356826402
Weight per piece (including packing)	54.2 g
Weight per piece (excluding packing)	54.2 g
Country of origin	PL

SAC-3P-M12Y/2X0,3PUR/C-1L-V IT - Sensor/actuator cable



1408578

<https://www.phoenixcontact.com/us/products/1408578>

Technical data

Product properties

Product type	Distributor with cable
Number of positions	3
No. of cable outlets	2
Shielded	no
Coding	A

Insulation characteristics

Overvoltage category	II
Degree of pollution	3

Material specifications

Flammability rating according to UL 94	HB
Material housing valve plug	PBT
Material of grip body	TPU, hardly inflammable, self-extinguishing
Contact material	CuSn
Contact surface material	Ni/Au
Contact carrier material	TPU GF
Contact material	CuSn
Valve plug contact insert material	PBT
Contact surface material	Ag
Material for screw connection	Zinc die-cast, nickel-plated
Outer sheath, material	PUR
Conductor material	Bare Cu litz wires

Electrical properties

Insulation resistance	$\geq 100 \text{ M}\Omega$
Nominal voltage U_N	48 V AC
	60 V DC
Nominal current I_N	4 A
Max. conductor resistance	58 Ω /m

Mechanical properties

Mechanical data

Insertion/withdrawal cycles	≥ 100
Max. bending cycles	4000000

Connector

Connection 1

Type	Plug straight M12
Coding type	A

SAC-3P-M12Y/2X0,3PUR/C-1L-V IT - Sensor/actuator cable



1408578

<https://www.phoenixcontact.com/us/products/1408578>

Connection 2

Type	Valve connector C (8 mm)
Material	CuSn (Contact)
	Ag (Contact surface)
	PBT (Contact carrier)
	PBT (Housing)

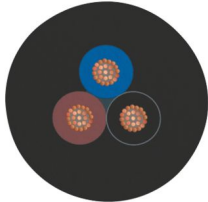
Connection 3

Type	Valve connector C (8 mm)
Material	CuSn (Contact)
	Ag (Contact surface)
	PBT (Contact carrier)
	PBT (Housing)

Cable/line

Cable length	0.3 m
--------------	-------

PUR halogen-free black [PUR]

Dimensional drawing	
Cable weight	23 kg/km
UL AWM Style	20549
Number of positions	3
Shielded	no
Cable type	PUR halogen-free black [PUR]
Conductor structure signal line	42x 0.10 mm
AWG signal line	22
Conductor cross-section	3x 0.34 mm ² (Signal line)
Wire diameter incl. insulation	1.27 mm ±0.02 mm (Signal line)
External cable diameter	3.85 mm ±0.15 mm
Outer sheath, material	PUR
External sheath, color	black-gray RAL 7021
Conductor material	Bare Cu litz wires
Material wire insulation	PP
Single wire, color	brown, blue, black
Thickness, insulation	≥ 0.21 mm (Core insulation)
	approx. 0.50 mm (Outer cable sheath)
Overall twist	3 wires, twisted

SAC-3P-M12Y/2X0,3PUR/C-1L-V IT - Sensor/actuator cable



1408578

<https://www.phoenixcontact.com/us/products/1408578>

Max. conductor resistance	max. 58 Ω/km (at 20 °C)
Insulation resistance	≥ 100 GΩ*km (at 20 °C)
Nominal voltage, cable	≤ 300 V
Test voltage	≥ 3000 V
Smallest bending radius, fixed installation	19 mm
Smallest bending radius, movable installation	38 mm
Dynamic load capacity (bending)	Max. bending cycles: 10000000, Bending radius: 38 mm, Bending radius: 10 x D, Traversing path: 10 m, Traversing rate: 3 m/s, Acceleration: 10 m/s ²
Dynamic load capacity (torsion)	Torsion: ±180 °/m, Torsion cycles: ≥5000000, Torsional frequency: 35 cycles/min.
Halogen-free	in accordance with DIN VDE 0472 part 815
Flame resistance	in accordance with UL 758/1581 FT2 DIN EN 60332-2-2 (20 s)
Resistance to oil	in accordance with DIN EN 60811-2-1
Other resistance	Highly resistant to acids, alkaline solutions and solvents hydrolysis and microbe resistant partly UV-resistant (in accordance with DIN EN ISO 4892-2-A)
Special properties	Flexible cable conduit capable Silicone-free Free of substances which would hinder coating with paint or varnish
Ambient temperature (operation)	-40 °C ... 80 °C (cable, fixed installation) -25 °C ... 80 °C (Cable, flexible installation)

Environmental and real-life conditions

Ambient conditions

Degree of protection	IP65 IP67 IP68
Ambient temperature (operation)	-25 °C ... 90 °C (Plug / socket)
Ambient temperature (operation) (Cable, fixed installation)	-40 °C ... 80 °C (cable, fixed installation)
Ambient temperature (operation) (Cable, flexible installation)	-5 °C ... 80 °C (Cable, flexible installation)

Standards and regulations

Standard designation	M12 connector
----------------------	---------------

SAC-3P-M12Y/2X0,3PUR/C-1L-V IT - Sensor/actuator cable

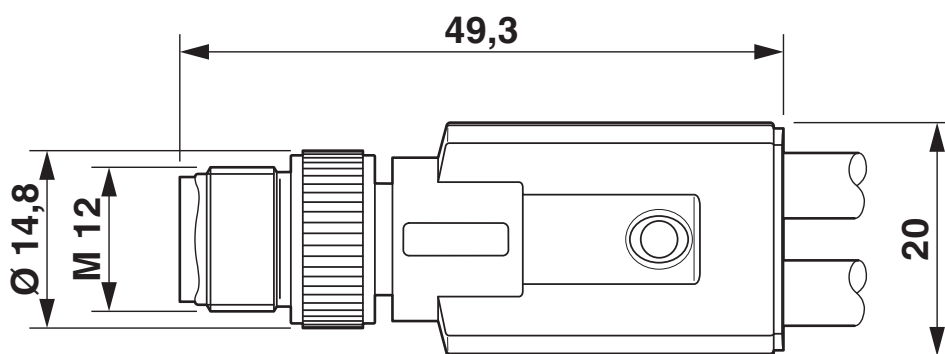


1408578

<https://www.phoenixcontact.com/us/products/1408578>

Drawings

Dimensional drawing



Plug M12 x 1, Y distributor

SAC-3P-M12Y/2X0,3PUR/C-1L-V IT - Sensor/actuator cable

1408578

<https://www.phoenixcontact.com/us/products/1408578>

Schematic diagram



Pin assignment M12 Y plug, 4-pos., A-coded, view plug side

SAC-3P-M12Y/2X0,3PUR/C-1L-V IT - Sensor/actuator cable



1408578

<https://www.phoenixcontact.com/us/products/1408578>

Classifications

ECLASS

ECLASS-13.0	27060313
ECLASS-15.0	27060313

ETIM

ETIM 10.0	EC001855
-----------	----------

UNSPSC

UNSPSC 21.0	26121600
-------------	----------

SAC-3P-M12Y/2X0,3PUR/C-1L-V IT - Sensor/actuator cable



1408578

<https://www.phoenixcontact.com/us/products/1408578>

Environmental product compliance

EU RoHS

Fulfills EU RoHS substance requirements	Yes, No exemptions
---	--------------------

China RoHS

Environment friendly use period (EFUP)	EFUP-E
	No hazardous substances above the limits

EU REACH SVHC

REACH candidate substance (CAS No.)	No substance above 0.1 wt%
-------------------------------------	----------------------------

Phoenix Contact 2026 © - all rights reserved
<https://www.phoenixcontact.com>

Phoenix Contact USA
586 Fulling Mill Road
Middletown, PA 17057, United States
(+717) 944-1300
info@phoenixcon.com