

HC-MOD-K-TMS-M1M20-G-PE - Housing



1408520

<https://www.phoenixcontact.com/us/products/1408520>

Please be informed that the data shown in this PDF document is generated from our online catalog. Please find the complete data in the user documentation. Our general terms of use for downloads are valid.



HEAVYCON plastic sleeve housing, for modules for one module slot, with PE marking for pos. 1, with snap locking

Commercial data

Item number	1408520
Packing unit	1 pc
Note	Made to order (non-returnable)
Sales key	BF62
Product key	AF7ACZ
GTIN	4046356619264
Weight per piece (including packing)	42.62 g
Weight per piece (excluding packing)	42.62 g
Customs tariff number	85389099
Country of origin	DE

HC-MOD-K-TMS-M1M20-G-PE - Housing

1408520

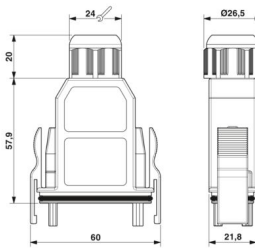
<https://www.phoenixcontact.com/us/products/1408520>

Technical data

Product properties

No. of cable outlets	1
Type of the screw connection	1x M20
Cable outlet	straight
Pg screw connection	with

Dimensions

Dimensional drawing	
Width	60 mm
Height	57.9 mm
Length	21.8 mm

Material specifications

Flammability rating according to UL 94	V0
Seal material	NBR
Housing material	PC
Material for screw connection	PA

Cable/line

External cable diameter Cable 1	6 mm ... 13 mm
---------------------------------	----------------

Mechanical properties

Mechanical data

Type of the screw connection	1x M20
Locking type	Latch

Environmental and real-life conditions

Ambient conditions

Degree of protection	IP65 (When plugged in)
Ambient temperature (operation)	-40 °C ... 85 °C

Mounting

Assembly note	For housing with PE marking, pos. 1 of the module is used as PE
---------------	---

HC-MOD-K-TMS-M1M20-G-PE - Housing

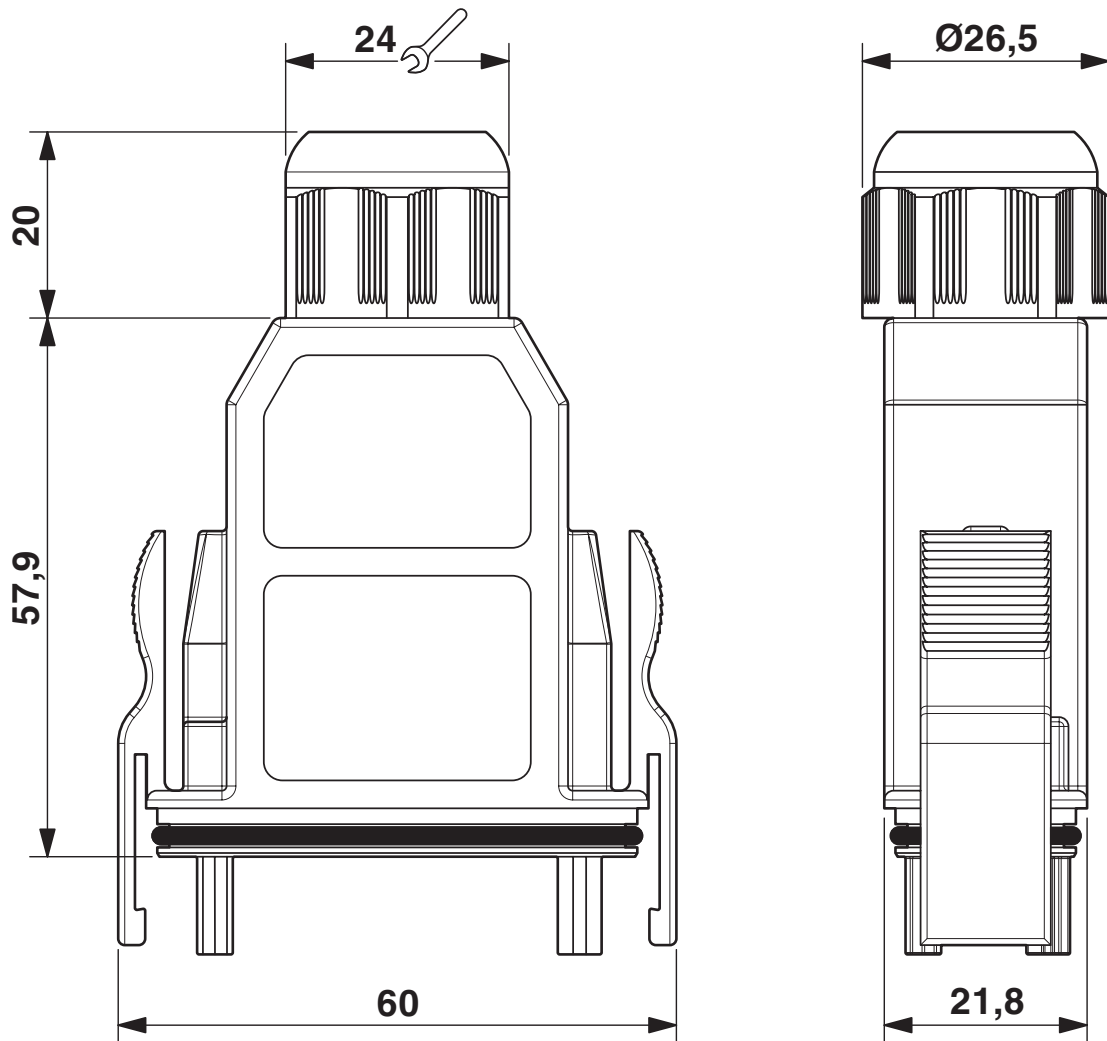
1408520

<https://www.phoenixcontact.com/us/products/1408520>



Drawings

Dimensional drawing



Dimensional drawing

HC-MOD-K-TMS-M1M20-G-PE - Housing



1408520

<https://www.phoenixcontact.com/us/products/1408520>

Environmental product compliance

EU RoHS

Fulfills EU RoHS substance requirements	Yes, No exemptions
---	--------------------

China RoHS

Environment friendly use period (EFUP)	EFUP-E
	No hazardous substances above the limits

EU REACH SVHC

REACH candidate substance (CAS No.)	No substance above 0.1 wt%
-------------------------------------	----------------------------

Phoenix Contact 2026 © - all rights reserved
<https://www.phoenixcontact.com>

Phoenix Contact USA
586 Fulling Mill Road
Middletown, PA 17057, United States
(+717) 944-1300
info@phoenixcon.com