

HC-COM- 4/2-ESTC - Contact insert



1408504

<https://www.phoenixcontact.com/us/products/1408504>

Please be informed that the data shown in this PDF document is generated from our online catalog. Please find the complete data in the user documentation. Our general terms of use for downloads are valid.



Contact insert, number of positions: 4+2+PE, size: COM, power contacts: 4, control contacts: 2, Pin, Crimp connection, 250 V, 40 A, 0.14 mm² ... 2.5 mm², application: Power/signal, Only suitable for plastic housings

Product description

Contact insert, incl. 4 mounting screws

Your advantages

- Shock and vibration-resistant in accordance with DIN EN 61373

Commercial data

Item number	1408504
Packing unit	2 pc
Minimum order quantity	1 pc
Sales key	BF61
Product key	AF7ABH
GTIN	4046356618212
Weight per piece (including packing)	21.63 g
Weight per piece (excluding packing)	21 g
Customs tariff number	85389099
Country of origin	CN

HC-COM- 4/2-ESTC - Contact insert



1408504

<https://www.phoenixcontact.com/us/products/1408504>

Technical data

Mounting

Assembly note	To ensure correct use, installation in housing with IP54 protection or better is required
---------------	---

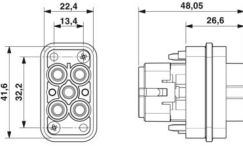
Product properties

Product type	Contact insert with a fixed no. of positions
Series	HC-COM
Application	Power/signal
Type	COM
Number of positions	6
Connection profile	4+2+PE
Contact numbering	1 - 4 (power contacts) 11 - 12 (control contacts)
No. of power contacts	4
No. of control contacts	2
Contact material type	turned

Insulation characteristics

Overvoltage category	III
Degree of pollution	3

Dimensions

Dimensional drawing	
Width	25.6 mm
Height	48.05 mm
Length	45 mm

Mechanical characteristics

Contact diameter	4 mm
------------------	------

Connection data

Connection technology

Connection technology	Crimp connection (Signal contacts) Crimp connection (power contacts)
Connection in acc. with standard	IEC / EN

Conductor connection

Conductor cross-section	0.14 mm ² ... 2.5 mm ² (control contacts)
-------------------------	---

HC-COM- 4/2-ESTC - Contact insert



1408504

<https://www.phoenixcontact.com/us/products/1408504>

	1.5 mm ² ... 6 mm ² (power contacts)
Connection cross section AWG	16 ... 10 (power contacts)
	26 ... 14 (control contacts)
Stripping length of the individual wire	9 mm (Power 1.5 ... 2.5 mm ²)
	9.6 mm (Power 4 ... 6 mm ²)
	8 mm (Signal)
	6 mm (Signal 2.5 mm ²)

Electrical properties

Rated voltage (III/3)	250 V (control contacts)
	400 V (Phase-ground power contacts)
	690 V (Phase-phase power contacts)
Rated voltage for power contacts	400/690 V
	250
Rated surge voltage	6 kV (Phase-phase power contacts)
	4 kV (control contacts)
Rated current	40 A (power contacts)
	10 A (control contacts)

Mechanical properties

Mechanical data

Insertion/withdrawal cycles	≥ 500
-----------------------------	-------

Material specifications

Flammability rating according to UL 94	V0
Seal material Profile gasket	NBR
Contact material	Copper alloy
Contact surface material	Ag (alternatively Au)
Contact carrier material	PC
Material of contact surface, power contact	Ag
Material of contact surface, control contact	Ag (alternatively Au)

Environmental and real-life conditions

Ambient conditions

Ambient temperature (operation)	-40 °C ... 100 °C (including heating up of contacts)
---------------------------------	--

HC-COM- 4/2-ESTC - Contact insert

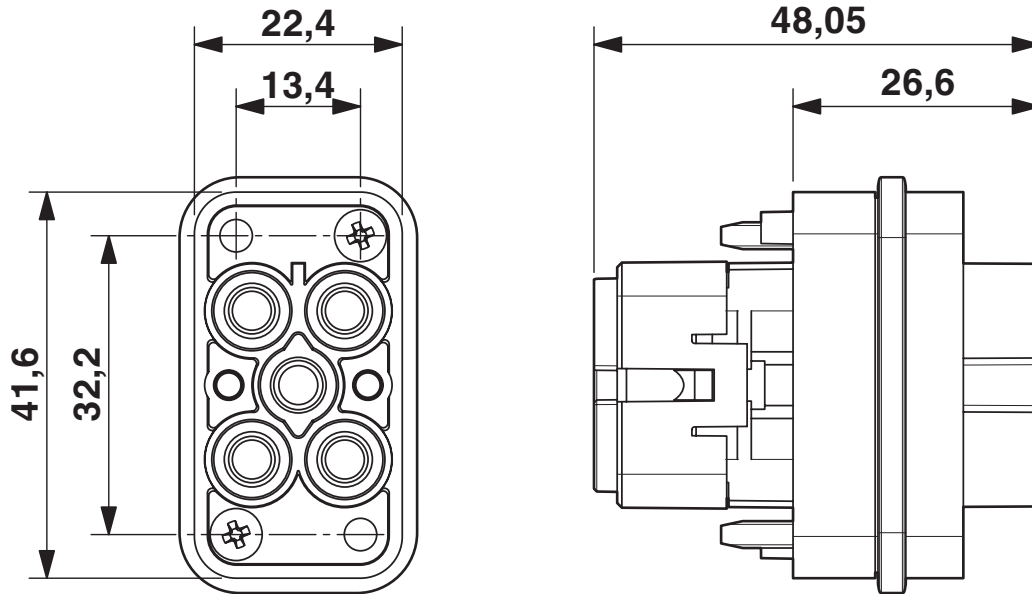


1408504

<https://www.phoenixcontact.com/us/products/1408504>

Drawings

Dimensional drawing



HC-COM-4/2-ESTC dimensional drawing

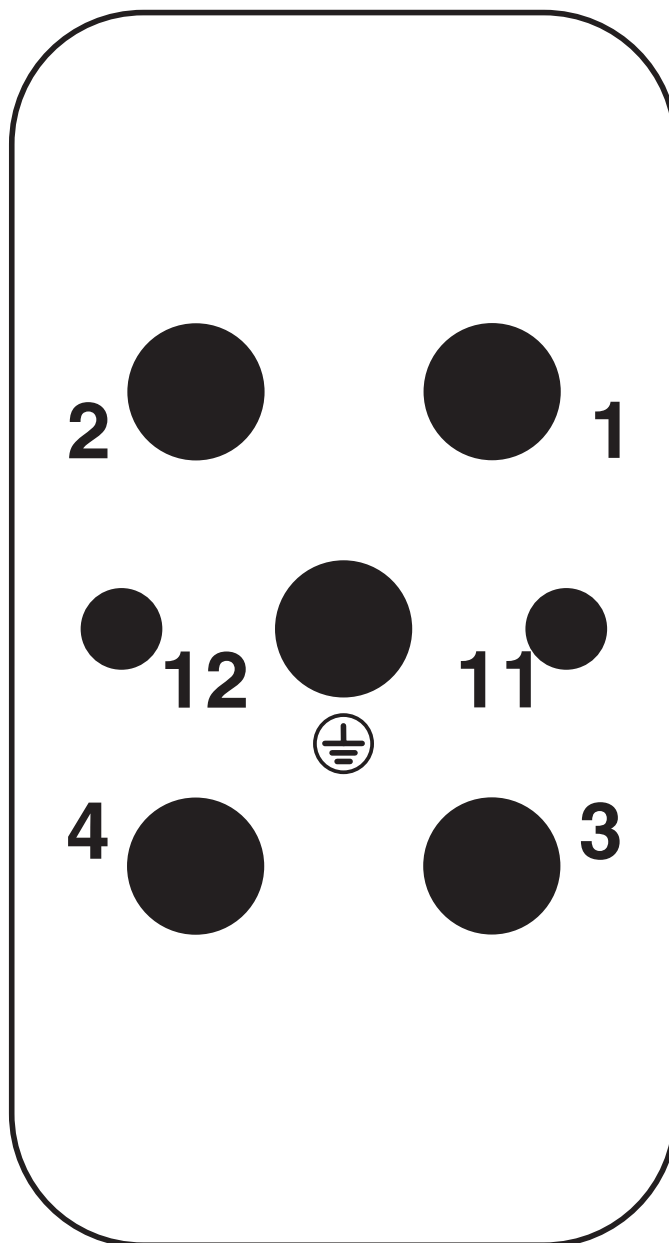
HC-COM- 4/2-ESTC - Contact insert

1408504

<https://www.phoenixcontact.com/us/products/1408504>



Schematic diagram



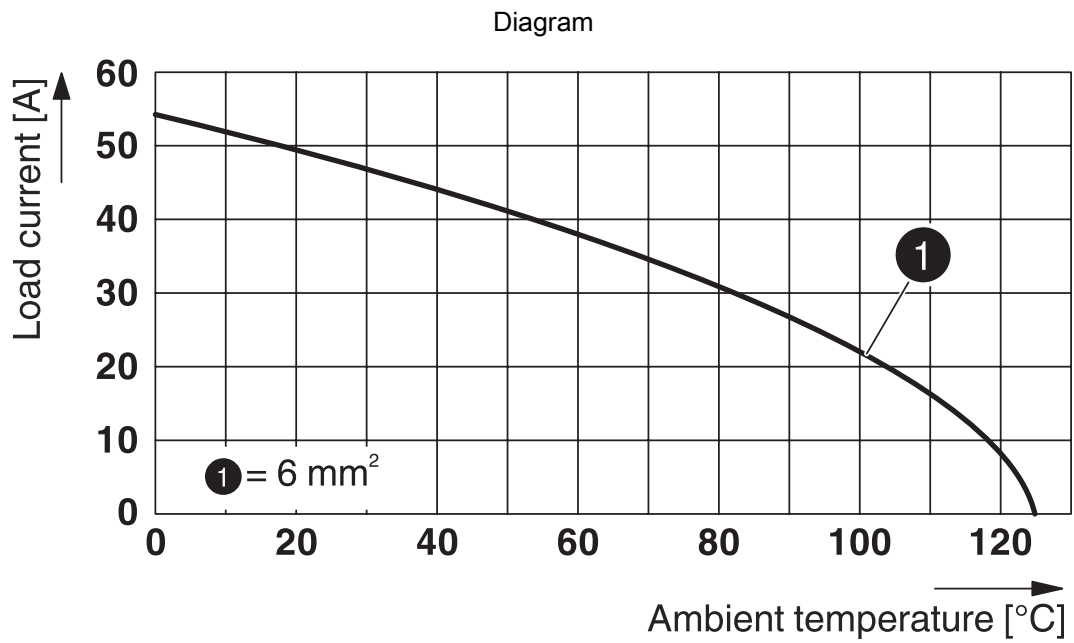
Connector pin assignment, connection side

HC-COM- 4/2-ESTC - Contact insert



1408504

<https://www.phoenixcontact.com/us/products/1408504>



Derating diagram power circuit for 6 mm² (control current 10 A)

HC-COM- 4/2-ESTC - Contact insert



1408504

<https://www.phoenixcontact.com/us/products/1408504>

Classifications

ECLASS

ECLASS-13.0	27440205
ECLASS-15.0	27440205

ETIM

ETIM 9.0	EC000438
----------	----------

UNSPSC

UNSPSC 21.0	39121500
-------------	----------

1408504

<https://www.phoenixcontact.com/us/products/1408504>

Environmental product compliance

EU RoHS

Fulfills EU RoHS substance requirements	Yes, No exemptions
---	--------------------

China RoHS

Environment friendly use period (EFUP)	EFUP-E
	No hazardous substances above the limits

EU REACH SVHC

REACH candidate substance (CAS No.)	Perfluorobutane sulfonic acid (PFBS) and its salts(CAS: n/a)
	6,6'-di-tert-butyl-2,2'-methylenedi-p-cresol(CAS: 119-47-1)
SCIP	bda4d8f2-f85c-4a39-862b-f22124e2cbcb

Phoenix Contact 2026 © - all rights reserved
<https://www.phoenixcontact.com>

Phoenix Contact USA
586 Fulling Mill Road
Middletown, PA 17057, United States
(+717) 944-1300
info@phoenixcon.com