

# HC-COM- 8-ESTC - Contact insert



1408481

<https://www.phoenixcontact.com/us/products/1408481>

Please be informed that the data shown in this PDF document is generated from our online catalog. Please find the complete data in the user documentation. Our general terms of use for downloads are valid.



Contact insert, number of positions: 8+PE, size: COM, power contacts: 8, control contacts: 0, number of connections per position: 1, Pin, Crimp connection, 500 V, 16 A, 0.5 mm<sup>2</sup> ... 4 mm<sup>2</sup>, application: Power, Only suitable for plastic housings

## Product description

Contact insert, incl. 4 mounting screws

## Your advantages

- Shock and vibration-resistant in accordance with DIN EN 61373

## Commercial data

Item number	1408481
Packing unit	2 pc
Minimum order quantity	2 pc
Sales key	BF61
Product key	AF7ABH
GTIN	4046356618199
Weight per piece (including packing)	18.05 g
Weight per piece (excluding packing)	18.05 g
Customs tariff number	85389099
Country of origin	CN

# HC-COM- 8-ESTC - Contact insert



1408481

<https://www.phoenixcontact.com/us/products/1408481>

## Technical data

### Mounting

Assembly note	To ensure correct use, installation in housing with IP54 protection or better is required
---------------	---

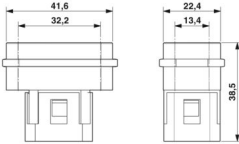
### Product properties

Product type	Contact insert with a fixed no. of positions
Series	HC-COM
Application	Power
Type	COM
Number of positions	8
Connection profile	8+PE
Contact numbering	1 - 8
Number of connections per position	1
No. of power contacts	8
No. of control contacts	0
Contact material type	turned

### Insulation characteristics

Overvoltage category	III
Degree of pollution	3

### Dimensions

Dimensional drawing	
Width	25.6 mm
Height	38.5 mm
Length	45 mm

### Mechanical characteristics

Contact diameter	2.5 mm
------------------	--------

### Connection data

#### Connection technology

Connection technology	Crimp connection
Number of connections per position	1
Connection in acc. with standard	IEC / EN

#### Conductor connection

Conductor cross-section	0.5 mm <sup>2</sup> ... 4 mm <sup>2</sup>
-------------------------	---

# HC-COM- 8-ESTC - Contact insert



1408481

<https://www.phoenixcontact.com/us/products/1408481>

Connection cross section AWG	20 ... 12
Stripping length of the individual wire	7.5 mm

## Electrical properties

Rated voltage (III/3)	500 V
Rated voltage for power contacts	500
Rated surge voltage	6 kV
Rated current	16 A

## Mechanical properties

### Mechanical data

Insertion/withdrawal cycles	≥ 500
-----------------------------	-------

## Material specifications

Flammability rating according to UL 94	V0
Seal material Profile gasket	NBR
Contact material	Copper alloy
Contact surface material	Ag (alternatively Au)
Contact carrier material	PC

## Environmental and real-life conditions

### Ambient conditions

Ambient temperature (operation)	-40 °C ... 100 °C (including heating up of contacts)
---------------------------------	--

# HC-COM- 8-ESTC - Contact insert

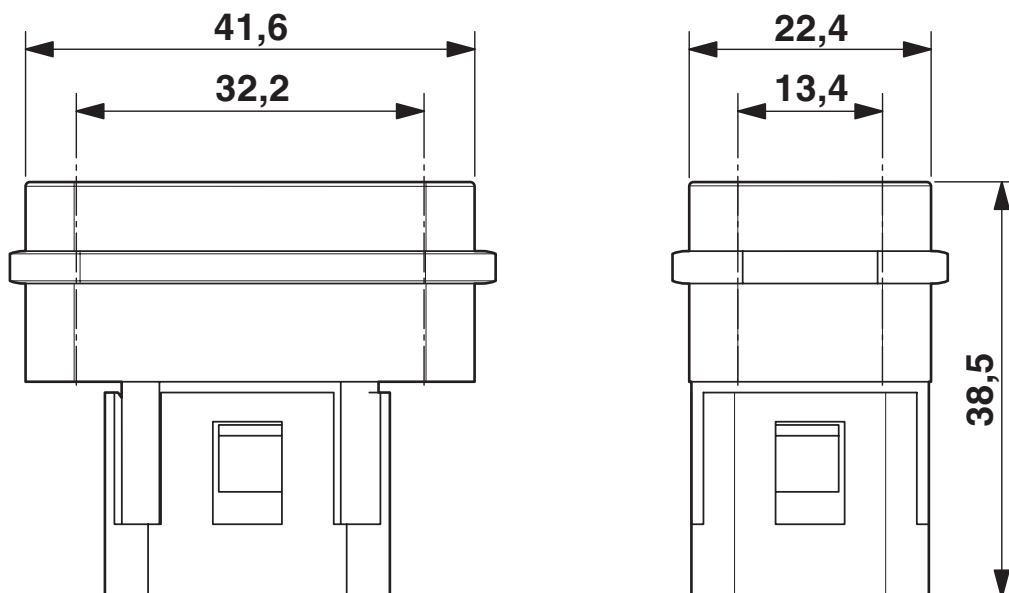


1408481

<https://www.phoenixcontact.com/us/products/1408481>

## Drawings

Dimensional drawing



HC-COM-8-ESTC dimensional drawing

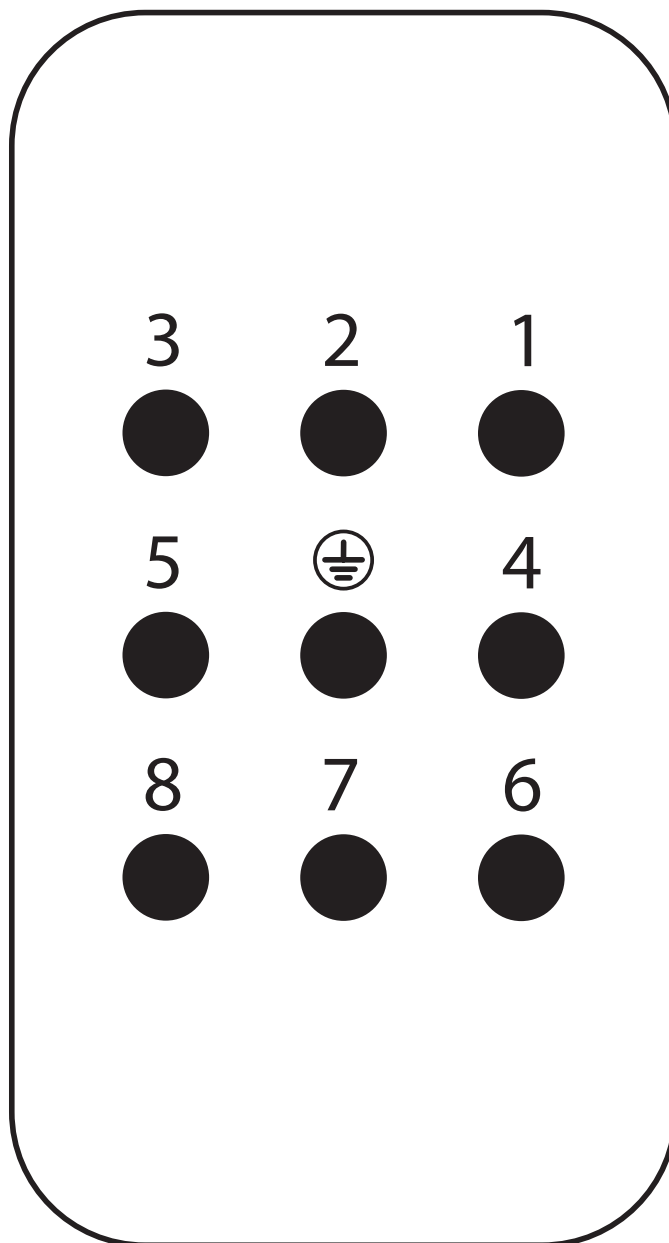
# HC-COM- 8-ESTC - Contact insert

1408481

<https://www.phoenixcontact.com/us/products/1408481>



Schematic diagram



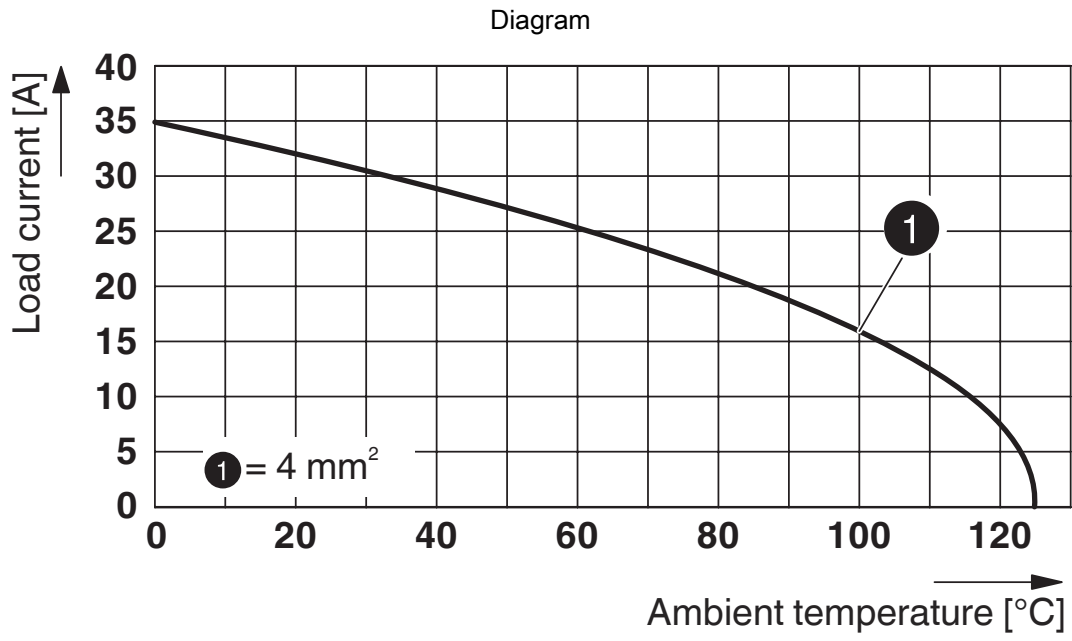
Connector pin assignment, connection side

# HC-COM- 8-ESTC - Contact insert



1408481

<https://www.phoenixcontact.com/us/products/1408481>



Derating diagram for 4 mm<sup>2</sup>

# HC-COM- 8-ESTC - Contact insert





1408481


<https://www.phoenixcontact.com/us/products/1408481>


## Approvals

To download certificates, visit the product detail page: <https://www.phoenixcontact.com/us/products/1408481>

 <b>CSA</b> Approval ID: 260458				
	Nominal voltage $U_N$	Nominal current $I_N$	Cross section AWG	Cross section $\text{mm}^2$
keine				
	600 V	19 A	20 - 12	-

 <b>cUL Recognized</b> Approval ID: E118976				
	Nominal voltage $U_N$	Nominal current $I_N$	Cross section AWG	Cross section $\text{mm}^2$
keine				
	600 V	-	20 - 12	-

 <b>UL Recognized</b> Approval ID: E118976				
	Nominal voltage $U_N$	Nominal current $I_N$	Cross section AWG	Cross section $\text{mm}^2$
keine				
	600 V	-	20 - 12	-

 <b>EAC</b> Approval ID: RU C-DE.AI30.B.01102				
---	--	--	--	--

# HC-COM- 8-ESTC - Contact insert



1408481

<https://www.phoenixcontact.com/us/products/1408481>

## Classifications

### ECLASS

ECLASS-13.0	27440205
ECLASS-15.0	27440205

### ETIM

ETIM 9.0	EC000438
----------	----------

### UNSPSC

UNSPSC 21.0	39121500
-------------	----------

# HC-COM- 8-ESTC - Contact insert



1408481

<https://www.phoenixcontact.com/us/products/1408481>

## Environmental product compliance

### EU RoHS

Fulfills EU RoHS substance requirements	Yes, No exemptions
---	--------------------

### China RoHS

Environment friendly use period (EFUP)	EFUP-E
	No hazardous substances above the limits

### EU REACH SVHC

REACH candidate substance (CAS No.)	Perfluorobutane sulfonic acid (PFBS) and its salts(CAS: n/a)
	6,6'-di-tert-butyl-2,2'-methylenedi-p-cresol(CAS: 119-47-1)
SCIP	76c7aad8-a8c2-4656-8cbd-e33904d0e5bb

Phoenix Contact 2026 © - all rights reserved  
<https://www.phoenixcontact.com>

Phoenix Contact USA  
586 Fulling Mill Road  
Middletown, PA 17057, United States  
(+717) 944-1300  
[info@phoenixcon.com](mailto:info@phoenixcon.com)