

HC-COM-K-AML-GR - Housing

1408355

<https://www.phoenixcontact.com/us/products/1408355>

Please be informed that the data shown in this PDF document is generated from our online catalog. Please find the complete data in the user documentation. Our general terms of use for downloads are valid.

Panel mounting base with single locking engagement nose, straight design



Commercial data

Item number	1408355
Packing unit	1 pc
Note	Made to order (non-returnable)
Sales key	BF59
Product key	AF7AAH
GTIN	4046356618090
Weight per piece (including packing)	27.1 g
Weight per piece (excluding packing)	26.8 g
Customs tariff number	85389099
Country of origin	CN

1408355

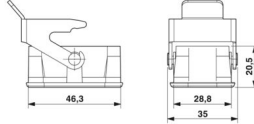
<https://www.phoenixcontact.com/us/products/1408355>

Technical data

Product properties

Product type	Housing with locking latch
Housing type	Panel mounting base
Product family	HC-COM
Application	Standard
Type	COM
Pg screw connection	none

Dimensions

Dimensional drawing	
Width	46 mm
Height	20.5 mm
Length	29 mm

Installation dimensions

Width of the assembly cutout	22.7 mm
Length of the assembly cutout	26 mm

Material specifications

Flammability rating according to UL 94	V0
Seal material	NBR
Housing material	PC
Locking latch material	Stainless steel

Mechanical properties

Mechanical data

Locking type	Latch
--------------	-------

Environmental and real-life conditions

Ambient conditions

Degree of protection	IP65
	IP66
Ambient temperature (operation)	-40 °C ... 125 °C

HC-COM-K-AML-GR - Housing

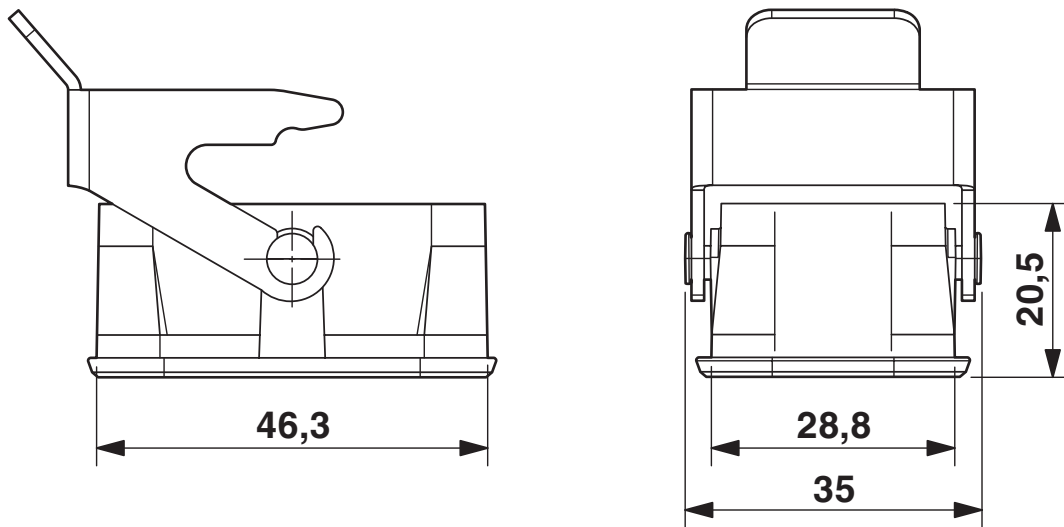


1408355

<https://www.phoenixcontact.com/us/products/1408355>

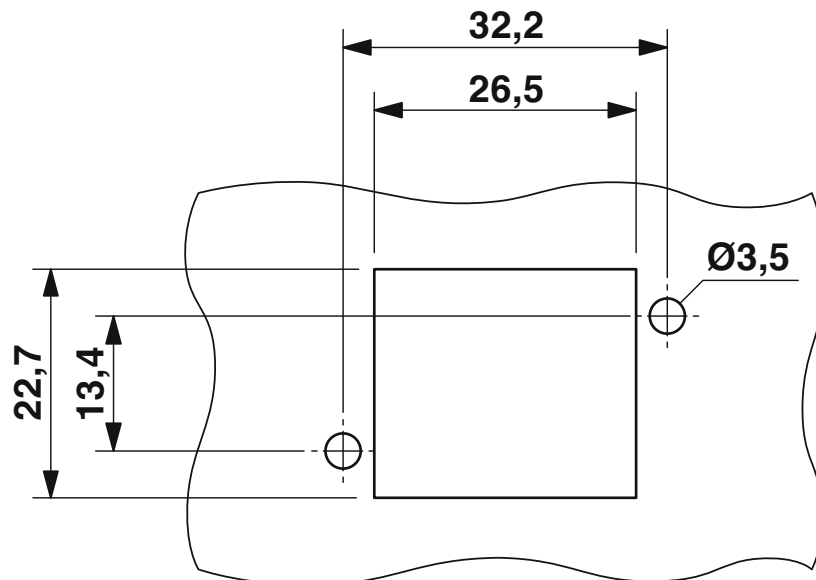
Drawings

Dimensional drawing



Dimensional drawing

Dimensional drawing



Mounting cutout

HC-COM-K-AML-GR - Housing



1408355

<https://www.phoenixcontact.com/us/products/1408355>

Classifications

ECLASS

ECLASS-13.0	27440202
ECLASS-15.0	27440202

UNSPSC

UNSPSC 21.0	31261500
-------------	----------

1408355

<https://www.phoenixcontact.com/us/products/1408355>

Environmental product compliance

EU RoHS

Fulfills EU RoHS substance requirements	Yes, No exemptions
---	--------------------

China RoHS

Environment friendly use period (EFUP)	EFUP-E
	No hazardous substances above the limits

EU REACH SVHC

REACH candidate substance (CAS No.)	No substance above 0.1 wt%
-------------------------------------	----------------------------

Phoenix Contact 2026 © - all rights reserved
<https://www.phoenixcontact.com>

Phoenix Contact USA
586 Fulling Mill Road
Middletown, PA 17057, United States
(+717) 944-1300
info@phoenixcon.com