

HC-COM-K-TFL-O1PG16-S - Housing



1408339

<https://www.phoenixcontact.com/us/products/1408339>

Please be informed that the data shown in this PDF document is generated from our online catalog. Please find the complete data in the user documentation. Our general terms of use for downloads are valid.



Sleeve housing for single locking engagement nose, lateral cable outlet, for HC-COM-K-KV-PG16 screw connections...

Commercial data

Item number	1408339
Packing unit	2 pc
Minimum order quantity	1 pc
Note	Made to order (non-returnable)
Sales key	BF59
Product key	AF7AAH
GTIN	4046356618076
Weight per piece (including packing)	26.65 g
Weight per piece (excluding packing)	26 g
Customs tariff number	85389099
Country of origin	CN

HC-COM-K-TFL-O1PG16-S - Housing

1408339

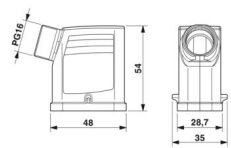
<https://www.phoenixcontact.com/us/products/1408339>

Technical data

Product properties

Product type	Housing with locking latch
Housing type	Sleeve housing
Product family	HC-COM
Application	Standard
Type	COM
No. of cable outlets	1
Type of the screw connection	1x Pg16
Cable outlet	lateral
Pg screw connection	none

Dimensions

Dimensional drawing	
Width	46 mm
Height	54 mm
Length	29 mm

Material specifications

Flammability rating according to UL 94	V0
Housing material	PC

Mechanical properties

Mechanical data

Type of the screw connection	1x Pg16
Locking type	Pin

Environmental and real-life conditions

Ambient conditions

Degree of protection	IP65
	IP66
Ambient temperature (operation)	-40 °C ... 125 °C

HC-COM-K-TFL-O1PG16-S - Housing

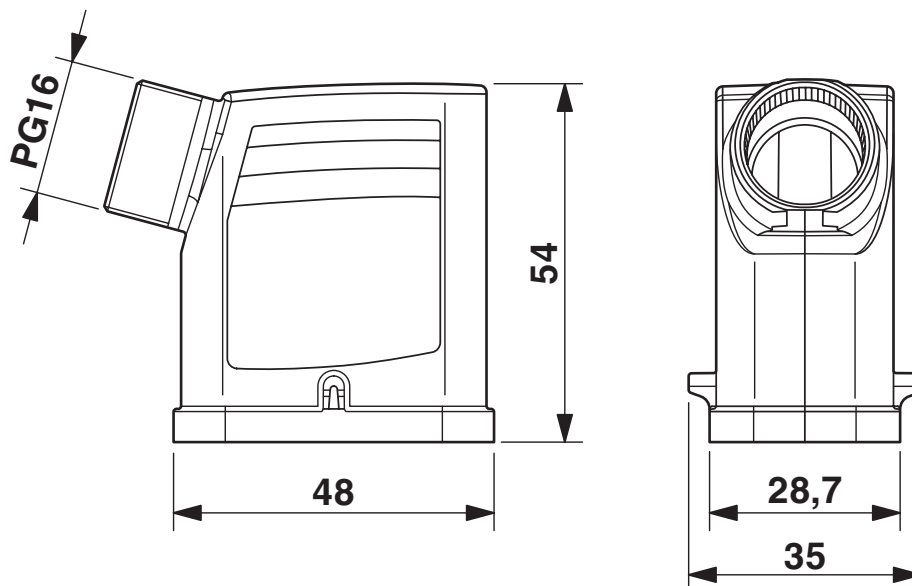


1408339

<https://www.phoenixcontact.com/us/products/1408339>

Drawings

Dimensional drawing



Dimensional drawing

HC-COM-K-TFL-O1PG16-S - Housing



1408339

<https://www.phoenixcontact.com/us/products/1408339>

Classifications

ECLASS

ECLASS-13.0	27440202
ECLASS-15.0	27440202

UNSPSC

UNSPSC 21.0	31261500
-------------	----------

1408339

<https://www.phoenixcontact.com/us/products/1408339>

Environmental product compliance

EU RoHS

Fulfills EU RoHS substance requirements	Yes, No exemptions
---	--------------------

China RoHS

Environment friendly use period (EFUP)	EFUP-E
	No hazardous substances above the limits

EU REACH SVHC

REACH candidate substance (CAS No.)	No substance above 0.1 wt%
-------------------------------------	----------------------------

Phoenix Contact 2026 © - all rights reserved
<https://www.phoenixcontact.com>

Phoenix Contact USA
586 Fulling Mill Road
Middletown, PA 17057, United States
(+717) 944-1300
info@phoenixcon.com