

HC-B32-TMS-OSTM(32-32-20)G-EEE - Housing



1408300

<https://www.phoenixcontact.com/us/products/1408300>

Please be informed that the data shown in this PDF document is generated from our online catalog. Please find the complete data in the user documentation. Our general terms of use for downloads are valid.



HEAVYCON ADVANCE B32 sleeve housing, for increased environmental requirements, EMC conductive, with Allen screw locking, with 2 x M32/1 x M20 straight cable outlet

Commercial data

| | |
|--------------------------------------|---------------|
| Item number | 1408300 |
| Packing unit | 6 pc |
| Minimum order quantity | 100 pc |
| Product key | AF7AAA |
| GTIN | 4046356573283 |
| Weight per piece (including packing) | 624.5 g |
| Weight per piece (excluding packing) | 400 g |
| Country of origin | DE |

HC-B32-TMS-OSTM(32-32-20)G-EEE - Housing



1408300

<https://www.phoenixcontact.com/us/products/1408300>

Technical data

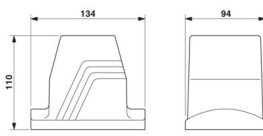
Product properties

| | |
|------------------------------|-----------------------------------|
| Product type | Housing with screw locking |
| Housing type | Sleeve housing |
| Application | Offshore/EMC |
| Type | B32 |
| No. of cable outlets | 3 |
| Type of the screw connection | 2x M32 / 1x M20 |
| Fixing screws | M6 (screw head: 5 mm Allen screw) |
| Cable outlet | straight |
| Pg screw connection | none |

Connection data

| | |
|-------------------|----------------------|
| Tightening torque | 3 Nm (Locking screw) |
|-------------------|----------------------|

Dimensions

| | |
|---------------------|--|
| Dimensional drawing |  |
| Width | 94 mm |
| Height | 100 mm |
| Length | 126 mm |

Installation dimensions

| | |
|-------------------------------|-------|
| Width of the assembly cutout | 70 mm |
| Length of the assembly cutout | 84 mm |

Material specifications

| | |
|--------------------------|--|
| Seal material | NBR, conductive |
| Housing material | Die-cast aluminum, corrosion resistant |
| Housing surface material | uncoated |
| Locking latch material | Stainless steel |

Environmental and real-life conditions

Ambient conditions

| | |
|-------------------------|---------------------|
| Degree of protection | IP66 |
| | IP68 (0.2 bar/24 h) |
| | IP69K |
| Enclosure rating (NEMA) | 4 (NEMA 250) |
| | 4X (NEMA 250) |

1408300

<https://www.phoenixcontact.com/us/products/1408300>

| | |
|---------------------------------|-------------------|
| | 6P (NEMA 250) |
| | 12 (NEMA 250) |
| Ambient temperature (operation) | -40 °C ... 125 °C |

Mechanical properties

Mechanical data

| | |
|------------------------------|-----------------|
| Type of the screw connection | 2x M32 / 1x M20 |
| Locking type | Screw |

Mounting

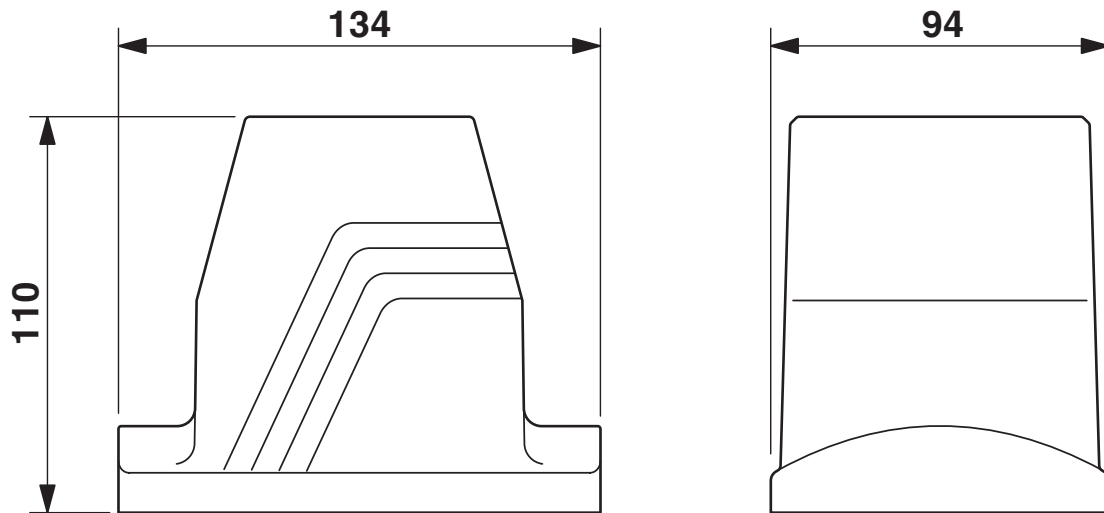
| | |
|---------------|--|
| Assembly note | In order to guarantee that the protective conductor contact functions even when plugged in at an angle, the two panel-mount flanges must have sufficient electrical contact with the metal mounting panel. |
| | To ensure optimum shielding, any insulating power coating must be removed from the profile gasket area on the control cabinet panel. Tightening torque of locking screw: 3 Nm. |
| Fixing screws | M6 (screw head: 5 mm Allen screw) |

1408300

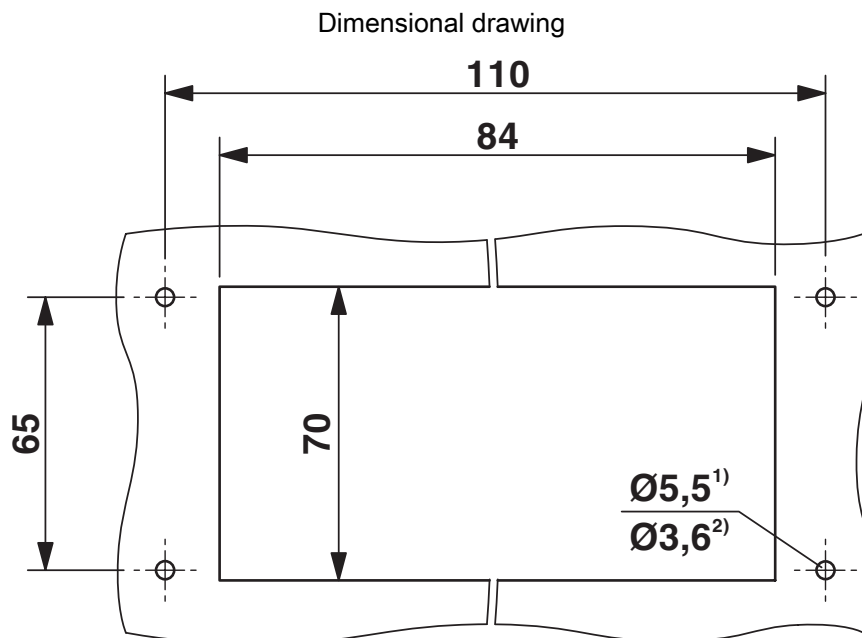
<https://www.phoenixcontact.com/us/products/1408300>

Drawings

Dimensional drawing



Dimensional drawing



Panel cutout

²⁾ when self-tapping screws are used (Torx® 20, M4)

HC-B32-TMS-OSTM(32-32-20)G-EEE - Housing



1408300

<https://www.phoenixcontact.com/us/products/1408300>

Classifications

ECLASS

| | |
|-------------|----------|
| ECLASS-13.0 | 27440202 |
| ECLASS-15.0 | 27440202 |

HC-B32-TMS-OSTM(32-32-20)G-EEE - Housing



1408300

<https://www.phoenixcontact.com/us/products/1408300>

Environmental product compliance

EU REACH SVHC

| REACH candidate substance (CAS No.) | No substance above 0.1 wt% |
|-------------------------------------|----------------------------|
|-------------------------------------|----------------------------|

Phoenix Contact 2026 © - all rights reserved

<https://www.phoenixcontact.com>

Phoenix Contact USA
586 Fulling Mill Road
Middletown, PA 17057, United States
(+717) 944-1300
info@phoenixcon.com