

VS-IP20-IP20-93E-LI/15,0 - Network cable



1408285

<https://www.phoenixcontact.com/us/products/1408285>

Please be informed that the data shown in this PDF document is generated from our online catalog. Please find the complete data in the user documentation. Our general terms of use for downloads are valid.



Assembled Ethernet cable, CAT5e, shielded, 2-pair, 26* AWG stranded (7-wire), RAL 5021 (water blue), RJ45 plug/IP20 to RJ45 plug/IP20, line, length: 15 m

Commercial data

Item number	1408285
Packing unit	1 pc
Minimum order quantity	1 pc
Product key	ABNABD
GTIN	4046356802505
Weight per piece (including packing)	657.8 g
Weight per piece (excluding packing)	657.8 g
Country of origin	PL

VS-IP20-IP20-93E-LI/15,0 - Network cable



1408285

<https://www.phoenixcontact.com/us/products/1408285>

Technical data

Product properties

Product type	Data cable preassembled
--------------	-------------------------

Cable/line

Ethernet [93E]

Shielded	yes
Cable weight	42 kg/km
Cable type	Ethernet
Cable type (abbreviation)	93E
Signal type/category	Ethernet CAT5 (IEC 11801:2002)
Cable structure	2x2xAWG26/7 PIMF
External cable diameter	6.70 mm
Outer sheath, material	PUR
External sheath, color	water blue RAL 5021
Conductor material	Bare Cu litz wires
Conductor structure signal line	7x 0.15 mm
AWG signal line	26
Conductor cross-section	2x 2x 0.14 mm ²
Material wire insulation	Cell PE
Wire diameter incl. insulation	≤ 1.05 mm
Single wire, color	white/orange-orange, white/green-green
Twisted pairs	2 cores to the pair
Type of pair shielding	Aluminum-lined polyester foil
Overall twist	Two pairs with two fillers to the core
Shielding	Tinned copper braided shield
Nominal voltage, cable	max. 125 V
Test voltage, cable	1000 V
Cable resistance	≤ 150 Ω/km
Cable insulation resistance	≥ 5 GΩ*km
Coupling resistance	5.00 mΩ/m (at 10 MHz)
Wave impedance	100 Ω ±5 % (at 100 MHz)
Working capacitance	42 pF
Signal speed	0.72 c
Tensile strength	30 N (for installation) 10 N (in accordance with installation)
Smallest bending radius, movable installation	34 mm
Shield attenuation	60.00 dB (up to 1000 MHz)
Halogen-free	complying with IEC 60754-1/2
Resistance to oil	in accordance with DIN EN 60811-2-1
Concentration of fumes	in accordance with IEC 61034-1/2
Flame resistance	complying with IEC 60332-2-2

VS-IP20-IP20-93E-LI/15,0 - Network cable



1408285

<https://www.phoenixcontact.com/us/products/1408285>

Other resistance	Microbe resistance as per VDE 0282 section 10
	Hydrolysis resistance as per DIN 53504
Special properties	Free of substances which would hinder coating with paint or varnish
Ambient temperature (operation)	-10 °C ... 50 °C (Cable, flexible installation)
	-40 °C ... 70 °C (cable, fixed installation)

VS-IP20-IP20-93E-LI/15,0 - Network cable

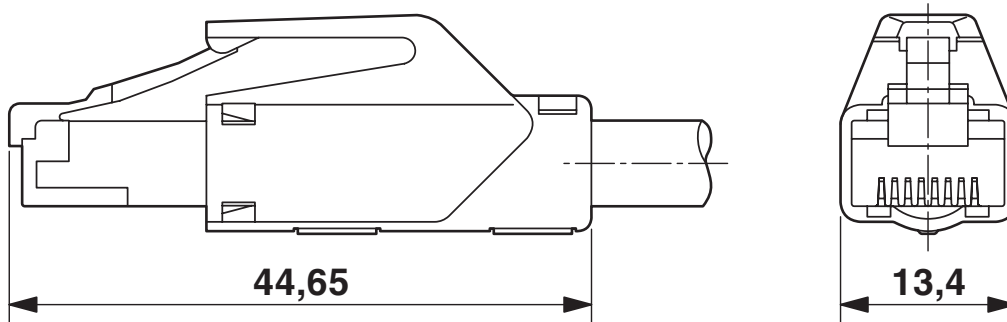


1408285

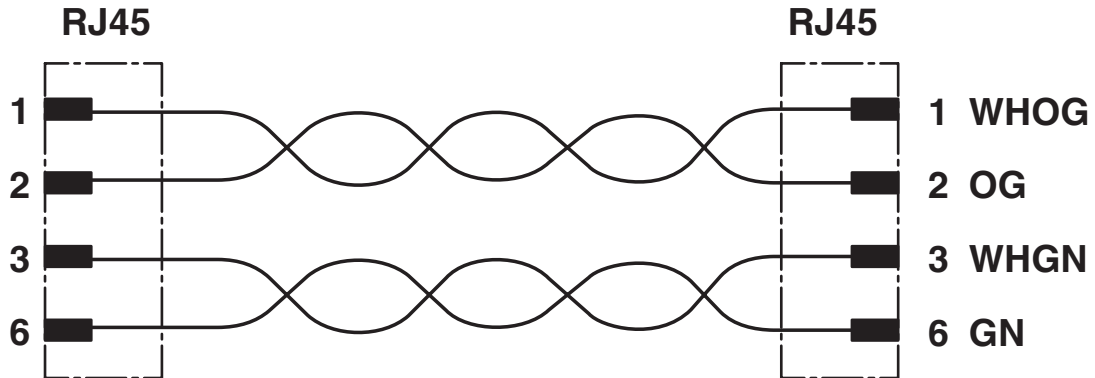
<https://www.phoenixcontact.com/us/products/1408285>

Drawings

Dimensional drawing



Circuit diagram



1408285

<https://www.phoenixcontact.com/us/products/1408285>

Environmental product compliance

EU RoHS

Fulfills EU RoHS substance requirements	Yes, No exemptions
---	--------------------

China RoHS

Environment friendly use period (EFUP)	EFUP-50
	An article-related China RoHS declaration table can be found in the download area for the respective article under "Manufacturer declaration". For all articles with EFUP-E, no China RoHS declaration table issued and required.

EU REACH SVHC

REACH candidate substance (CAS No.)	No substance above 0.1 wt%
-------------------------------------	----------------------------

Phoenix Contact 2026 © - all rights reserved

<https://www.phoenixcontact.com>

Phoenix Contact USA
586 Fulling Mill Road
Middletown, PA 17057, United States
(+717) 944-1300
info@phoenixcon.com