

EV-T2M3C-1AC20A-4,0M2,5ESRD00 - AC charging cable



1408274

<https://www.phoenixcontact.com/us/products/1408274>

Please be informed that the data shown in this PDF document is generated from our online catalog. Please find the complete data in the user documentation. Our general terms of use for downloads are valid.

CHARX connect, Type 2, cable: 4 m, IEC 62196-2, AC charging cable with Vehicle Connector, open cable end, with protective cap



Product description

AC charging cable with vehicle charging connector and free cable end for charging electric vehicles (EV) with alternating current (AC) via type 2 vehicle charging inlets, for installation at charging stations for e-mobility (EVSE)

Your advantages

- Consistent design of all Phoenix Contact Vehicle Connectors and Infrastructure Plugs
- Silver-plated surface of the power and signal contacts
- Developed and produced in accordance with the IATF 16949 automotive standard and ISO 9001
- Convenient handling, thanks to the ergonomic handle and additional, rubber grip components
- Material data available in the IMDS (International Material Data System of the automotive industry)

Commercial data

| | |
|--------------------------------------|---------------|
| Item number | 1408274 |
| Packing unit | 1 pc |
| Minimum order quantity | 1 pc |
| Product key | XWBAAC |
| GTIN | 4046356802307 |
| Weight per piece (including packing) | 1.951 g |
| Weight per piece (excluding packing) | 1.951 g |
| Country of origin | DE |

EV-T2M3C-1AC20A-4,0M2,5ESRD00 - AC charging cable



1408274

<https://www.phoenixcontact.com/us/products/1408274>

Technical data

Product properties

| | |
|-------------------|-------------------|
| Product type | AC charging cable |
| Product family | CHARX connect |
| Charging standard | Type 2 |
| Charging mode | Mode 3, Case C |

Electrical properties

Charging power and current (AC charging, 1-phase)

| | |
|--------------------------|-------------------|
| Type of charging current | AC single-phase |
| Charging current | 20 A AC (1-phase) |
| Charging power | 5 kW |

Cable/line

| | |
|--------------------------------|--------------|
| Cable length | 4 m |
| Stripping length of the sheath | 45 mm ±10 mm |
| Stripping length | 45 mm ±10 mm |

Standards and regulations

Standards

| | |
|-----------------------|-------------|
| Standards/regulations | IEC 62196-2 |
|-----------------------|-------------|

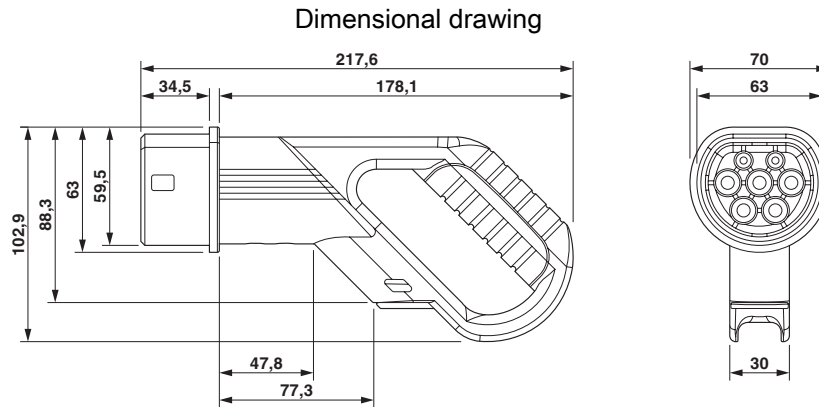
EV-T2M3C-1AC20A-4,0M2,5ESRD00 - AC charging cable



1408274

<https://www.phoenixcontact.com/us/products/1408274>

Drawings



Make sure that the vehicle charging connector is placed in an appropriate charging connector holder, which ensures a minimum protection rating of IP24 in accordance with IEC 61851-1, for the entire time between charging. To create this charging connector holder, use the dimensions of the vehicle charging connector. Detailed dimensions can also be found in the Download area.

EV-T2M3C-1AC20A-4,0M2,5ESRD00 - AC charging cable

1408274

<https://www.phoenixcontact.com/us/products/1408274>

Schematic diagram



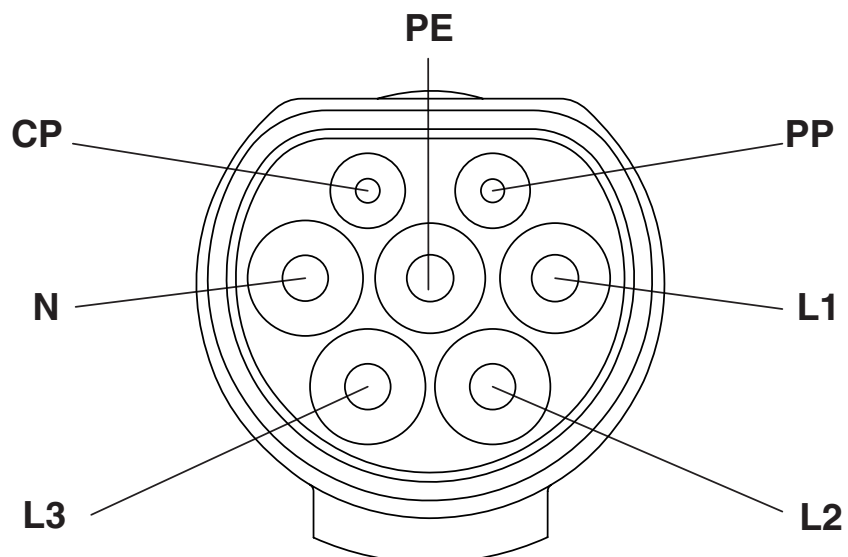
Operating instructions

EV-T2M3C-1AC20A-4,0M2,5ESRD00 - AC charging cable

1408274

<https://www.phoenixcontact.com/us/products/1408274>

Schematic diagram



Pin assignment of the Vehicle Connector

EV-T2M3C-1AC20A-4,0M2,5ESRD00 - AC charging cable



1408274

<https://www.phoenixcontact.com/us/products/1408274>

Environmental product compliance

EU RoHS

| | |
|---|------|
| Fulfills EU RoHS substance requirements | Yes |
| Exemption | 6(c) |

China RoHS

| | |
|--|---|
| Environment friendly use period (EFUP) | EFUP-10 |
| | An article-related China RoHS declaration table can be found in the download area for the respective article under "Manufacturer declaration". For all articles with EFUP-E, no China RoHS declaration table issued and required. |

EU REACH SVHC

| | |
|-------------------------------------|----------------------|
| REACH candidate substance (CAS No.) | Lead(CAS: 7439-92-1) |
|-------------------------------------|----------------------|

Phoenix Contact 2026 © - all rights reserved
<https://www.phoenixcontact.com>

Phoenix Contact USA
586 Fulling Mill Road
Middletown, PA 17057, United States
(+717) 944-1300
info@phoenixcon.com