

CUC-V14-C2ZNI-S/24FN5:FC - Power connector



1408234

<https://www.phoenixcontact.com/us/products/1408234>

Please be informed that the data shown in this PDF document is generated from our online catalog. Please find the complete data in the user documentation. Our general terms of use for downloads are valid.



Power connector, degree of protection: IP65, number of positions: 5, material: Die-cast zinc, connection method: Spring-cage connection, connection cross section: AWG 18- 13, cable outlet: straight, color: silver

Commercial data

Item number	1408234
Packing unit	1 pc
Minimum order quantity	1 pc
Product key	ABNOJA
GTIN	4046356801881
Weight per piece (including packing)	96 g
Weight per piece (excluding packing)	96 g
Country of origin	DE

1408234

<https://www.phoenixcontact.com/us/products/1408234>

Technical data

Product properties

Product type	Data plug
Sensor type	Universal
Number of positions	5
Connection profile	MSTB
Cable outlet	straight

Insulation characteristics

Degree of pollution	2
---------------------	---

Electrical properties

Rated voltage (II/2)	630 V
Rated voltage (III/2)	400 V
Rated voltage (III/3)	24 V
	250 V
Rated surge voltage (II/2)	4 kV
Rated surge voltage (III/2)	4 kV
Rated surge voltage (III/3)	4 kV
Rated current	16 A
	16 A
Nominal voltage U_N	24 V
Nominal current I_N	16 A

Connection data

Connection method	Spring-cage connection
-------------------	------------------------

Interfaces

Signal type/category	Universal
----------------------	-----------

Material specifications

Color	silver
Material	Metal
Flammability rating according to UL 94	V0
Seal material	NBR
Seal material Cable seal	TPE
Housing material	Die-cast zinc
Housing surface material	nickel-plated
Contact material	Copper alloy
Contact surface material	Gold over nickel
Contact carrier material	PA

Cable/line

CUC-V14-C2ZNI-S/24FN5:FC - Power connector



1408234

<https://www.phoenixcontact.com/us/products/1408234>

Signal type/category	Universal
External cable diameter	9 mm ... 13 mm
Stripping length of the individual wire	10 mm

Mechanical properties

Mechanical data

Insertion/withdrawal cycles	≤ 100
-----------------------------	-------

Environmental and real-life conditions

Ambient conditions

Degree of protection	IP65
Ambient temperature (operation)	-40 °C ... 70 °C
Ambient temperature (storage/transport)	-40 °C ... 70 °C
Ambient temperature (assembly)	-5 °C ... 100 °C

CUC-V14-C2ZNI-S/24FN5:FC - Power connector

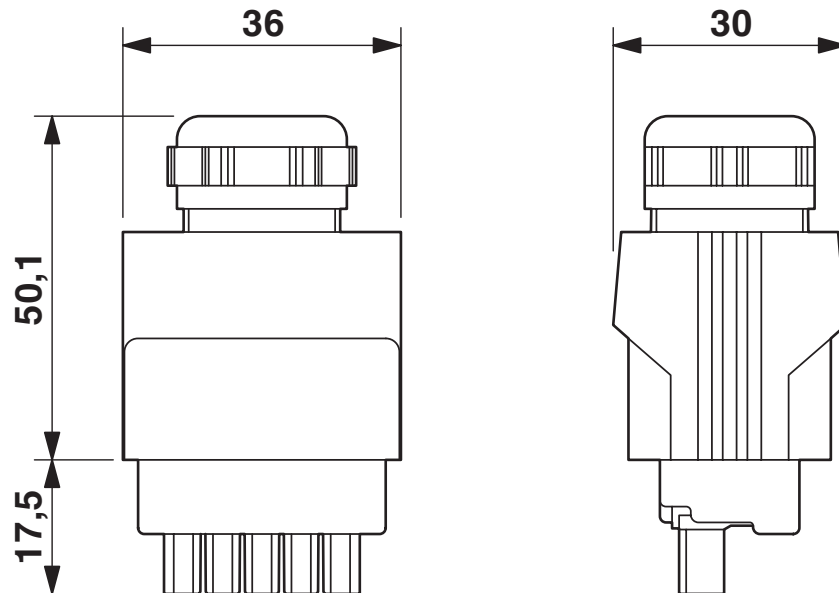


1408234

<https://www.phoenixcontact.com/us/products/1408234>

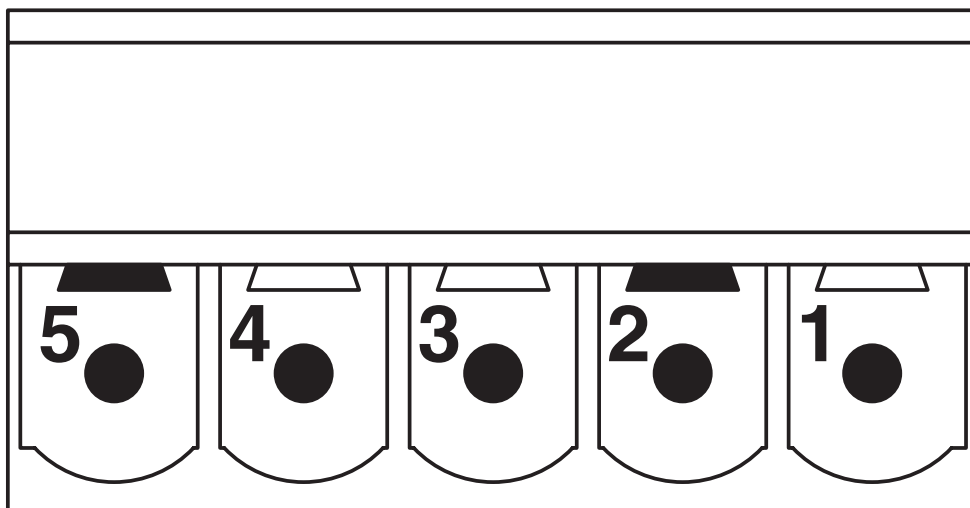
Drawings

Dimensional drawing



Push-Pull MSTB connector IP65/67

Schematic diagram



Connector pin assignment for PROFINET Push-Pull, power connector, 24 V

CUC-V14-C2ZNI-S/24FN5:FC - Power connector



1408234

<https://www.phoenixcontact.com/us/products/1408234>

Phoenix Contact 2026 © - all rights reserved

<https://www.phoenixcontact.com>

Phoenix Contact USA
586 Fulling Mill Road
Middletown, PA 17057, United States
(+717) 944-1300
info@phoenixcon.com