

HC-M-PN2-ERSORI - Sealing ring



1408216

<https://www.phoenixcontact.com/us/products/1408216>

Please be informed that the data shown in this PDF document is generated from our online catalog. Please find the complete data in the user documentation. Our general terms of use for downloads are valid.

Replacement O-ring for HC-M-PN2...ST pneumatic pin contacts



Commercial data

Item number	1408216
Packing unit	10 pc
Minimum order quantity	10 pc
Sales key	BF62
Product key	AF7ACZ
GTIN	4046356570121
Weight per piece (including packing)	0.48 g
Weight per piece (excluding packing)	0.35 g
Customs tariff number	40169300
Country of origin	US

HC-M-PN2-ERSORI - Sealing ring

1408216

<https://www.phoenixcontact.com/us/products/1408216>



Technical data

Product properties

Product type	Seal
--------------	------

HC-M-PN2-ERSORI - Sealing ring

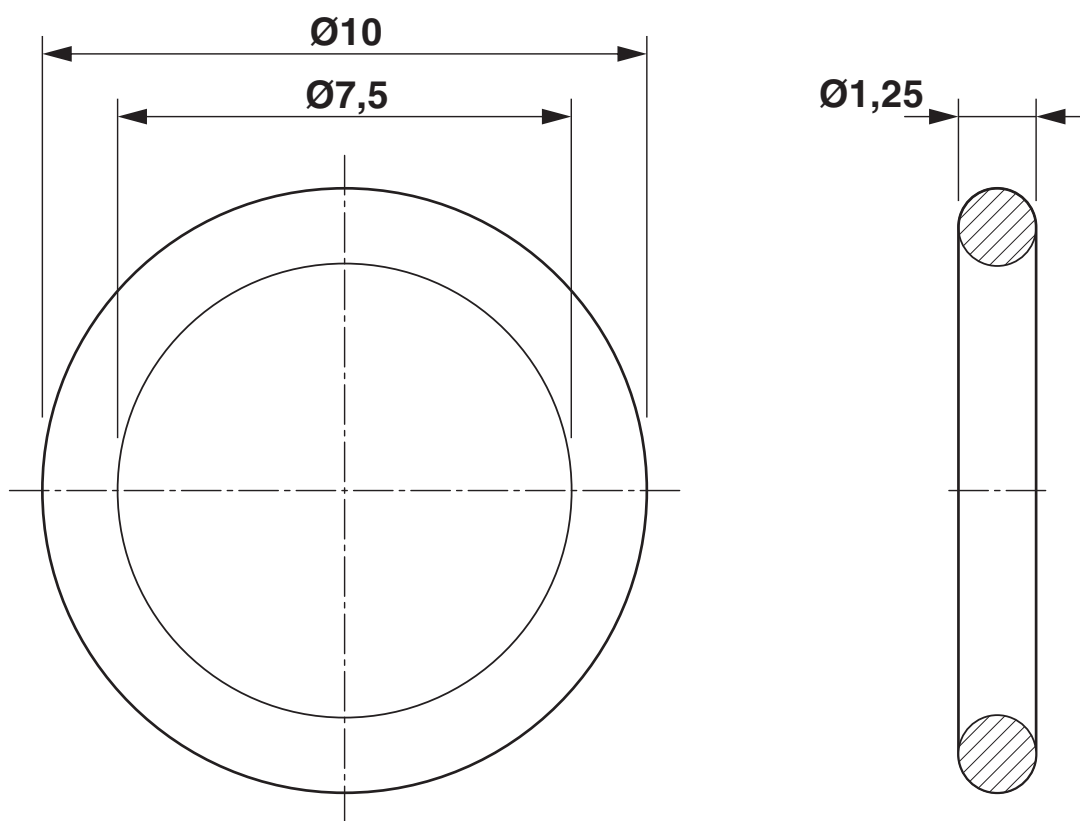
1408216

<https://www.phoenixcontact.com/us/products/1408216>



Drawings

Dimensional drawing



HC-M-PN2-ERSORI - Sealing ring



1408216

<https://www.phoenixcontact.com/us/products/1408216>

Classifications

ECLASS

ECLASS-15.0	27430319
ECLASS-13.0	27430319

ETIM

ETIM 10.0	EC001181
-----------	----------

UNSPSC

UNSPSC 21.0	39121400
-------------	----------

HC-M-PN2-ERSORI - Sealing ring



1408216

<https://www.phoenixcontact.com/us/products/1408216>

Environmental product compliance

EU RoHS

Fulfills EU RoHS substance requirements	Yes, No exemptions
---	--------------------

China RoHS

Environment friendly use period (EFUP)	EFUP-E
	No hazardous substances above the limits

EU REACH SVHC

REACH candidate substance (CAS No.)	No substance above 0.1 wt%
-------------------------------------	----------------------------

Phoenix Contact 2026 © - all rights reserved
<https://www.phoenixcontact.com>

Phoenix Contact USA
586 Fulling Mill Road
Middletown, PA 17057, United States
(+717) 944-1300
info@phoenixcon.com