

HC-M-PN3-ERSORI - Sealing ring



1408203

<https://www.phoenixcontact.com/us/products/1408203>

Please be informed that the data shown in this PDF document is generated from our online catalog. Please find the complete data in the user documentation. Our general terms of use for downloads are valid.

Replacement O-ring for HC-M-PN3...ST pneumatic pin contacts



Commercial data

Item number	1408203
Packing unit	10 pc
Minimum order quantity	10 pc
Sales key	BF62
Product key	AF7ACZ
GTIN	4046356570138
Weight per piece (including packing)	0.44 g
Weight per piece (excluding packing)	0.39 g
Customs tariff number	40169300
Country of origin	MX

HC-M-PN3-ERSORI - Sealing ring

1408203

<https://www.phoenixcontact.com/us/products/1408203>



Technical data

Product properties

Product type	Seal
--------------	------

HC-M-PN3-ERSORI - Sealing ring

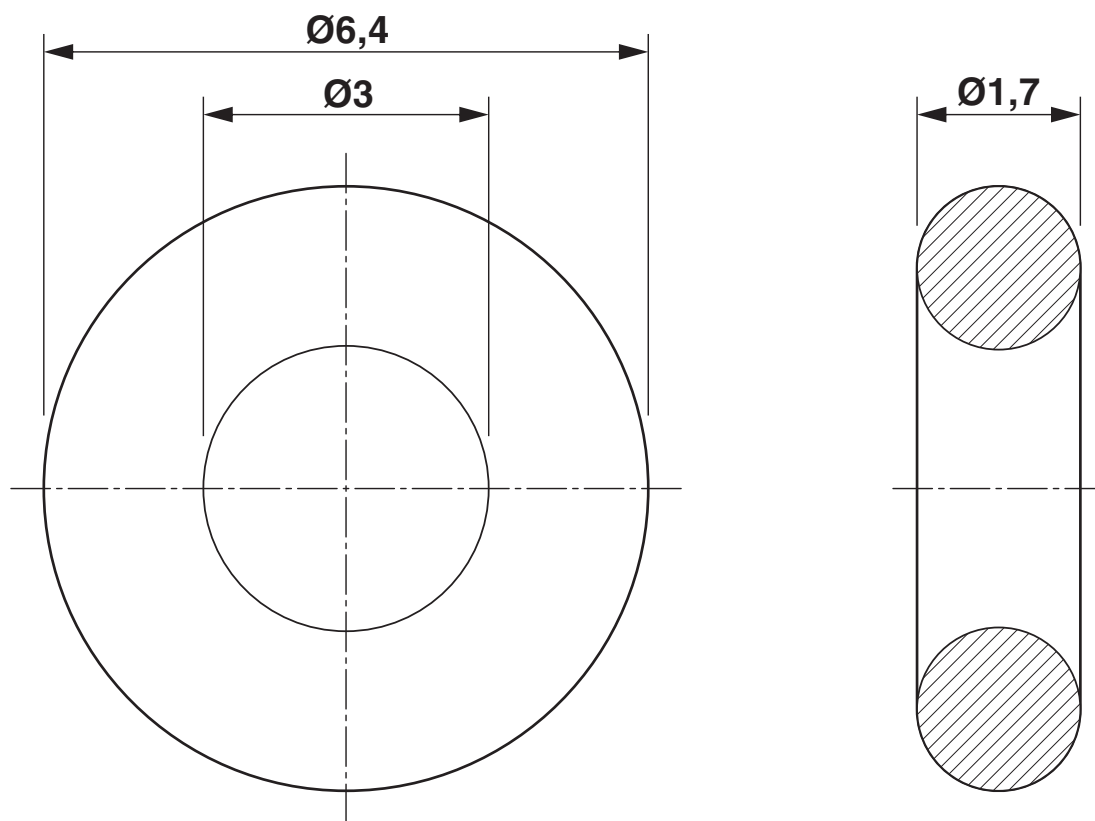
1408203

<https://www.phoenixcontact.com/us/products/1408203>



Drawings

Dimensional drawing



HC-M-PN3-ERSORI - Sealing ring



1408203

<https://www.phoenixcontact.com/us/products/1408203>

Approvals

To download certificates, visit the product detail page: <https://www.phoenixcontact.com/us/products/1408203>



EAC

Approval ID: RU C-DE.AI30.B.01102

HC-M-PN3-ERSORI - Sealing ring



1408203

<https://www.phoenixcontact.com/us/products/1408203>

Classifications

ECLASS

ECLASS-13.0	27430319
ECLASS-15.0	27430319

ETIM

ETIM 10.0	EC001181
-----------	----------

UNSPSC

UNSPSC 21.0	39121400
-------------	----------

HC-M-PN3-ERSORI - Sealing ring



1408203

<https://www.phoenixcontact.com/us/products/1408203>

Environmental product compliance

EU RoHS

Fulfills EU RoHS substance requirements	Yes, No exemptions
-----------------------------------------	--------------------

China RoHS

Environment friendly use period (EFUP)	EFUP-E
	No hazardous substances above the limits

EU REACH SVHC

REACH candidate substance (CAS No.)	No substance above 0.1 wt%
-------------------------------------	----------------------------

Phoenix Contact 2026 © - all rights reserved
<https://www.phoenixcontact.com>

Phoenix Contact USA
586 Fulling Mill Road
Middletown, PA 17057, United States
(+717) 944-1300
info@phoenixcon.com