

# EV-GBM3S-1AC32A-0,7M6,0E00 - Infrastructure charging socket



1408169

<https://www.phoenixcontact.com/us/products/1408169>

Please be informed that the data shown in this PDF document is generated from our online catalog. Please find the complete data in the user documentation. Our general terms of use for downloads are valid.



CHARX connect basic, GB/T, Infrastructure charging socket, 32 A , 250 V AC, Gen 1, Single-core wires connected at one end, length: 0.7 m, square, Front and rear mounting, housing: black, for charging electric vehicles with alternating current (AC), GB/T 20234.2-2015, NOTE This product version does not include a locking actuator.

## Product description

Infrastructure charging socket for charging electric vehicles (EV) with alternating current (AC), compatible with GB/T Infrastructure Plugs, for installation at charging stations for E-Mobility (EVSE)

## Your advantages

- Complete product range
- Uniform, space-saving installation space
- Available with your logo on request - for consistent branding of your charging station
- Integrated interlock during charging
- Manual emergency release of the locking actuator
- Developed and produced in accordance with the IATF 16949 automotive standard and ISO 9001

## Commercial data

Item number	1408169
Packing unit	1 pc
Minimum order quantity	1 pc
Product key	XWBFBA
GTIN	4046356856010
Weight per piece (including packing)	400 g
Weight per piece (excluding packing)	400 g
Country of origin	CN

# EV-GBM3S-1AC32A-0,7M6,0E00 - Infrastructure charging socket



1408169

<https://www.phoenixcontact.com/us/products/1408169>

## Technical data

### Product properties

Product type	Infrastructure charging socket
Product family	CHARX connect basic
Type	Gen 1
Charging standard	GB/T
Charging mode	Mode 3, Case B
Design (Infrastructure charging socket)	square
Customer variations	On request

### Electrical properties

Note on the connection method	Crimp connection, cannot be disconnected
-------------------------------	--

#### Charging power and current (AC charging, 1-phase)

Type of charging current	AC single-phase
Charging current	32 A AC (1-phase)
Charging power	8 kW (1-phase)
Charging power rating	7.4 kW (32 A, 1-phase)
Operating voltage	typ. 220 V AC

#### Pin assignment (Power contacts)

Number	3 (L1, N, PE)
Rated voltage	250 V AC
Rated current	32 A

#### Pin assignment (Signal contacts)

Type of signal transmission	Pulse width modulation
Number	2 (CP, CC)
Rated voltage	30 V AC
Rated current	2 A

#### Locking actuator

Locking actuator	without locking actuator
------------------	--------------------------

## Dimensions

### Infrastructure charging socket

Dimensional drawing	
---------------------	--

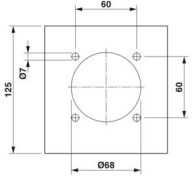
# EV-GBM3S-1AC32A-0,7M6,0E00 - Infrastructure charging socket

1408169

<https://www.phoenixcontact.com/us/products/1408169>

	Dimensional drawing
Width	75 mm
Height	96 mm
Depth	76.2 mm

## Bore dimensions

Dimensional drawing	
	Hole image
Width	60 mm
Height	60 mm

## Material specifications

Color (Housing)	black (9005)
Material (Housing)	Plastic
Material (Contact surface)	Silver
Flammability rating according to UL 94	V0 ()

## Cable/line

Cable length	0.7 m
Cable type	Single-core wires connected at one end
Cable structure	3 x 6.0 mm <sup>2</sup> + 2 x 0.5 mm <sup>2</sup>
Single wire, cross section	6.00 mm <sup>2</sup>

### Single-core wires for AC

Cable length	0.7 m
--------------	-------

## Mechanical properties

### Mechanical data

Insertion/withdrawal cycles	> 10000
Insertion force	< 100 N
Withdrawal force	< 100 N

## Environmental and real-life conditions

### Ambient conditions

Degree of protection (Infrastructure charging socket)	IP55 (plugged in)
Ambient temperature (operation)	-30 °C ... 50 °C

# EV-GBM3S-1AC32A-0,7M6,0E00 - Infrastructure charging socket



1408169

<https://www.phoenixcontact.com/us/products/1408169>

Ambient temperature (storage/transport)	-40 °C ... 80 °C
Altitude	5000 m (above sea level)

## Standards and regulations

### Standards

Standards/regulations	GB/T 20234.2-2015
-----------------------	-------------------

## Mounting

Mounting type Infrastructure charging socket	Front and rear mounting (0 to 90 degree frontal inclination possible)
Mounting type Protective cover	rear (available separately)
Mounting hole diameter	7.00 mm (ø)

# EV-GBM3S-1AC32A-0,7M6,0E00 - Infrastructure charging socket

1408169

<https://www.phoenixcontact.com/us/products/1408169>

## Drawings

Dimensional drawing



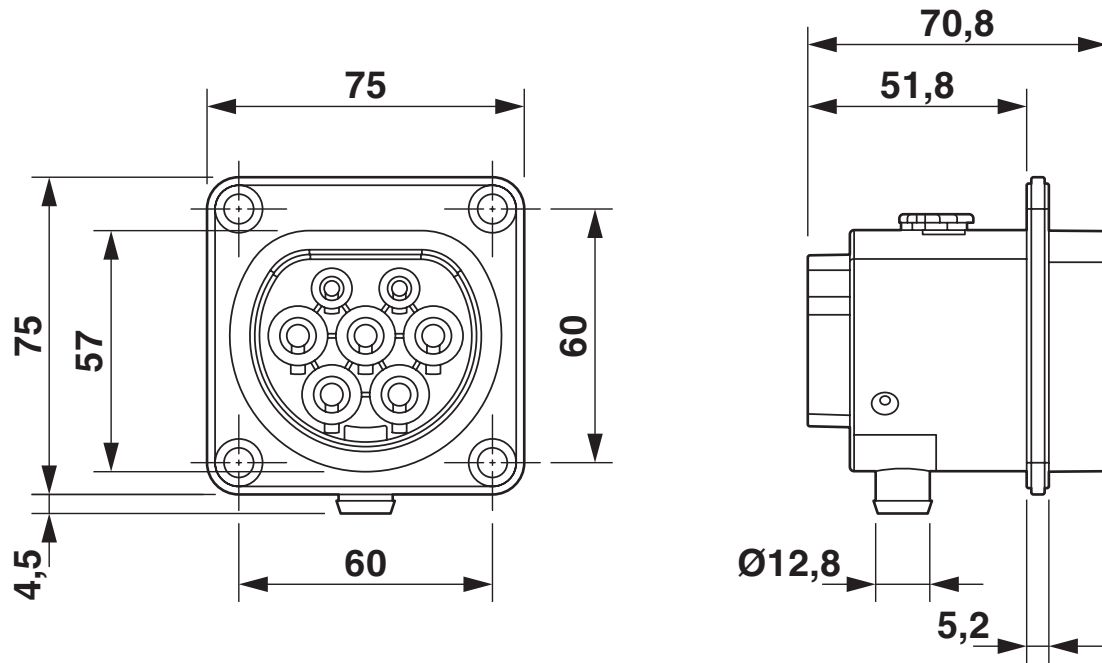
Hole image

# EV-GBM3S-1AC32A-0,7M6,0E00 - Infrastructure charging socket

1408169

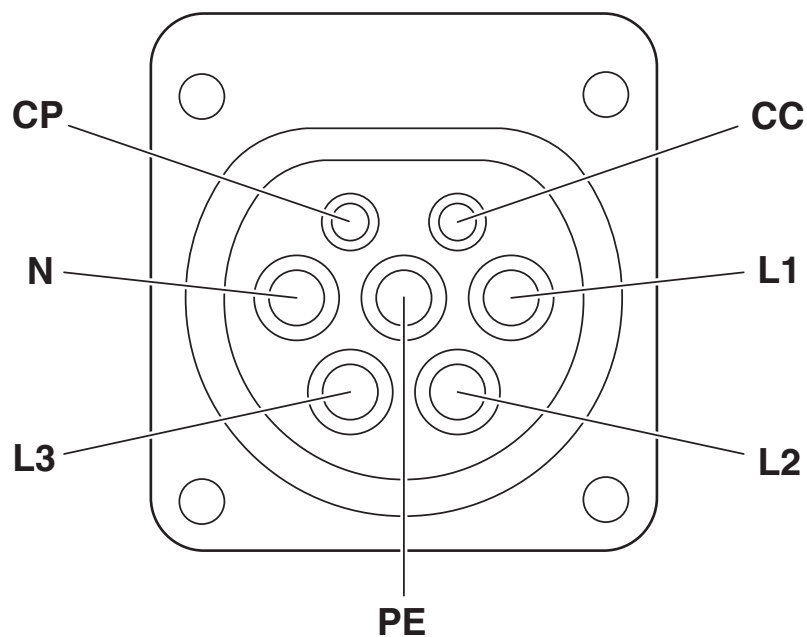
<https://www.phoenixcontact.com/us/products/1408169>

Dimensional drawing



Dimensional drawing

Connection diagram



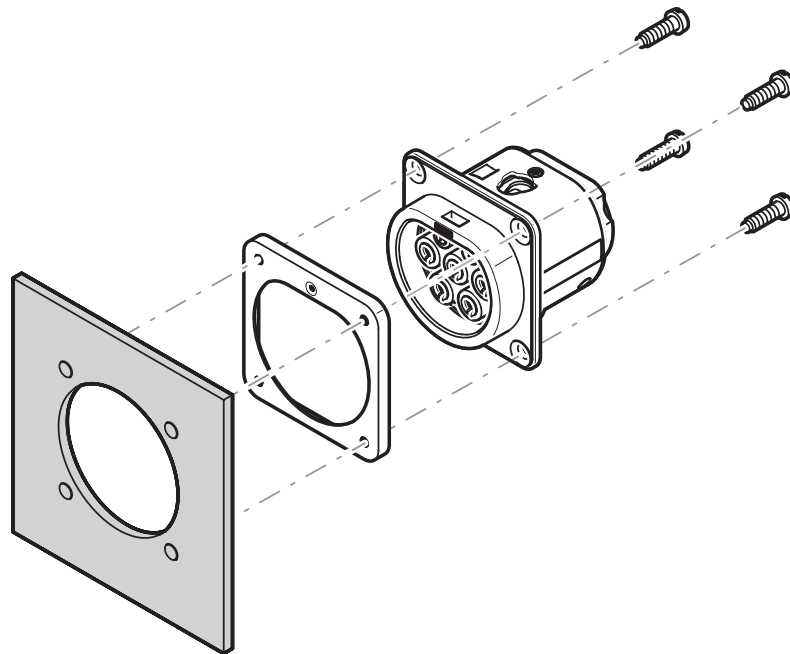
Pin assignment of infrastructure charging socket

# EV-GBM3S-1AC32A-0,7M6,0E00 - Infrastructure charging socket

1408169

<https://www.phoenixcontact.com/us/products/1408169>

Schematic diagram



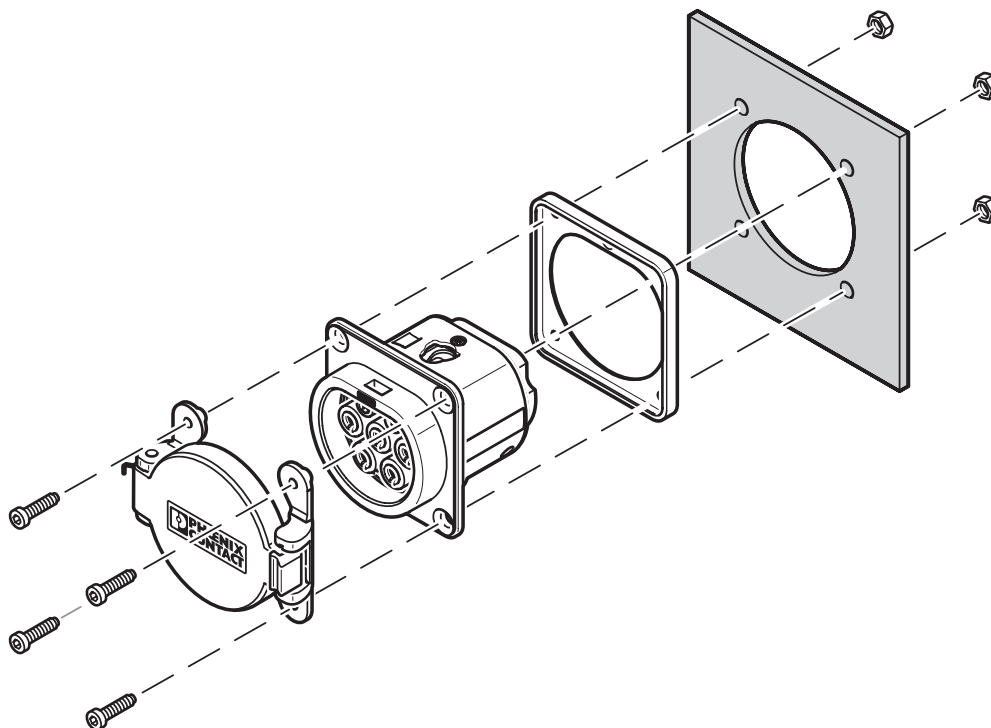
Rear mounting

# EV-GBM3S-1AC32A-0,7M6,0E00 - Infrastructure charging socket

1408169

<https://www.phoenixcontact.com/us/products/1408169>

Schematic diagram



Front mounting with rear protective cover screw connection

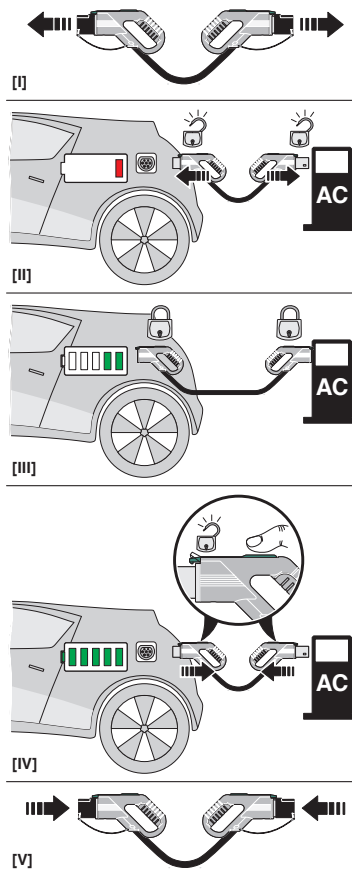
The screw connection for a protective cover from the accessories range (EV-GBSC...) only supports rear mounting.

# EV-GBM3S-1AC32A-0,7M6,0E00 - Infrastructure charging socket

1408169

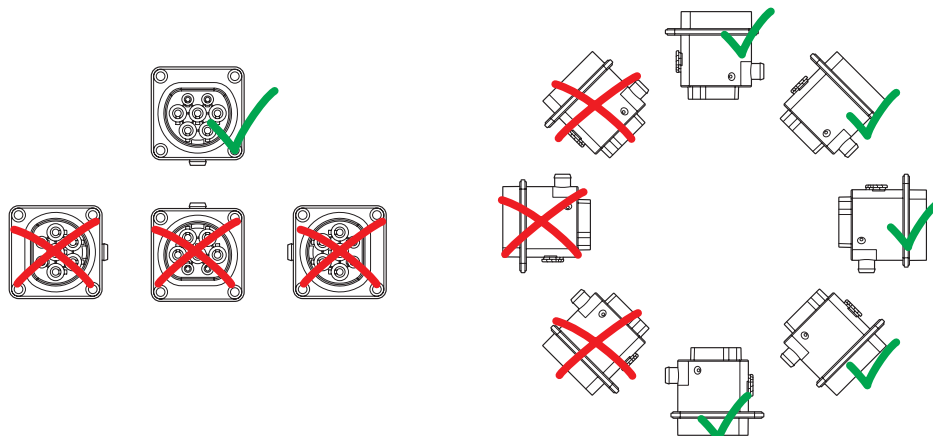
<https://www.phoenixcontact.com/us/products/1408169>

## Schematic diagram



## Operating instructions

## Schematic diagram



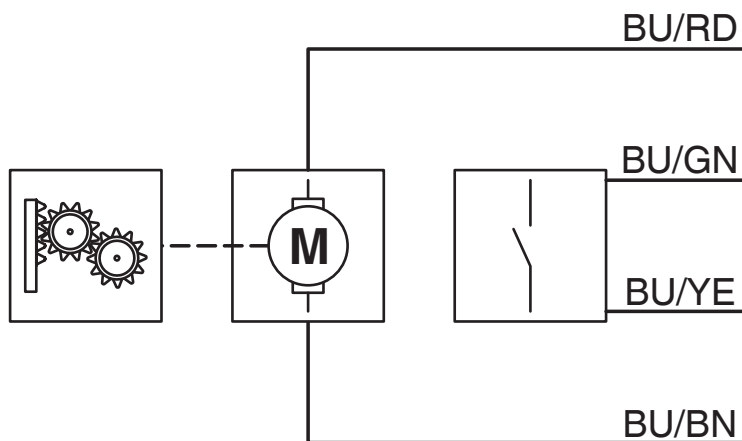
## Installation positions

# EV-GBM3S-1AC32A-0,7M6,0E00 - Infrastructure charging socket

1408169

<https://www.phoenixcontact.com/us/products/1408169>

Block diagram



Block diagram of the locking actuator

# EV-GBM3S-1AC32A-0,7M6,0E00 - Infrastructure charging socket



1408169

<https://www.phoenixcontact.com/us/products/1408169>

## Classifications

### ECLASS

ECLASS-13.0	27144706
ECLASS-15.0	27144706

### ETIM

ETIM 10.0	EC002898
-----------	----------

### UNSPSC

UNSPSC 21.0	39121800
-------------	----------

# EV-GBM3S-1AC32A-0,7M6,0E00 - Infrastructure charging socket



1408169

<https://www.phoenixcontact.com/us/products/1408169>

## Environmental product compliance

### EU RoHS

Fulfills EU RoHS substance requirements	Yes
Exemption	6(c)

### China RoHS

Environment friendly use period (EFUP)	EFUP-10 An article-related China RoHS declaration table can be found in the download area for the respective article under "Manufacturer declaration". For all articles with EFUP-E, no China RoHS declaration table issued and required.
--	--

### EU REACH SVHC

REACH candidate substance (CAS No.)	Lead(CAS: 7439-92-1)
-------------------------------------	----------------------

Phoenix Contact 2026 © - all rights reserved  
<https://www.phoenixcontact.com>

Phoenix Contact USA  
586 Fulling Mill Road  
Middletown, PA 17057, United States  
(+717) 944-1300  
[info@phoenixcon.com](mailto:info@phoenixcon.com)