

EV-GBM3PC-3AC32A-5,0M6,0ESOG00 - AC charging cable



1408165

<https://www.phoenixcontact.com/us/products/1408165>

Please be informed that the data shown in this PDF document is generated from our online catalog. Please find the complete data in the user documentation. Our general terms of use for downloads are valid.

CHARX connect, GB/T, Mobile AC charging cable, with vehicle charging connector and infrastructure charging plug, cable: 5 m, black, straight, with protective cap, housing: black, gray, PHOENIX CONTACT logo, GB/T 20234.2, for charging electric vehicles (EV) with alternating current (AC) via GB/T vehicle charging inlets



Product description

Mobile AC charging cable with vehicle charging connector and infrastructure charging plug for charging electric vehicles (EV) with alternating current (AC) via GB/T vehicle charging inlets, compatible with GB/T infrastructure charging sockets at charging stations (EVSE)

Your advantages

- Complete product range
- Convenient handling due to the ergonomic, triple award-winning design
- Available with your logo on request - for consistent branding of your charging station
- Longitudinal water tightness reliably prevents water ingress
- Developed and produced in accordance with the IATF 16949 automotive standard and ISO 9001
- Tested in accordance with automotive standards LV124, LV214, and LV215-2
- Tested in accordance with EV Ready 37 requirements

Commercial data

Item number	1408165
Packing unit	1 pc
Minimum order quantity	1 pc
Product key	XWBAEF
GTIN	4046356856102
Weight per piece (including packing)	4.03 kg
Weight per piece (excluding packing)	3.35 kg
Country of origin	CN

EV-GBM3PC-3AC32A-5,0M6,0ESOG00 - AC charging cable



1408165

<https://www.phoenixcontact.com/us/products/1408165>

Technical data

Product properties

Product type	AC charging cable
Product family	CHARX connect
Type	Mobile AC charging cable with vehicle charging connector and infrastructure charging plug
Design	with protective cap
Charging standard	GB/T
Charging mode	Mode 3, Case B
Affixed logo	PHOENIX CONTACT logo

Electrical properties

Charging power and current (AC charging, 3-phase)

Type of charging current	AC 3-phase
Charging current	32 A AC (3-phase)
Charging power	26.6 kW (3-phase)
Rated voltage	480 V

Material specifications

Color (Housing)	black (9005)
Color (Handle area)	gray (7042)
Color (Mating face)	black (9005)
Color (Protective cap)	black (9005)
Color (Cable)	black (9005)

Cable/line

Cable length	5 m
Cable type	Class 6
Cable type	straight
Cable structure	5 x 6.0 mm ² + 1 x 0.5 mm ²
External cable diameter	17.00 mm ±0.5 mm
Outer sheath, material	TPE
Cable resistance	≤ 0.0033 Ω/m (based on a power core, at an ambient temperature of 20°C)
Bending radius	min. 255 mm (15x diameter)
Cable length	5 m
External cable diameter	17.00 mm ±0.5 mm
Cable type	Class 6
Cable resistance	≤ 0.0033 Ω/m (based on a power core, at an ambient temperature of 20°C)

Standards and regulations

EV-GBM3PC-3AC32A-5,0M6,0ESOG00 - AC charging cable



1408165

<https://www.phoenixcontact.com/us/products/1408165>

Standards

Standards/regulations

GB/T 20234.2

EV-GBM3PC-3AC32A-5,0M6,0ESOG00 - AC charging cable

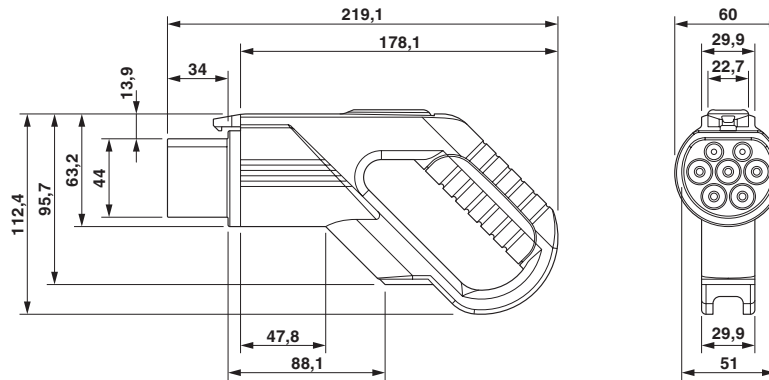


1408165

<https://www.phoenixcontact.com/us/products/1408165>

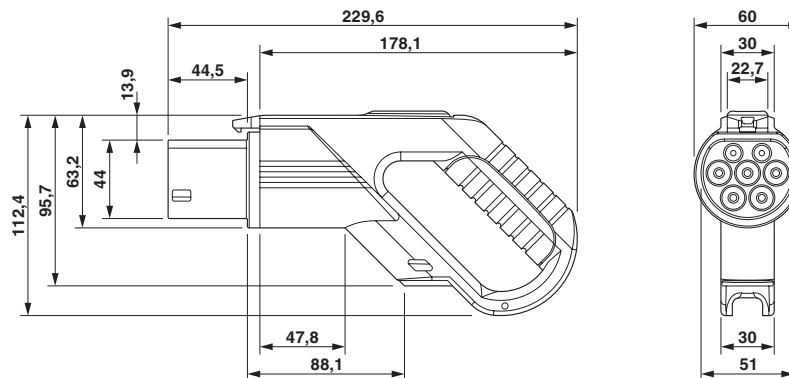
Drawings

Dimensional drawing



Vehicle connector

Dimensional drawing



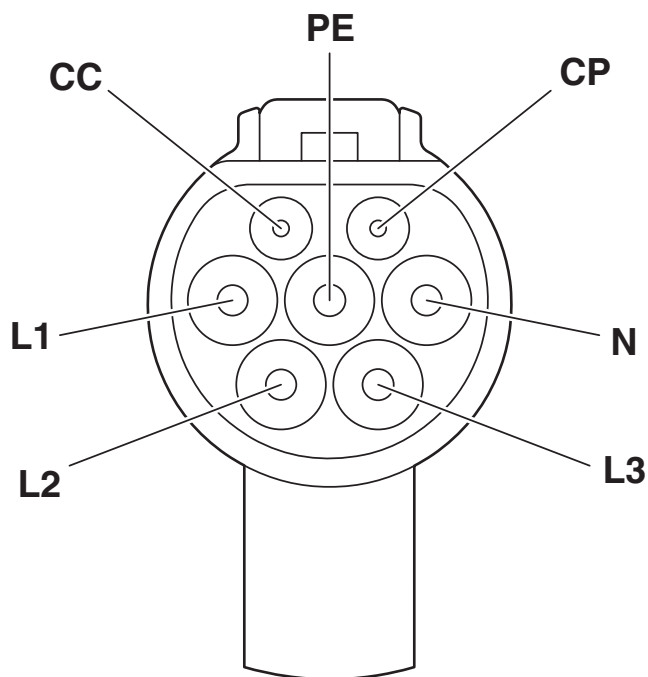
Infrastructure plug

EV-GBM3PC-3AC32A-5,0M6,0ESOG00 - AC charging cable

1408165

<https://www.phoenixcontact.com/us/products/1408165>

Connection diagram



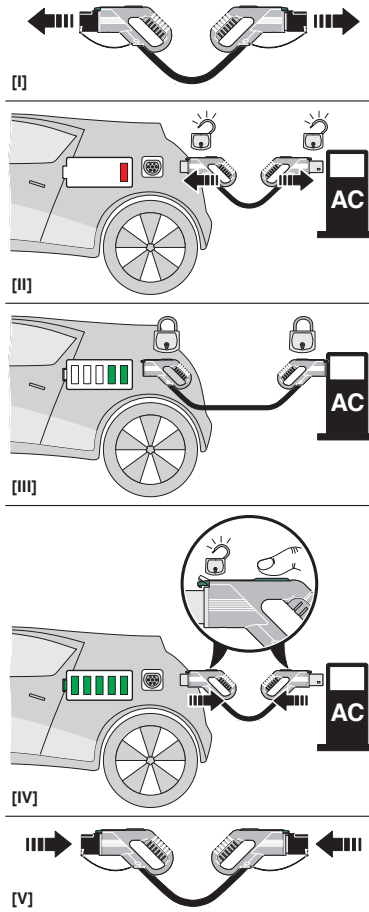
Pin assignment of Infrastructure Plug

EV-GBM3PC-3AC32A-5,0M6,0ESOG00 - AC charging cable

1408165

<https://www.phoenixcontact.com/us/products/1408165>

Schematic diagram



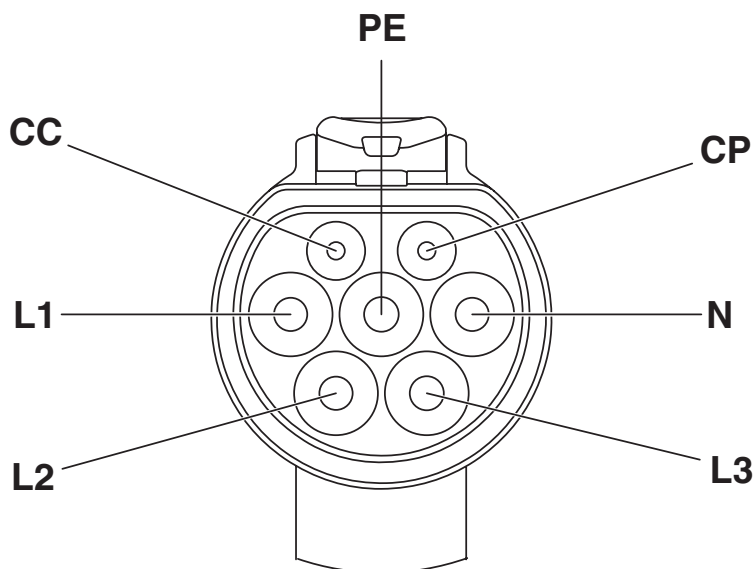
Operating instructions

EV-GBM3PC-3AC32A-5,0M6,0ESOG00 - AC charging cable

1408165

<https://www.phoenixcontact.com/us/products/1408165>

Schematic diagram



Pin assignment of the Vehicle Connector

EV-GBM3PC-3AC32A-5,0M6,0ESOG00 - AC charging cable



1408165

<https://www.phoenixcontact.com/us/products/1408165>

Classifications

UNSPSC

UNSPSC 21.0	39121500
-------------	----------

EV-GBM3PC-3AC32A-5,0M6,0ESOG00 - AC charging cable



1408165

<https://www.phoenixcontact.com/us/products/1408165>

Environmental product compliance

EU RoHS

Fulfills EU RoHS substance requirements	Not applicable
Exemption	6(c)

China RoHS

Environment friendly use period (EFUP)	EFUP-10
	An article-related China RoHS declaration table can be found in the download area for the respective article under "Manufacturer declaration". For all articles with EFUP-E, no China RoHS declaration table issued and required.

EU REACH SVHC

REACH candidate substance (CAS No.)	No substance above 0.1 wt%
-------------------------------------	----------------------------

Phoenix Contact 2026 © - all rights reserved
<https://www.phoenixcontact.com>

Phoenix Contact USA
586 Fulling Mill Road
Middletown, PA 17057, United States
(+717) 944-1300
info@phoenixcon.com