

CK 2,5-ED-0,37ST AU HAR - Crimp contact



1408122

<https://www.phoenixcontact.com/us/products/1408122>

Please be informed that the data shown in this PDF document is generated from our online catalog. Please find the complete data in the user documentation. Our general terms of use for downloads are valid.



Crimp contact CK 2,5... for special tool

Commercial data

Item number	1408122
Packing unit	1 pc
Note	Made to order (non-returnable)
Sales key	BF65
Product key	AF7AID
GTIN	4046356561419
Weight per piece (including packing)	1.23 g
Weight per piece (excluding packing)	1.23 g
Customs tariff number	85366990
Country of origin	DE

CK 2,5-ED-0,37ST AU HAR - Crimp contact



1408122

<https://www.phoenixcontact.com/us/products/1408122>

Technical data

Product properties

Product type	Crimp contact
Series	HC-M-06
	HC-M-HV
	HC-M-08
	HC-A
	HC-BB
	HC-B
	HC-HV
	HC-M-20
	HC-K
	HC-BBB
Contact material type	turned

Mechanical properties

Mechanical data

Insertion/withdrawal cycles	≥ 500
-----------------------------	-------

Environmental and real-life conditions

Ambient conditions

Ambient temperature (operation)	-40 °C ... 125 °C
---------------------------------	-------------------

CK 2,5-ED-0,37ST AU HAR - Crimp contact

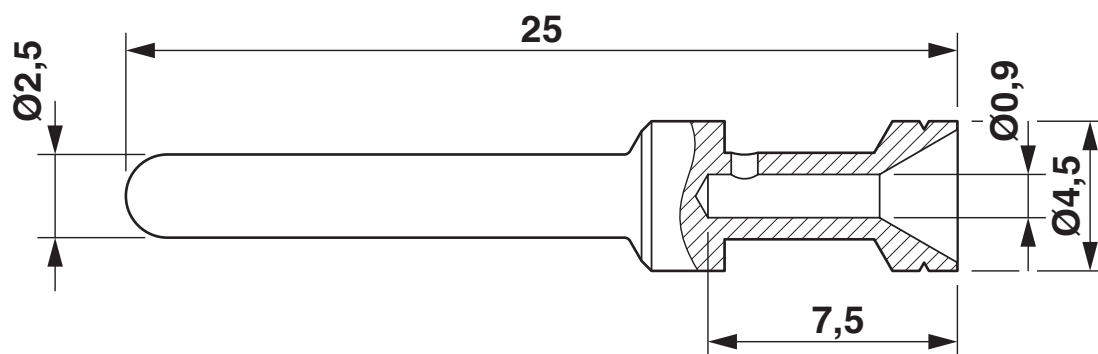


1408122

<https://www.phoenixcontact.com/us/products/1408122>

Drawings

Dimensional drawing



Dimensional drawing

CK 2,5-ED-0,37ST AU HAR - Crimp contact



1408122

<https://www.phoenixcontact.com/us/products/1408122>

Classifications

ECLASS

ECLASS-13.0	27440204
ECLASS-15.0	27440204

CK 2,5-ED-0,37ST AU HAR - Crimp contact



1408122

<https://www.phoenixcontact.com/us/products/1408122>

Environmental product compliance

EU REACH SVHC

REACH candidate substance (CAS No.)	
-------------------------------------	--

	No substance above 0.1 wt%
--	----------------------------

Phoenix Contact 2026 © - all rights reserved

<https://www.phoenixcontact.com>

Phoenix Contact USA
586 Fulling Mill Road
Middletown, PA 17057, United States
(+717) 944-1300
info@phoenixcon.com