

# FOC-V14-C1S-S/SJFG:10 - SC-RJ connectors



1408069

<https://www.phoenixcontact.com/us/products/1408069>

Please be informed that the data shown in this PDF document is generated from our online catalog. Please find the complete data in the user documentation. Our general terms of use for downloads are valid.



SC-RJ connectors, degree of protection: IP65/IP67, number of positions: 2, 100 Mbps, material: Metal, connection method: Push-Pull, cable outlet: straight

## Product description

Push-pull connector, version 14

## Commercial data

Item number	1408069
Packing unit	10 pc
Minimum order quantity	1 pc
Note	Made to order (non-returnable)
Product key	ABNOBA
GTIN	4046356788809
Weight per piece (including packing)	22.22 g
Weight per piece (excluding packing)	22.22 g
Country of origin	DE

1408069

<https://www.phoenixcontact.com/us/products/1408069>

## Technical data

### Notes

General	This product corresponds to the PROFINET Cabling and Interconnection Technology Guideline for PROFINET regulations, version 3.01, Order No. 2252
---------	--

### Product properties

Product type	Data plug
Type	Version 14
Number of positions	2
Connection profile	SCRJ
No. of cable outlets	1
Shielded	no
Cable outlet	straight

### Insulation characteristics

Overvoltage category	I
Degree of pollution	2

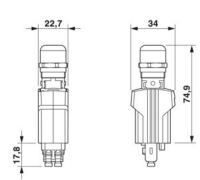
### Electrical properties

Attenuation	≤ 1.5 dB (in accordance with ISO/IEC 24702)
Transmission speed	100 Mbps

### Connection data

Connection method	Push-Pull
-------------------	-----------

### Dimensions

Dimensional drawing	
Width	22 mm
Height	34 mm
Length	80 mm

### Mechanical characteristics

Ferrule diameter	2.50 mm
------------------	---------

### Material specifications

Flammability rating according to UL 94	V0
Seal material	NBR
Housing material	Metal

1408069

<https://www.phoenixcontact.com/us/products/1408069>

## Cable/line

Cable type	Plastic fiber
External cable diameter	≤ 10.00 mm (of 5 mm)
Individual wire diameter	2.2 mm
Resistance to oil	yes
Flame resistance	yes

## FO cable

Number of fibers	2
Fiber	980/1000 μm
Fiber type	POF

## Characteristics

Attenuation	≤ 1.5 dB (in accordance with ISO/IEC 24702)
-------------	---

## Environmental and real-life conditions

### Ambient conditions

Degree of protection	IP65/IP67
Ambient temperature (operation)	-40 °C ... 80 °C
Ambient temperature (storage/transport)	-40 °C ... 80 °C
Ambient temperature (assembly)	0 °C ... 50 °C
Resistance to oil	yes

## Standards and regulations

Flame resistance	yes
Resistance to oil	yes
Standards/specifications	IEC 61076

# FOC-V14-C1S-S/SJFG:10 - SC-RJ connectors

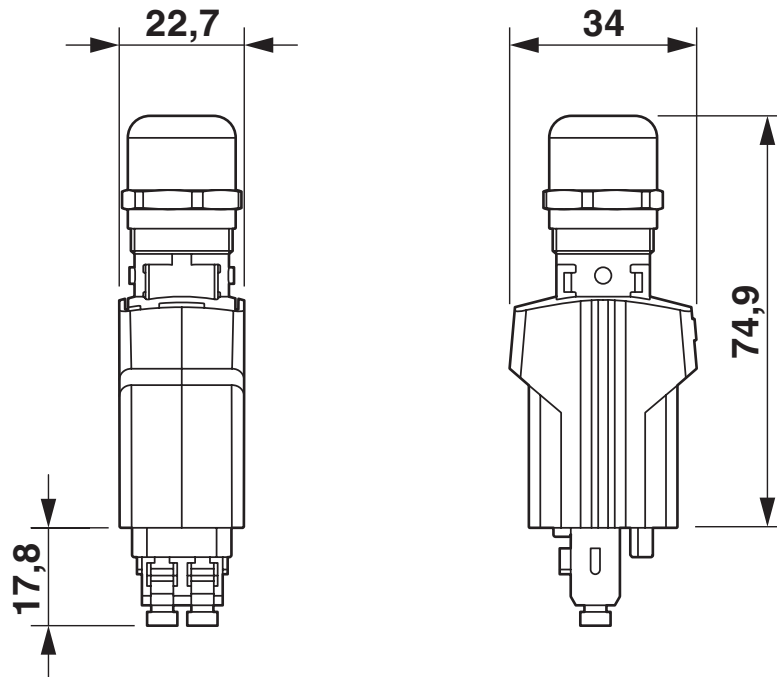


1408069

<https://www.phoenixcontact.com/us/products/1408069>

## Drawings

Dimensional drawing



# FOC-V14-C1S-S/SJFG:10 - SC-RJ connectors



1408069

<https://www.phoenixcontact.com/us/products/1408069>

## Classifications

### UNSPSC

UNSPSC 21.0	26121600
-------------	----------

1408069

<https://www.phoenixcontact.com/us/products/1408069>

## Environmental product compliance

### China RoHS

Environment friendly use period (EFUP)	EFUP-50
	An article-related China RoHS declaration table can be found in the download area for the respective article under "Manufacturer declaration". For all articles with EFUP-E, no China RoHS declaration table issued and required.

### EU REACH SVHC

REACH candidate substance (CAS No.)	6,6'-di-tert-butyl-2,2'-methylenedi-p-cresol(CAS: 119-47-1)
-------------------------------------	---

Phoenix Contact 2026 © - all rights reserved  
<https://www.phoenixcontact.com>

Phoenix Contact USA  
586 Fulling Mill Road  
Middletown, PA 17057, United States  
(+717) 944-1300  
[info@phoenixcon.com](mailto:info@phoenixcon.com)