

# FOC-V14-C1S-S/SJFP - SC-RJ connectors



1407915

<https://www.phoenixcontact.com/us/products/1407915>

Please be informed that the data shown in this PDF document is generated from our online catalog. Please find the complete data in the user documentation. Our general terms of use for downloads are valid.



SC-RJ connectors, degree of protection: IP65/IP67, number of positions: 2, 100 Mbps, material: Stainless steel, connection method: Push-Pull, cable outlet: straight

## Commercial data

Item number	1407915
Packing unit	1 pc
Minimum order quantity	1 pc
Note	Made to order (non-returnable)
Product key	ABNOBA
GTIN	4046356782173
Weight per piece (including packing)	102.8 g
Weight per piece (excluding packing)	22.22 g
Country of origin	DE

1407915

<https://www.phoenixcontact.com/us/products/1407915>

## Technical data

### Product properties

Product type	Data plug
Type	Version 14
Number of positions	2
Connection profile	SCRJ
No. of cable outlets	1
Number of slots	2
Shielded	no
Cable outlet	straight

### Insulation characteristics

Overvoltage category	I
Degree of pollution	2

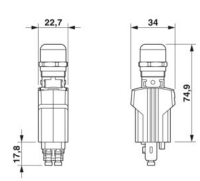
### Electrical properties

Attenuation	≤ 1.5 dB (in accordance with ISO/IEC 24702)
Transmission speed	100 Mbps
Transmission characteristics (category)	CAT5 (IEC 11801:2002)

### Connection data

Connection method	Push-Pull
-------------------	-----------

### Dimensions

Dimensional drawing	
Width	22 mm
Height	34 mm
Length	80 mm

### Mechanical characteristics

Ferrule diameter	2.50 mm
------------------	---------

### Material specifications

Flammability rating according to UL 94	V0
Seal material	NBR
Ferrule material	Copper alloy
Housing material	Stainless steel

### Cable/line

# FOC-V14-C1S-S/SJFP - SC-RJ connectors



1407915

<https://www.phoenixcontact.com/us/products/1407915>

Cable type	Plastic fiber
External cable diameter	5.5 mm ... 10 mm
Individual wire diameter	2.2 mm
Resistance to oil	yes
Flame resistance	yes

## FO cable

Number of fibers	2
Fiber	980/1000 µm
Fiber type	POF

## Mechanical properties

### Mechanical data

Insertion/withdrawal cycles	≥ 100
-----------------------------	-------

## Characteristics

Attenuation	≤ 1.5 dB (in accordance with ISO/IEC 24702)
-------------	---------------------------------------------

## Environmental and real-life conditions

### Ambient conditions

Degree of protection	IP65/IP67
Ambient temperature (operation)	-25 °C ... 70 °C
Ambient temperature (storage/transport)	-40 °C ... 80 °C
Ambient temperature (assembly)	0 °C ... 50 °C
Resistance to oil	yes

## Standards and regulations

Flame resistance	yes
Resistance to oil	yes
Standards/specifications	IEC 61076

# FOC-V14-C1S-S/SJFP - SC-RJ connectors

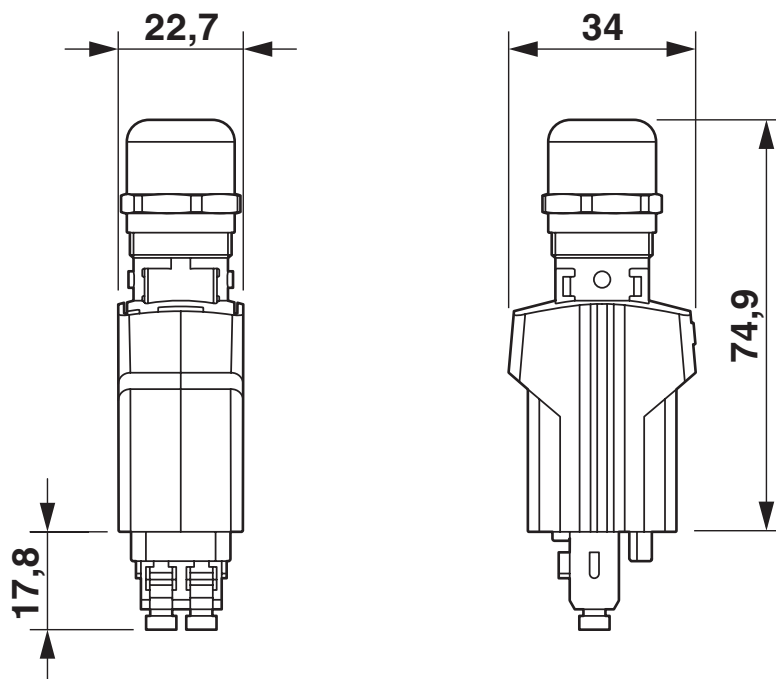


1407915

<https://www.phoenixcontact.com/us/products/1407915>

## Drawings

Dimensional drawing



# FOC-V14-C1S-S/SJFP - SC-RJ connectors



1407915

<https://www.phoenixcontact.com/us/products/1407915>

## Classifications

### UNSPSC

UNSPSC 21.0	26121600
-------------	----------

1407915

<https://www.phoenixcontact.com/us/products/1407915>

## Environmental product compliance

### EU RoHS

Fulfills EU RoHS substance requirements	Yes, No exemptions
-----------------------------------------	--------------------

### China RoHS

Environment friendly use period (EFUP)	EFUP-50
	An article-related China RoHS declaration table can be found in the download area for the respective article under "Manufacturer declaration". For all articles with EFUP-E, no China RoHS declaration table issued and required.

### EU REACH SVHC

REACH candidate substance (CAS No.)	6,6'-di-tert-butyl-2,2'-methylenedi-p-cresol(CAS: 119-47-1)
SCIP	b38d8ce7-46b9-46ba-8c06-828c1205a32f

Phoenix Contact 2026 © - all rights reserved  
<https://www.phoenixcontact.com>

Phoenix Contact USA  
 586 Fulling Mill Road  
 Middletown, PA 17057, United States  
 (+717) 944-1300  
[info@phoenixcon.com](mailto:info@phoenixcon.com)