

# CUC-V14-C1S-S/R4IP8 - RJ45 connector



1407908

<https://www.phoenixcontact.com/us/products/1407908>

Please be informed that the data shown in this PDF document is generated from our online catalog. Please find the complete data in the user documentation. Our general terms of use for downloads are valid.



RJ45 connector, degree of protection: IP65/IP67, number of positions: 8, 1 Gbps, CAT5 (IEC 11801:2002), material: Metal, connection method: IDC fast connection, connection cross section: AWG 23- 22, cable outlet: straight

## Product description

Push-pull connector, version 14

## Your advantages

- Stainless steel design
- Push-pull ADVANCE connector
- Locking system to prevent inadvertent release
- Highest ESD and EMC resistance for reliable transmission
- Protected data transmission thanks to 360° shielding concept

## Commercial data

Item number	1407908
Packing unit	1 pc
Minimum order quantity	1 pc
Note	Made to order (non-returnable)
Product key	ABNOAA
GTIN	4046356782104
Weight per piece (including packing)	107.3 g
Weight per piece (excluding packing)	107 g
Country of origin	PL

# CUC-V14-C1S-S/R4IP8 - RJ45 connector



1407908

<https://www.phoenixcontact.com/us/products/1407908>

## Technical data

### Product properties

Product type	Data connector (cable side)
Type	RJ45
Number of positions	8
Connection profile	RJ45
No. of cable outlets	1
Shielded	no
Cable outlet	straight

### Insulation characteristics

Overvoltage category	I
Degree of pollution	2

### Electrical properties

Rated voltage (III/3)	72 V (DC)
Rated current	1.75 A
Frequency range	to 100 MHz
Insulation resistance	> 500 MΩ
Nominal voltage $U_N$	48 V
Transmission medium	Copper
Transmission speed	1 Gbps
Transmission characteristics (category)	CAT5
Transmission speed	1 Gbps
Power transmission	PoE++ in accordance with: IEEE 802.3bt

### Connection data

#### Connection technology

Connection method	IDC fast connection
Connection technology	QUICKON connection
Connection cross section AWG	23 ... 22 (solid) 23 ... 22 (flexible)
Conductor cross-section	0.23 mm <sup>2</sup> ... 0.32 mm <sup>2</sup> (solid) 0.23 mm <sup>2</sup> ... 0.36 mm <sup>2</sup> (flexible)

### Dimensions

Width	22 mm
Height	34 mm
Length	80 mm

### Material specifications

Flammability rating according to UL 94	V0
Seal material	NBR

# CUC-V14-C1S-S/R4IP8 - RJ45 connector



1407908

<https://www.phoenixcontact.com/us/products/1407908>

Housing material	Metal
Contact material	Copper alloy
Contact surface material	Gold over nickel
Contact carrier material	PC

## Cable/line

External cable diameter	5.5 mm ... 10 mm
External cable diameter	5.5 mm ... 10 mm
Cable cross section	0.25 mm <sup>2</sup>

## Environmental and real-life conditions

### Ambient conditions

Degree of protection	IP65/IP67
Ambient temperature (operation)	-40 °C ... 80 °C
Ambient temperature (storage/transport)	-40 °C ... 80 °C
Ambient temperature (assembly)	-10 °C ... 40 °C

## Standards and regulations

Standards/specifications	IEC 61076
--------------------------	-----------

# CUC-V14-C1S-S/R4IP8 - RJ45 connector

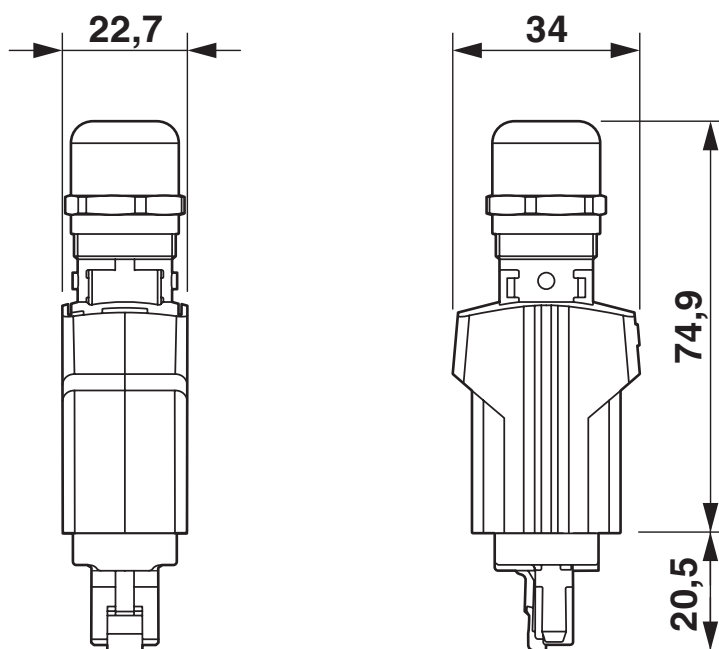
1407908

<https://www.phoenixcontact.com/us/products/1407908>



## Drawings

Dimensional drawing



# CUC-V14-C1S-S/R4IP8 - RJ45 connector



1407908

<https://www.phoenixcontact.com/us/products/1407908>

## Classifications

### ECLASS

ECLASS-13.0

27440116

### ETIM

ETIM 9.0

EC002636

### UNSPSC

UNSPSC 21.0

39121400

# CUC-V14-C1S-S/R4IP8 - RJ45 connector



1407908

<https://www.phoenixcontact.com/us/products/1407908>

## Environmental product compliance

### EU RoHS

Fulfills EU RoHS substance requirements	Yes
Exemption	6(c)

### China RoHS

Environment friendly use period (EFUP)	EFUP-50
	An article-related China RoHS declaration table can be found in the download area for the respective article under "Manufacturer declaration". For all articles with EFUP-E, no China RoHS declaration table issued and required.

### EU REACH SVHC

REACH candidate substance (CAS No.)	Lead(CAS: 7439-92-1)
	6,6'-di-tert-butyl-2,2'-methylenedi-p-cresol(CAS: 119-47-1)
SCIP	5b8e4dba-11df-422c-88d4-8da0b3b0985d

Phoenix Contact 2026 © - all rights reserved  
<https://www.phoenixcontact.com>

Phoenix Contact USA  
586 Fulling Mill Road  
Middletown, PA 17057, United States  
(+717) 944-1300  
[info@phoenixcon.com](mailto:info@phoenixcon.com)