

CUC-V14-C1S-S/R4IE8 - RJ45 connector



1407906

<https://www.phoenixcontact.com/us/products/1407906>

Please be informed that the data shown in this PDF document is generated from our online catalog. Please find the complete data in the user documentation. Our general terms of use for downloads are valid.



RJ45 connector, degree of protection: IP65/IP67, number of positions: 8, 1 Gbps, CAT5 (IEC 11801:2002), material: Metal, connection method: IDC fast connection, connection cross section: AWG 26- 24, cable outlet: straight

Product description

Push-pull connector, version 14

Your advantages

- Stainless steel design
- Push-pull ADVANCE connector
- Locking system to prevent inadvertent release
- Highest ESD and EMC resistance for reliable transmission

Commercial data

Item number	1407906
Packing unit	1 pc
Minimum order quantity	1 pc
Note	Made to order (non-returnable)
Product key	ABNOAA
GTIN	4046356782081
Weight per piece (including packing)	107.6 g
Weight per piece (excluding packing)	22.22 g
Country of origin	PL

CUC-V14-C1S-S/R4IE8 - RJ45 connector



1407906

<https://www.phoenixcontact.com/us/products/1407906>

Technical data

Product properties

Product type	Data connector (cable side)
Type	RJ45
Number of positions	8
Connection profile	RJ45
No. of cable outlets	1
Shielded	yes
Cable outlet	straight

Insulation characteristics

Overvoltage category	I
Degree of pollution	2

Electrical properties

Rated voltage (III/3)	72 V (DC)
Rated current	1.75 A
Frequency range	to 100 MHz
Insulation resistance	> 500 MΩ
Nominal voltage U_N	48 V
Transmission medium	Copper
Transmission speed	1 Gbps
Transmission characteristics (category)	CAT5
Transmission speed	1 Gbps
Power transmission	PoE++ in accordance with: IEEE 802.3bt
Wave impedance	100 Ω

Connection data

Connection technology

Connection method	IDC fast connection
Connection technology	QUICKON connection
Connection cross section AWG	26 ... 24 (solid) 26 ... 24 (flexible)
Conductor cross-section	0.14 mm ² ... 0.23 mm ² (solid) 0.14 mm ² ... 0.25 mm ² (flexible)

Dimensions

Width	22 mm
Height	34 mm
Length	80 mm

Material specifications

Flammability rating according to UL 94	V0
--	----

CUC-V14-C1S-S/R4IE8 - RJ45 connector



1407906

<https://www.phoenixcontact.com/us/products/1407906>

Seal material	NBR
Housing material	Metal
Contact material	Copper alloy
Contact surface material	Gold over nickel
Contact carrier material	PC

Cable/line

External cable diameter	5.5 mm ... 10 mm
External cable diameter	5.5 mm ... 10 mm
Cable cross section	0.14 mm ²
Wave impedance	100 Ω

Mechanical properties

Mechanical data

Insertion/withdrawal cycles	≥ 750
-----------------------------	-------

Standards and regulations

Standards/specifications	IEC 61076
--------------------------	-----------

CUC-V14-C1S-S/R4IE8 - RJ45 connector

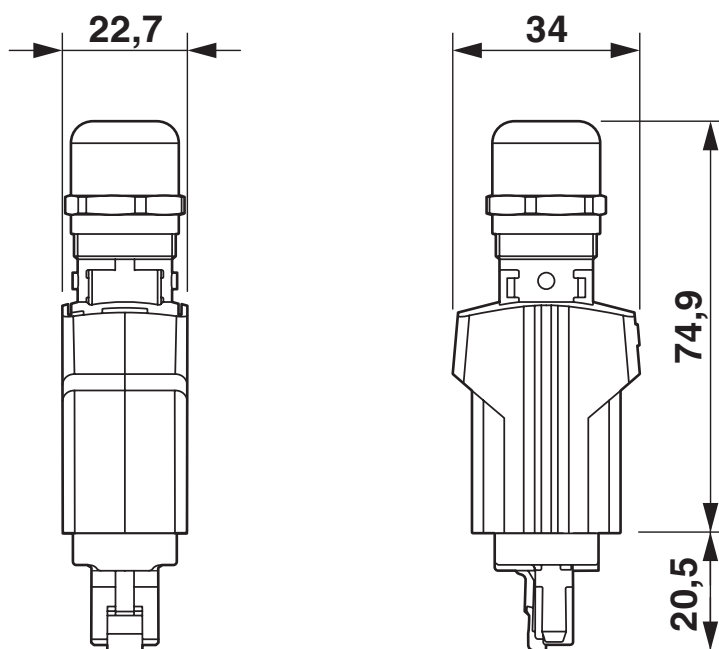
1407906

<https://www.phoenixcontact.com/us/products/1407906>



Drawings

Dimensional drawing



CUC-V14-C1S-S/R4IE8 - RJ45 connector



1407906

<https://www.phoenixcontact.com/us/products/1407906>

Classifications

ECLASS

ECLASS-13.0

27440116

ETIM

ETIM 9.0

EC002636

UNSPSC

UNSPSC 21.0

39121400

CUC-V14-C1S-S/R4IE8 - RJ45 connector



1407906

<https://www.phoenixcontact.com/us/products/1407906>

Environmental product compliance

EU RoHS

Fulfills EU RoHS substance requirements	Yes
Exemption	6(c)

China RoHS

Environment friendly use period (EFUP)	EFUP-50
	An article-related China RoHS declaration table can be found in the download area for the respective article under "Manufacturer declaration". For all articles with EFUP-E, no China RoHS declaration table issued and required.

EU REACH SVHC

REACH candidate substance (CAS No.)	Lead(CAS: 7439-92-1)
	6,6'-di-tert-butyl-2,2'-methylenedi-p-cresol(CAS: 119-47-1)
SCIP	cb0d1c8f-65e5-45f8-ab0a-5096e45f3146

Phoenix Contact 2026 © - all rights reserved
<https://www.phoenixcontact.com>

Phoenix Contact USA
586 Fulling Mill Road
Middletown, PA 17057, United States
(+717) 944-1300
info@phoenixcon.com