

FOC-V14-C1ZNI-B/SJFG - FO connectors



1407905

<https://www.phoenixcontact.com/us/products/1407905>

Please be informed that the data shown in this PDF document is generated from our online catalog. Please find the complete data in the user documentation. Our general terms of use for downloads are valid.



Push-pull connector (version 14), die-cast zinc, with SC-RJ insert for GOF, for cable diameter of 5.5 mm ... 10 mm, cable outlet at the bottom

Your advantages

- Locking system to prevent inadvertent release
- Highest ESD and EMC resistance for reliable transmission
- Push-pull ADVANCE connector

Commercial data

Item number	1407905
Packing unit	1 pc
Minimum order quantity	1 pc
Note	Made to order (non-returnable)
Sales key	AB17
Product key	ABNOBA
GTIN	4046356782074
Weight per piece (including packing)	102.9 g
Weight per piece (excluding packing)	102.9 g
Customs tariff number	85367000
Country of origin	DE

1407905

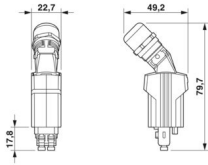
<https://www.phoenixcontact.com/us/products/1407905>

Technical data

Product properties

Product type	Data plug
Type	Version 14
Connection profile	SC-RJ connector
Shielded	no
Cable outlet	angled

Dimensions

Dimensional drawing	
Width	22 mm
Height	34 mm
Length	80 mm

Mechanical characteristics

Ferrule diameter	2.50 mm
------------------	---------

Material specifications

Seal material	NBR
Housing material	Die-cast zinc
Housing surface material	nickel-plated

Cable/line

Cable type	Fiber optics
External cable diameter	5.5 mm ... 10 mm
External cable diameter	5.5 mm ... 10 mm
Resistance to oil	yes
Flame resistance	yes

FO cable

Number of fibers	2
------------------	---

Mechanical properties

Mechanical data

Insertion/withdrawal cycles	≥ 50
-----------------------------	------

Environmental and real-life conditions

Ambient conditions

FOC-V14-C1ZNI-B/SJFG - FO connectors



1407905

<https://www.phoenixcontact.com/us/products/1407905>

Degree of protection	IP67
	IP65/IP67
Ambient temperature (operation)	-40 °C ... 70 °C
Ambient temperature (storage/transport)	-40 °C ... 70 °C
Ambient temperature (assembly)	-10 °C ... 40 °C
Resistance to oil	yes

Standards and regulations

Flame resistance	yes
Resistance to oil	yes

FOC-V14-C1ZNI-B/SJFG - FO connectors

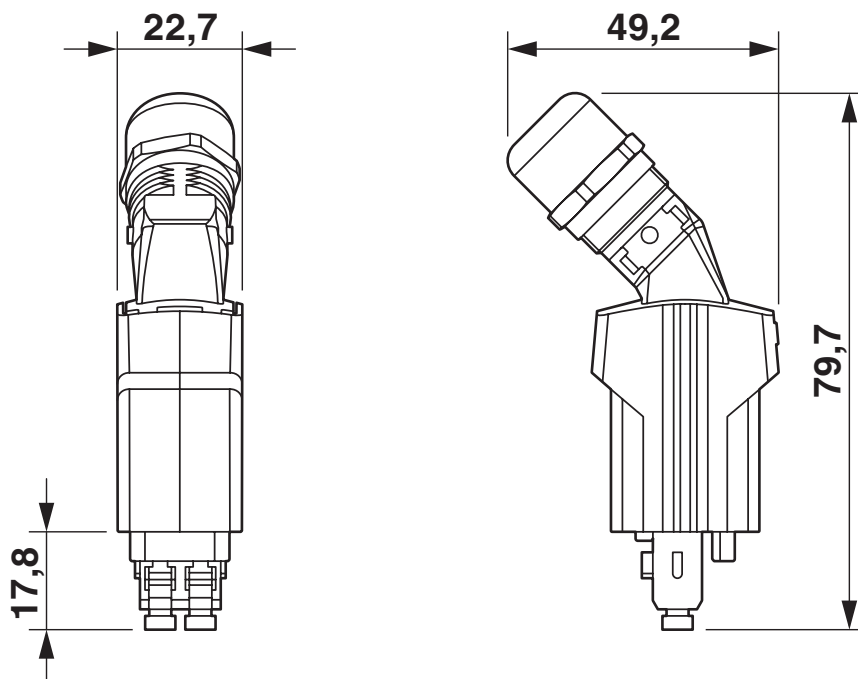


1407905

<https://www.phoenixcontact.com/us/products/1407905>

Drawings

Dimensional drawing



FOC-V14-C1ZNI-B/SJFG - FO connectors



1407905

<https://www.phoenixcontact.com/us/products/1407905>

Classifications

UNSPSC

UNSPSC 21.0	43223300
-------------	----------

1407905

<https://www.phoenixcontact.com/us/products/1407905>

Environmental product compliance

China RoHS

Environment friendly use period (EFUP)	EFUP-50
	An article-related China RoHS declaration table can be found in the download area for the respective article under "Manufacturer declaration". For all articles with EFUP-E, no China RoHS declaration table issued and required.

EU REACH SVHC

REACH candidate substance (CAS No.)	6,6'-di-tert-butyl-2,2'-methylenedi-p-cresol(CAS: 119-47-1)
SCIP	516b8dc6-13b8-4c91-9116-385676598104

Phoenix Contact 2026 © - all rights reserved
<https://www.phoenixcontact.com>

Phoenix Contact USA
586 Fulling Mill Road
Middletown, PA 17057, United States
(+717) 944-1300
info@phoenixcon.com