

CUC-V14-C1ZNI-S/R4IE8 - RJ45 connector



1407890

<https://www.phoenixcontact.com/us/products/1407890>

Please be informed that the data shown in this PDF document is generated from our online catalog. Please find the complete data in the user documentation. Our general terms of use for downloads are valid.



Push-pull connector (version 14), die-cast zinc, with RJ45 connector insert, 8-pos., with IDC fast connection technology, for 1 and 7-wire cores, 26 ... 24 AWG, for cable diameter of 5.5 mm ... 10 mm

Your advantages

- Locking system to prevent inadvertent removal
- Protected data transmission, thanks to 360° shielding concept
- High resistance to ESD and EMC for reliable transmission

Commercial data

Item number	1407890
Packing unit	1 pc
Note	Made to order (non-returnable)
Sales key	NULL
Product key	ABNOAA
GTIN	4046356781534
Weight per piece (including packing)	107.1 g
Weight per piece (excluding packing)	107.1 g
Customs tariff number	85366990
Country of origin	DE

CUC-V14-C1ZNI-S/R4IE8 - RJ45 connector



1407890

<https://www.phoenixcontact.com/us/products/1407890>

Technical data

Product properties

Product type	Data plug
Type	Version 14
Number of positions	8
Connection profile	RJ45
No. of cable outlets	1
Cable outlet	straight

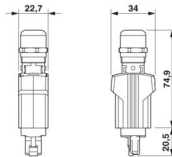
Electrical properties

Rated current	1.75 A
Dielectric strength	800 V (in accordance to DIN/EN 60603-7)
Transmission speed	1 Gbps

Connection data

Connection method	IDC fast connection
-------------------	---------------------

Dimensions

Dimensional drawing	
Width	22 mm
Height	34 mm
Length	80 mm

Material specifications

Housing material	Die-cast zinc
Housing surface material	nickel-plated

Cable/line

External cable diameter	5.5 mm ... 10 mm
External cable diameter	5.5 mm ... 10 mm

Mechanical properties

Mechanical data

Insertion/withdrawal cycles	≥ 750
-----------------------------	-------

Environmental and real-life conditions

Ambient conditions

CUC-V14-C1ZNI-S/R4IE8 - RJ45 connector



1407890

<https://www.phoenixcontact.com/us/products/1407890>

Degree of protection	IP65/IP67
Ambient temperature (operation)	-40 °C ... 70 °C
Ambient temperature (storage/transport)	-40 °C ... 70 °C
Ambient temperature (assembly)	-10 °C ... 40 °C

Standards and regulations

Standards/specifications	IEC PAS 61076-3-117
--------------------------	---------------------

CUC-V14-C1ZNI-S/R4IE8 - RJ45 connector

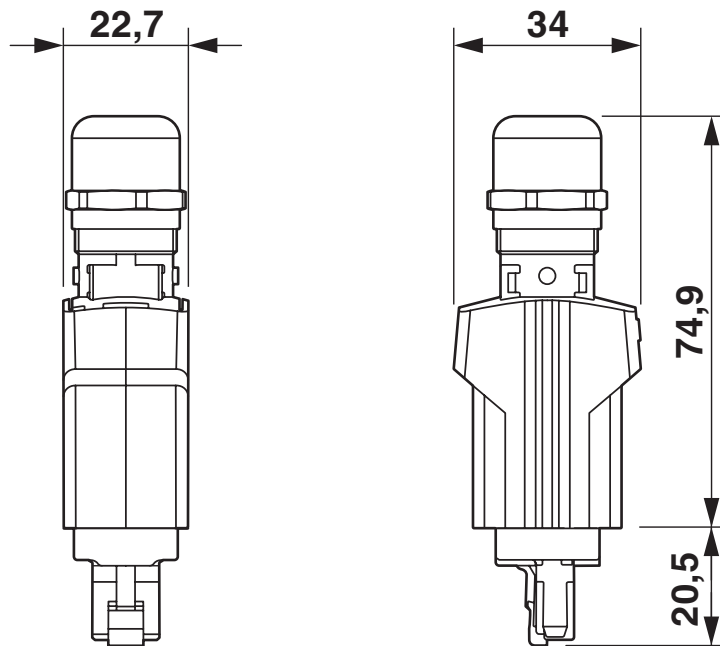
1407890

<https://www.phoenixcontact.com/us/products/1407890>



Drawings

Dimensional drawing



CUC-V14-C1ZNI-S/R4IE8 - RJ45 connector



1407890

<https://www.phoenixcontact.com/us/products/1407890>

Environmental product compliance

China RoHS

Environment friendly use period (EFUP)	EFUP-50
	An article-related China RoHS declaration table can be found in the download area for the respective article under "Manufacturer declaration". For all articles with EFUP-E, no China RoHS declaration table issued and required.

EU REACH SVHC

REACH candidate substance (CAS No.)	No substance above 0.1 wt%
-------------------------------------	----------------------------

Phoenix Contact 2026 © - all rights reserved

<https://www.phoenixcontact.com>

Phoenix Contact USA
586 Fulling Mill Road
Middletown, PA 17057, United States
(+717) 944-1300
info@phoenixcon.com