

# CUC-V14-C1ZNI-S/R4IP8 - RJ45 connector



1407889

<https://www.phoenixcontact.com/us/products/1407889>

Please be informed that the data shown in this PDF document is generated from our online catalog. Please find the complete data in the user documentation. Our general terms of use for downloads are valid.



Push-pull connector (version 14), die-cast zinc, with RJ45 connector insert, 8-pos., with IDC fast connection technology, for 1 and 7-wire cores, 23 ... 22 AWG, for cable diameter of 5.5 mm ... 10 mm

## Your advantages

- Locking system to prevent inadvertent removal
- Protected data transmission, thanks to 360° shielding concept
- High resistance to ESD and EMC for reliable transmission

## Commercial data

Item number	1407889
Packing unit	1 pc
Note	Made to order (non-returnable)
Sales key	NULL
Product key	ABNOAA
GTIN	4046356781527
Weight per piece (including packing)	110.2 g
Weight per piece (excluding packing)	108 g
Customs tariff number	85366990
Country of origin	DE

# CUC-V14-C1ZNI-S/R4IP8 - RJ45 connector

1407889

<https://www.phoenixcontact.com/us/products/1407889>

## Technical data

### Product properties

Product type	Data plug
Type	Version 14
Number of positions	8
Connection profile	RJ45
No. of cable outlets	1
Cable outlet	straight

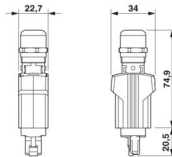
### Electrical properties

Rated current	1.75 A
Dielectric strength	800 V (in accordance to DIN/EN 60603-7)
Transmission speed	1 Gbps

### Connection data

Connection method	IDC fast connection
-------------------	---------------------

### Dimensions

Dimensional drawing	
Width	22 mm
Height	34 mm
Length	80 mm

### Material specifications

Housing material	Die-cast zinc
Housing surface material	nickel-plated

### Cable/line

External cable diameter	5.5 mm ... 10 mm
External cable diameter	5.5 mm ... 10 mm

### Mechanical properties

#### Mechanical data

Insertion/withdrawal cycles	≥ 750
-----------------------------	-------

### Environmental and real-life conditions

#### Ambient conditions

# CUC-V14-C1ZNI-S/R4IP8 - RJ45 connector



1407889

<https://www.phoenixcontact.com/us/products/1407889>

Degree of protection	IP65/IP67
Ambient temperature (operation)	-40 °C ... 70 °C
Ambient temperature (storage/transport)	-40 °C ... 70 °C
Ambient temperature (assembly)	-10 °C ... 40 °C

## Standards and regulations

Standards/specifications	IEC PAS 61076-3-117
--------------------------	---------------------

# CUC-V14-C1ZNI-S/R4IP8 - RJ45 connector

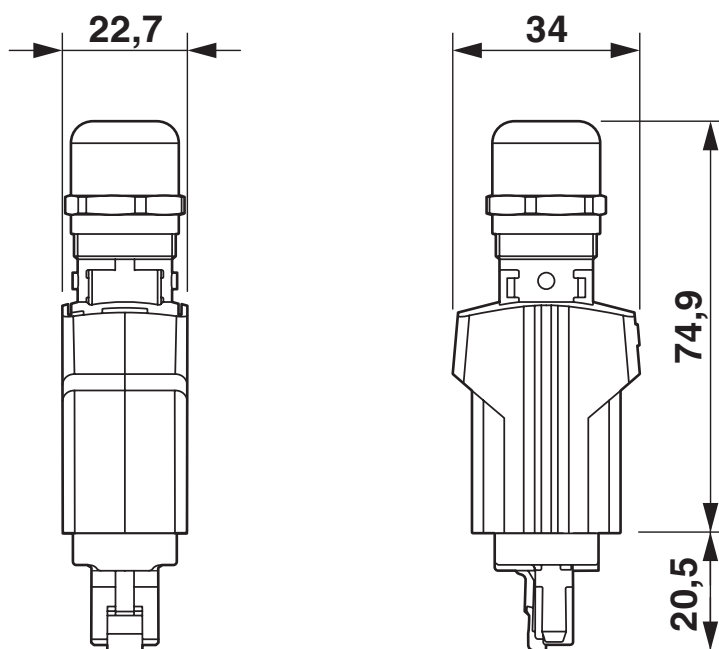
1407889

<https://www.phoenixcontact.com/us/products/1407889>



## Drawings

Dimensional drawing



# CUC-V14-C1ZNI-S/R4IP8 - RJ45 connector



1407889

<https://www.phoenixcontact.com/us/products/1407889>

## Environmental product compliance

### China RoHS

Environment friendly use period (EFUP)	EFUP-50
	An article-related China RoHS declaration table can be found in the download area for the respective article under "Manufacturer declaration". For all articles with EFUP-E, no China RoHS declaration table issued and required.

### EU REACH SVHC

REACH candidate substance (CAS No.)	No substance above 0.1 wt%
-------------------------------------	----------------------------

Phoenix Contact 2026 © - all rights reserved

<https://www.phoenixcontact.com>

Phoenix Contact USA  
586 Fulling Mill Road  
Middletown, PA 17057, United States  
(+717) 944-1300  
[info@phoenixcon.com](mailto:info@phoenixcon.com)