

HC-EVO-B16PT-BWD-HH-M25-PLRBK - Connector set



1407712

<https://www.phoenixcontact.com/us/products/1407712>

Please be informed that the data shown in this PDF document is generated from our online catalog. Please find the complete data in the user documentation. Our general terms of use for downloads are valid.

EVO connector set consisting of: 1407731, 1407732, 1407648, 1407643, 1407670



Your advantages

- Lower costs than metal version
- Labeling option using 9 x 20 mm marking label
- Low weight
- Lower risk of condensation

Commercial data

Item number	1407712
Packing unit	1 pc
Minimum order quantity	1 pc
Sales key	BF63
Product key	AF7AFX
GTIN	4046356777773
Weight per piece (including packing)	438.4 g
Weight per piece (excluding packing)	438.4 g
Customs tariff number	85366990
Country of origin	CN

HC-EVO-B16PT-BWD-HH-M25-PLRBK - Connector set



1407712

<https://www.phoenixcontact.com/us/products/1407712>

Set consists of

HC-B16-I-PT-F - Contact insert

1407731

<https://www.phoenixcontact.com/us/products/1407731>



Contact insert, number of positions: 16+PE, size: B16, number of connections per position: 1, Socket, Push-in connection, 500 V, 16 A, 0.14 mm² ... 2.5 mm², application: Power

HC-B16-I-PT-M - Contact insert

1407732

<https://www.phoenixcontact.com/us/products/1407732>



Contact insert, number of positions: 16+PE, size: B16, number of connections per position: 1, Pin, Push-in connection, 500 V, 16 A, 0.14 mm² ... 2.5 mm², application: Power

HC-EVO-B16PT-BWD-HH-M25-PLRBK - Connector set



1407712

<https://www.phoenixcontact.com/us/products/1407712>

HC-EVO-B16-BWD-PLRBK - Housing

1407648

<https://www.phoenixcontact.com/us/products/1407648>



HEAVYCON EVO panel mounting base, plastic, B16, with double locking latch, height: 30.5 mm, with flat gasket

HC-EVO-B16-HHFD-PLBK - Housing

1407643

<https://www.phoenixcontact.com/us/products/1407643>



HEAVYCON EVO sleeve housing, plastic, with bayonet flange for EVO screw connection, B16, for double locking latch, height: 78 mm, without EVO screw connection

HC-EVO-B16PT-BWD-HH-M25-PLRBK - Connector set



1407712

<https://www.phoenixcontact.com/us/products/1407712>

HC-B-G-M25-PLRBK - Cable gland

1407670

<https://www.phoenixcontact.com/us/products/1407670>



EVO plastic cable gland with bayonet locking, for housing series B, size M25, cable diameter: 9 mm ... 17 mm

HC-EVO-B16PT-BWD-HH-M25-PLRBK - Connector set



1407712

<https://www.phoenixcontact.com/us/products/1407712>

Technical data

Product properties

Product type	Connector set
Housing type	Complete housing
Series	HC-B
Type	B16
Number of positions	16
Connection profile	16+PE
Contact numbering	1 - 16
No. of cable outlets	1
Type of the screw connection	1x M25
Protective cover	no
Cable outlet	straight
Pg screw connection	none

Insulation characteristics

Overvoltage category	III
Degree of pollution	3

Electrical properties

Rated voltage (III/3)	500 V
Rated surge voltage	6 kV
Rated current	16 A
Nominal voltage U_N	500 V
Nominal current I_N	16 A

Connection data

Connection method	Push-in connection
Connection technology	Push-in connection
Connection in acc. with standard	IEC / EN
Conductor cross-section	0.14 mm ² ... 2.5 mm ² (with ferrule) 0.14 mm ² ... 2.5 mm ² (with ferrule)
Connection cross section AWG	26 ... 14 (with ferrule)
Tightening torque	0.8 Nm ... 1.2 Nm (PE connection) 0.5 Nm ... 0.8 Nm (Mounting screws for mounting in the HEAVYCON housing)
Stripping length	8 mm ... 10 mm

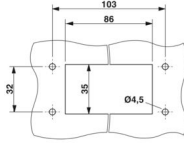
Dimensions

HC-EVO-B16PT-BWD-HH-M25-PLRBK - Connector set



1407712

<https://www.phoenixcontact.com/us/products/1407712>

Dimensional drawing	
Width	53 mm
Height	124 mm
Length	114 mm
Drill hole distance, horizontal	103 mm
Drill hole distance, vertical	32 mm

Installation dimensions	
Width of the assembly cutout	35 mm
Length of the assembly cutout	86 mm

Material specifications

Flammability rating according to UL 94	V0
Seal material Profile gasket	NBR
Seal material Flat gasket	NBR
Housing material	PA
Contact material	Copper alloy
Contact surface material	Ag
Contact carrier material	PA
Locking latch material	PA

Cable/line

External cable diameter	9 mm ... 17 mm
-------------------------	----------------

Mechanical properties

Mechanical data	
Type of the screw connection	1x M25
Locking type	Latch
Insertion/withdrawal cycles	≥ 500

Environmental and real-life conditions

Ambient conditions	
Degree of protection	IP66
Enclosure rating (NEMA)	12 (UL 50e)
Impact strength	IK09
Ambient temperature (operation)	-40 °C ... 100 °C

Mounting

Assembly note	Coding also using the CP-HC (1686478) coding profiles. HC-B6.. / HC-B10..for two coding profiles. HC-B16../ HC-B24..for four
---------------	--

HC-EVO-B16PT-BWD-HH-M25-PLRBK - Connector set



1407712

<https://www.phoenixcontact.com/us/products/1407712>

coding profiles.

Connectors may only be operated when there is no load/the power is switched off. Can be used for solid wires and stranded wires with ferrule.

HC-EVO-B16PT-BWD-HH-M25-PLRBK - Connector set

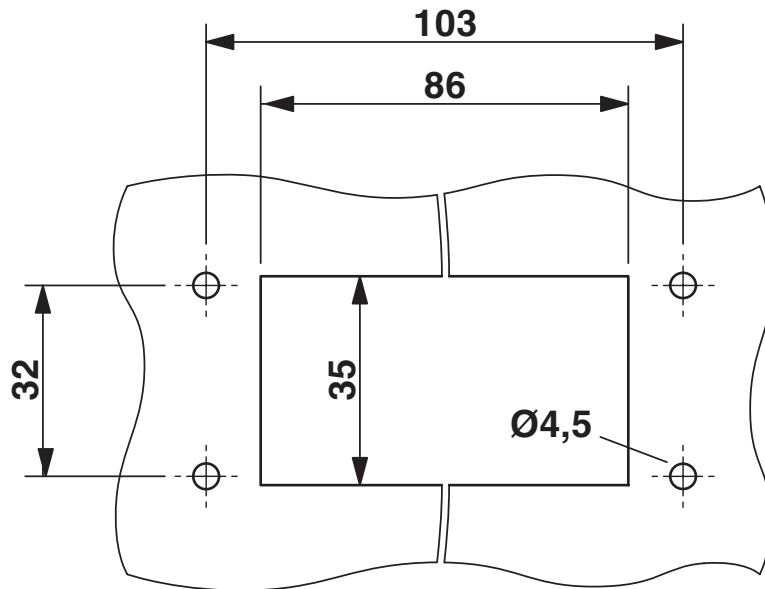


1407712

<https://www.phoenixcontact.com/us/products/1407712>

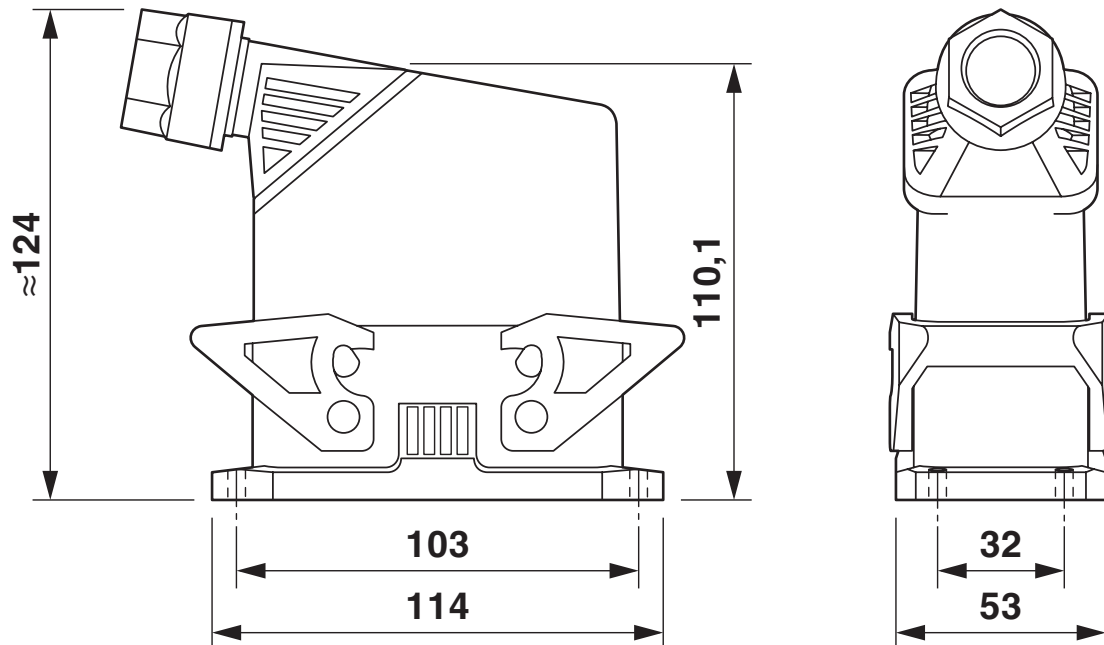
Drawings

Dimensional drawing



Mounting cutout

Dimensional drawing



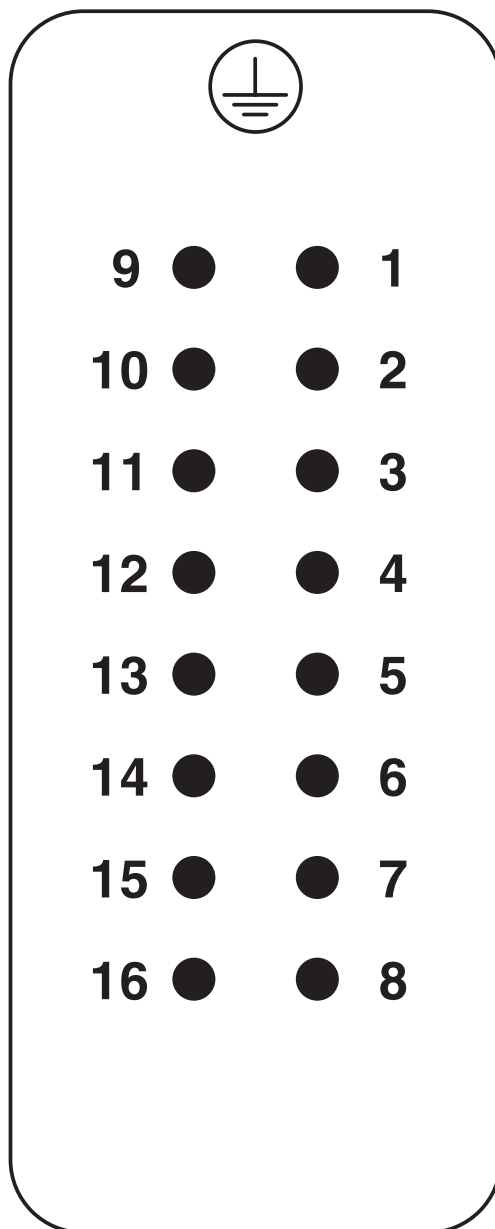
Dimensional drawing

HC-EVO-B16PT-BWD-HH-M25-PLRBK - Connector set

1407712

<https://www.phoenixcontact.com/us/products/1407712>

Schematic diagram



Pin assignment, connection side, pin

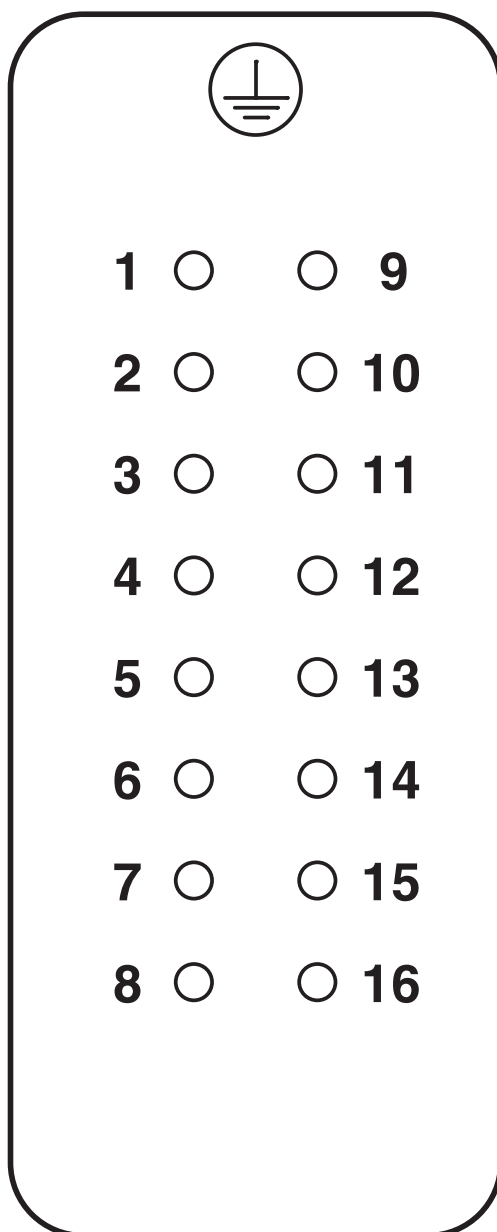
HC-EVO-B16PT-BWD-HH-M25-PLRBK - Connector set



1407712

<https://www.phoenixcontact.com/us/products/1407712>

Schematic diagram



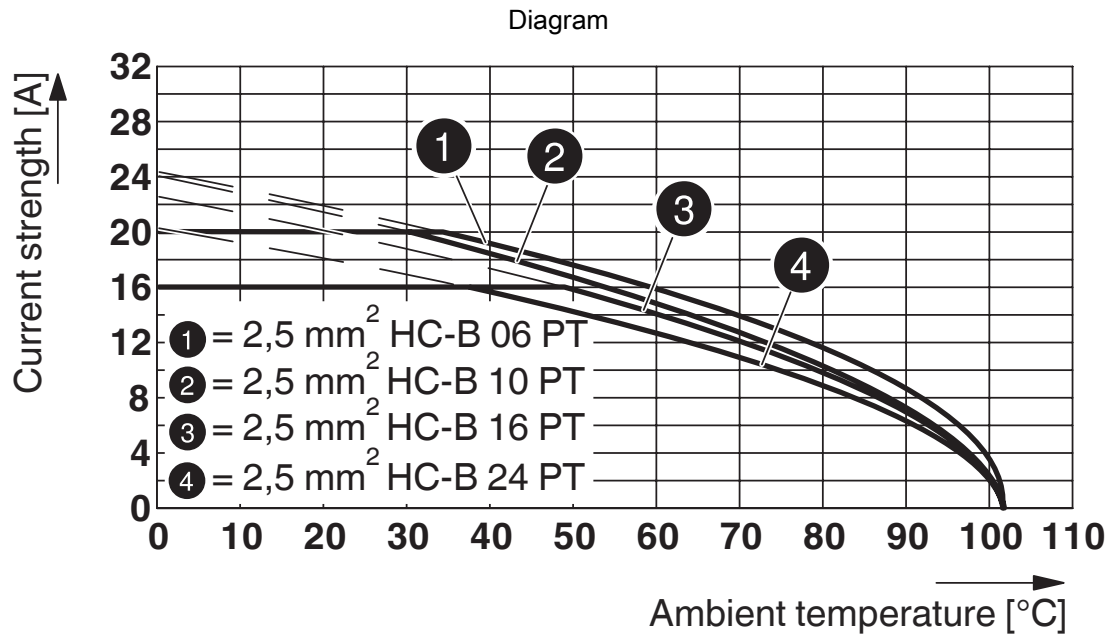
Pin assignment, connection side, socket

HC-EVO-B16PT-BWD-HH-M25-PLRBK - Connector set



1407712

<https://www.phoenixcontact.com/us/products/1407712>



Derating diagram

HC-EVO-B16PT-BWD-HH-M25-PLRBK - Connector set



1407712

<https://www.phoenixcontact.com/us/products/1407712>

Approvals

🔗 To download certificates, visit the product detail page: <https://www.phoenixcontact.com/us/products/1407712>

DNV

Approval ID: TAE000037S



EAC

Approval ID: RU C-DE.AI30.B.01102

HC-EVO-B16PT-BWD-HH-M25-PLRBK - Connector set



1407712

<https://www.phoenixcontact.com/us/products/1407712>

Classifications

ECLASS

ECLASS-13.0	27440113
ECLASS-15.0	27440113

ETIM

ETIM 10.0	EC002636
-----------	----------

UNSPSC

UNSPSC 21.0	39121400
-------------	----------

HC-EVO-B16PT-BWD-HH-M25-PLRBK - Connector set



1407712

<https://www.phoenixcontact.com/us/products/1407712>

Environmental product compliance

EU RoHS

Fulfills EU RoHS substance requirements	Yes, No exemptions
---	--------------------

China RoHS

Environment friendly use period (EFUP)	EFUP-E
	No hazardous substances above the limits

EU REACH SVHC

REACH candidate substance (CAS No.)	No substance above 0.1 wt%
-------------------------------------	----------------------------

Phoenix Contact 2026 © - all rights reserved
<https://www.phoenixcontact.com>

Phoenix Contact USA
586 Fulling Mill Road
Middletown, PA 17057, United States
(+717) 944-1300
info@phoenixcon.com