

# HC-B24-SG-RBK - Flat gasket

1407705

<https://www.phoenixcontact.com/us/products/1407705>

Please be informed that the data shown in this PDF document is generated from our online catalog. Please find the complete data in the user documentation. Our general terms of use for downloads are valid.

Replacement flat gasket, for HEAVYCON EVO panel mounting base type B24



## Commercial data

Item number	1407705
Packing unit	10 pc
Minimum order quantity	10 pc
Sales key	BF66
Product key	AF7AUX
GTIN	4046356777995
Weight per piece (including packing)	8.05 g
Weight per piece (excluding packing)	7.5 g
Customs tariff number	40169300
Country of origin	DE

# HC-B24-SG-RBK - Flat gasket



1407705

<https://www.phoenixcontact.com/us/products/1407705>

## Technical data

### Product properties

Product type	Seal
--------------	------

### Material specifications

Material	NBR
----------	-----

### Environmental and real-life conditions

#### Ambient conditions

Ambient temperature (operation)	-40 °C ... 125 °C
---------------------------------	-------------------

### Mounting

Assembly note	For HC-EVO-B24.....BK housing
---------------	-------------------------------

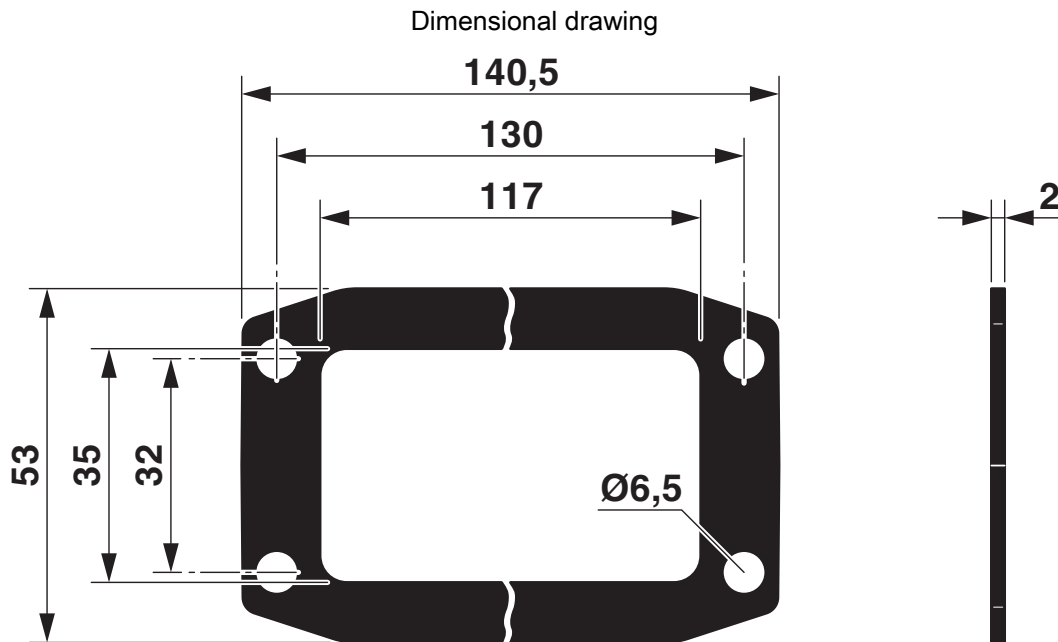
# HC-B24-SG-RBK - Flat gasket

1407705

<https://www.phoenixcontact.com/us/products/1407705>



## Drawings



Dimensional drawing

# HC-B24-SG-RBK - Flat gasket

1407705

<https://www.phoenixcontact.com/us/products/1407705>



## Approvals

To download certificates, visit the product detail page: <https://www.phoenixcontact.com/us/products/1407705>



**EAC**

Approval ID: RU C-DE.AI30.B.01102

# HC-B24-SG-RBK - Flat gasket

1407705

<https://www.phoenixcontact.com/us/products/1407705>



## Classifications

### ECLASS

ECLASS-13.0	23071590
ECLASS-15.0	27440292

### ETIM

ETIM 10.0	EC002943
-----------	----------

### UNSPSC

UNSPSC 21.0	31401600
-------------	----------

# HC-B24-SG-RBK - Flat gasket



1407705

<https://www.phoenixcontact.com/us/products/1407705>

## Environmental product compliance

### EU RoHS

Fulfills EU RoHS substance requirements	Yes, No exemptions
---	--------------------

### China RoHS

Environment friendly use period (EFUP)	EFUP-E
	No hazardous substances above the limits

### EU REACH SVHC

REACH candidate substance (CAS No.)	No substance above 0.1 wt%
-------------------------------------	----------------------------

### EF3.1 Climate Change

CO2e kg	0.152 kg CO2e
---------	---------------

Phoenix Contact 2026 © - all rights reserved  
<https://www.phoenixcontact.com>

Phoenix Contact USA  
586 Fulling Mill Road  
Middletown, PA 17057, United States  
(+717) 944-1300  
[info@phoenixcon.com](mailto:info@phoenixcon.com)