

HC-B16-SG-RBK - Flat gasket

1407704

<https://www.phoenixcontact.com/us/products/1407704>

Please be informed that the data shown in this PDF document is generated from our online catalog. Please find the complete data in the user documentation. Our general terms of use for downloads are valid.

Replacement flat gasket, for HEAVYCON EVO panel mounting base type B16



Commercial data

| | |
|--------------------------------------|---------------|
| Item number | 1407704 |
| Packing unit | 10 pc |
| Minimum order quantity | 10 pc |
| Sales key | BF66 |
| Product key | AF7AUX |
| GTIN | 4046356777988 |
| Weight per piece (including packing) | 6.57 g |
| Weight per piece (excluding packing) | 6.34 g |
| Customs tariff number | 40169300 |
| Country of origin | DE |

HC-B16-SG-RBK - Flat gasket



1407704

<https://www.phoenixcontact.com/us/products/1407704>

Technical data

Product properties

| | |
|--------------|------|
| Product type | Seal |
|--------------|------|

Material specifications

| | |
|----------|-----|
| Material | NBR |
|----------|-----|

Environmental and real-life conditions

Ambient conditions

| | |
|---------------------------------|-------------------|
| Ambient temperature (operation) | -40 °C ... 125 °C |
|---------------------------------|-------------------|

Mounting

| | |
|---------------|-------------------------------|
| Assembly note | For HC-EVO-B16.....BK housing |
|---------------|-------------------------------|

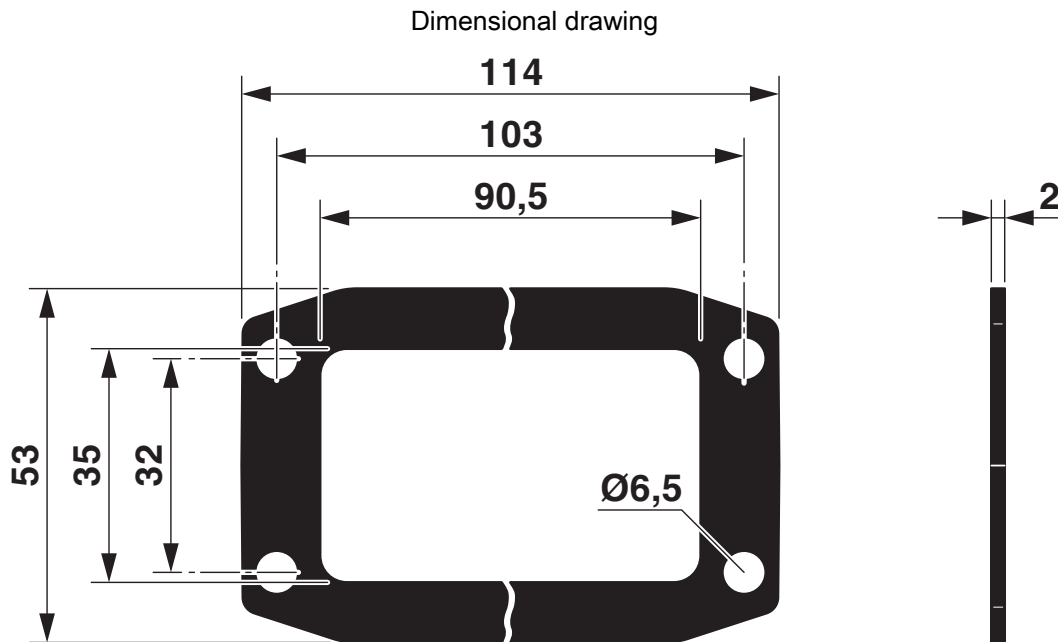
HC-B16-SG-RBK - Flat gasket

1407704

<https://www.phoenixcontact.com/us/products/1407704>



Drawings



Dimensional drawing

HC-B16-SG-RBK - Flat gasket



1407704

<https://www.phoenixcontact.com/us/products/1407704>

Approvals

To download certificates, visit the product detail page: <https://www.phoenixcontact.com/us/products/1407704>



EAC

Approval ID: RU C-DE.AI30.B.01102

HC-B16-SG-RBK - Flat gasket



1407704

<https://www.phoenixcontact.com/us/products/1407704>

Classifications

ECLASS

| | |
|-------------|----------|
| ECLASS-13.0 | 23071590 |
| ECLASS-15.0 | 27440292 |

ETIM

| | |
|-----------|----------|
| ETIM 10.0 | EC002943 |
|-----------|----------|

UNSPSC

| | |
|-------------|----------|
| UNSPSC 21.0 | 31401600 |
|-------------|----------|

HC-B16-SG-RBK - Flat gasket



1407704

<https://www.phoenixcontact.com/us/products/1407704>

Environmental product compliance

EU RoHS

| | |
|---|--------------------|
| Fulfills EU RoHS substance requirements | Yes, No exemptions |
|---|--------------------|

China RoHS

| | |
|--|--|
| Environment friendly use period (EFUP) | EFUP-E |
| | No hazardous substances above the limits |

EU REACH SVHC

| | |
|-------------------------------------|----------------------------|
| REACH candidate substance (CAS No.) | No substance above 0.1 wt% |
|-------------------------------------|----------------------------|

EF3.1 Climate Change

| | |
|---------|---------------|
| CO2e kg | 0.135 kg CO2e |
|---------|---------------|

Phoenix Contact 2026 © - all rights reserved
<https://www.phoenixcontact.com>

Phoenix Contact USA
586 Fulling Mill Road
Middletown, PA 17057, United States
(+717) 944-1300
info@phoenixcon.com