

HC-B06-SG-RBK - Flat gasket

1407702

<https://www.phoenixcontact.com/us/products/1407702>

Please be informed that the data shown in this PDF document is generated from our online catalog. Please find the complete data in the user documentation. Our general terms of use for downloads are valid.

Replacement flat gasket, for HEAVYCON EVO panel mounting base type B6



Commercial data

Item number	1407702
Packing unit	10 pc
Minimum order quantity	10 pc
Sales key	BF66
Product key	AF7AUX
GTIN	4046356777841
Weight per piece (including packing)	5.41 g
Weight per piece (excluding packing)	5.41 g
Customs tariff number	40169300
Country of origin	DE

HC-B06-SG-RBK - Flat gasket



1407702

<https://www.phoenixcontact.com/us/products/1407702>

Technical data

Product properties

Product type	Seal
Application	for panel-mount base (EVO)

Material specifications

Material	NBR
----------	-----

Environmental and real-life conditions

Ambient conditions

Ambient temperature (operation)	-40 °C ... 125 °C
---------------------------------	-------------------

Mounting

Assembly note	For HC-EVO-B06.....BK housing
---------------	-------------------------------

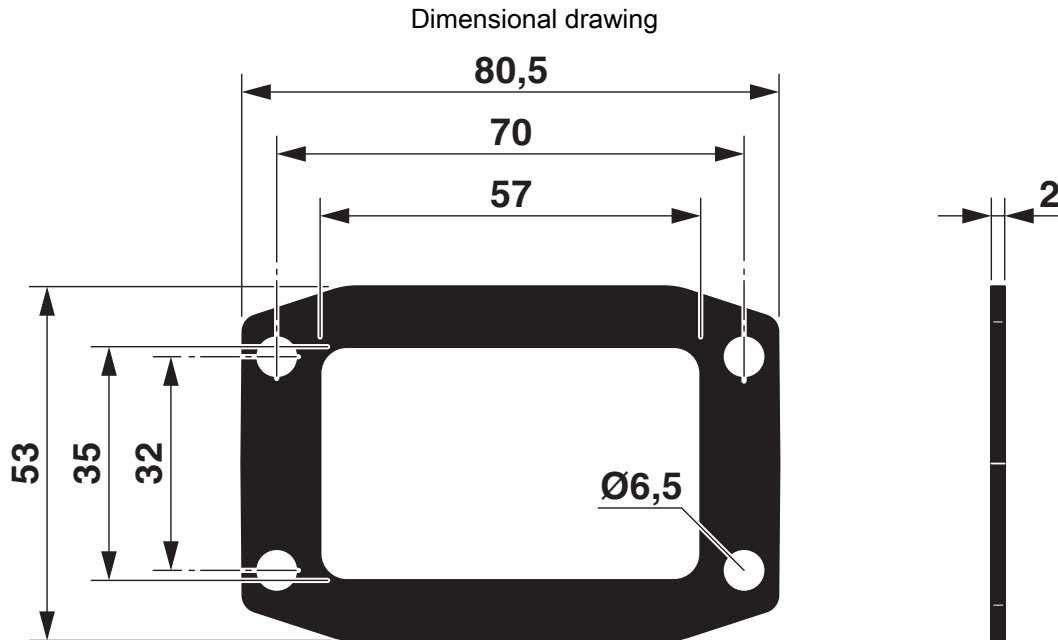
HC-B06-SG-RBK - Flat gasket

1407702

<https://www.phoenixcontact.com/us/products/1407702>



Drawings



Dimensional drawing

HC-B06-SG-RBK - Flat gasket



1407702

<https://www.phoenixcontact.com/us/products/1407702>

Approvals

🔗 To download certificates, visit the product detail page: <https://www.phoenixcontact.com/us/products/1407702>



EAC

Approval ID: RU C-DE.AI30.B.01102

HC-B06-SG-RBK - Flat gasket



1407702

<https://www.phoenixcontact.com/us/products/1407702>

Classifications

ECLASS

ECLASS-13.0	23071590
ECLASS-15.0	27440292

ETIM

ETIM 10.0	EC002943
-----------	----------

UNSPSC

UNSPSC 21.0	31401600
-------------	----------

HC-B06-SG-RBK - Flat gasket



1407702

<https://www.phoenixcontact.com/us/products/1407702>

Environmental product compliance

EU RoHS

Fulfills EU RoHS substance requirements	Yes, No exemptions
---	--------------------

China RoHS

Environment friendly use period (EFUP)	EFUP-E
	No hazardous substances above the limits

EU REACH SVHC

REACH candidate substance (CAS No.)	No substance above 0.1 wt%
-------------------------------------	----------------------------

EF3.1 Climate Change

CO2e kg	0.089 kg CO2e
---------	---------------

Phoenix Contact 2026 © - all rights reserved
<https://www.phoenixcontact.com>

Phoenix Contact USA
586 Fulling Mill Road
Middletown, PA 17057, United States
(+717) 944-1300
info@phoenixcon.com