

HC-B06-SL-PLBK - Housing brackets

1407697

<https://www.phoenixcontact.com/us/products/1407697>

Please be informed that the data shown in this PDF document is generated from our online catalog. Please find the complete data in the user documentation. Our general terms of use for downloads are valid.

Replacement single locking latch for HEAVYCON EVO housing type B6, PA



Commercial data

Item number	1407697
Packing unit	10 pc
Minimum order quantity	10 pc
Sales key	BF66
Product key	AF7AUX
GTIN	4046356777803
Weight per piece (including packing)	14.29 g
Weight per piece (excluding packing)	13.83 g
Customs tariff number	85389099
Country of origin	PL

HC-B06-SL-PLBK - Housing brackets



1407697

<https://www.phoenixcontact.com/us/products/1407697>

Technical data

Product properties

Product type	Housing latches
Type	B6

Material specifications

Color	black (RAL 9005)
Material	PA
Flammability rating according to UL 94	V0
Locking latch material	PA

Environmental and real-life conditions

Ambient conditions

Ambient temperature (operation)	-40 °C ... 100 °C
---------------------------------	-------------------

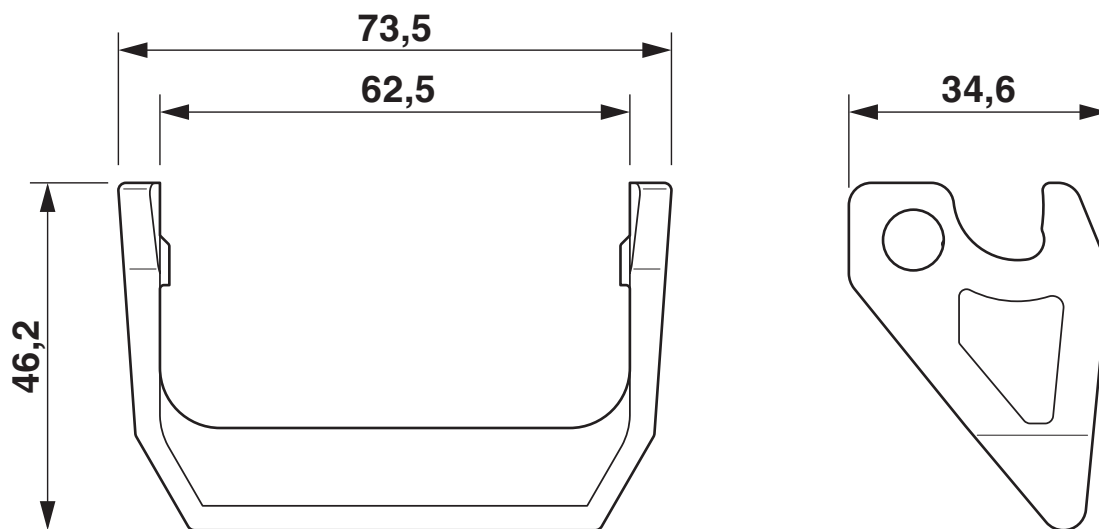
HC-B06-SL-PLBK - Housing brackets

1407697

<https://www.phoenixcontact.com/us/products/1407697>

Drawings

Dimensional drawing



Dimensional drawing

HC-B06-SL-PLBK - Housing brackets



1407697

<https://www.phoenixcontact.com/us/products/1407697>

Approvals

To download certificates, visit the product detail page: <https://www.phoenixcontact.com/us/products/1407697>



EAC

Approval ID: RU C-DE.AI30.B.01102

HC-B06-SL-PLBK - Housing brackets



1407697

<https://www.phoenixcontact.com/us/products/1407697>

Classifications

ECLASS

ECLASS-15.0	27440192
ECLASS-13.0	27440192

ETIM

ETIM 10.0	EC002943
-----------	----------

UNSPSC

UNSPSC 21.0	39121400
-------------	----------

HC-B06-SL-PLBK - Housing brackets



1407697

<https://www.phoenixcontact.com/us/products/1407697>

Environmental product compliance

EU RoHS

Fulfills EU RoHS substance requirements	Yes, No exemptions
---	--------------------

China RoHS

Environment friendly use period (EFUP)	EFUP-E
	No hazardous substances above the limits

EU REACH SVHC

REACH candidate substance (CAS No.)	No substance above 0.1 wt%
-------------------------------------	----------------------------

EF3.1 Climate Change

CO2e kg	0.08 kg CO2e
---------	--------------

Phoenix Contact 2026 © - all rights reserved
<https://www.phoenixcontact.com>

Phoenix Contact USA
586 Fulling Mill Road
Middletown, PA 17057, United States
(+717) 944-1300
info@phoenixcon.com