

# HC-B-G-M40-PLRBK - Cable gland

1407672

<https://www.phoenixcontact.com/us/products/1407672>

Please be informed that the data shown in this PDF document is generated from our online catalog. Please find the complete data in the user documentation. Our general terms of use for downloads are valid.



EVO plastic cable gland with bayonet locking, for housing series B, size M40, cable diameter: 19 ... 28 mm

## Commercial data

|                                      |               |
|--------------------------------------|---------------|
| Item number                          | 1407672       |
| Packing unit                         | 1 pc          |
| Minimum order quantity               | 1 pc          |
| Sales key                            | BF57          |
| Product key                          | AF7APL        |
| GTIN                                 | 4046356776400 |
| Weight per piece (including packing) | 65.6 g        |
| Weight per piece (excluding packing) | 65.3 g        |
| Customs tariff number                | 39269097      |
| Country of origin                    | PL            |

# HC-B-G-M40-PLRBK - Cable gland

1407672

<https://www.phoenixcontact.com/us/products/1407672>

## Technical data

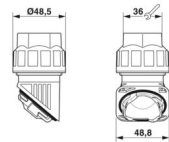
### Mounting

|               |                                        |
|---------------|----------------------------------------|
| Assembly note | Bayonet locking max. 3x can be removed |
|---------------|----------------------------------------|

### Product properties

|                              |                   |
|------------------------------|-------------------|
| Product type                 | Cable screw gland |
| No. of conductors            | 1                 |
| Type of the screw connection | M40               |
| Shielded                     | no                |

### Dimensions

|                        |                                                                                     |
|------------------------|-------------------------------------------------------------------------------------|
| Dimensional drawing    |  |
| Width                  | 48.8 mm                                                                             |
| Height                 | 81.5 mm                                                                             |
| Depth                  | 74.8 mm                                                                             |
| Wrench size, union nut | 36 mm                                                                               |

### Material specifications

|                                        |                  |
|----------------------------------------|------------------|
| Color                                  | black (RAL 9005) |
| Material Pressure screw                | PA               |
| Flammability rating according to UL 94 | V0 / V2          |
| Seal material O-ring                   | NBR              |
| Seal material Cable seal               | NBR              |
| Material for screw connection          | PA               |

### Cable/line

|                                 |                 |
|---------------------------------|-----------------|
| External cable diameter Cable 1 | 19 mm ... 28 mm |
|---------------------------------|-----------------|

### Environmental and real-life conditions

#### Ambient conditions

|                                 |                   |
|---------------------------------|-------------------|
| Degree of protection            | IP66              |
| Enclosure rating (NEMA)         | 12 (UL 50e)       |
| Ambient temperature (operation) | -40 °C ... 100 °C |

# HC-B-G-M40-PLRBK - Cable gland

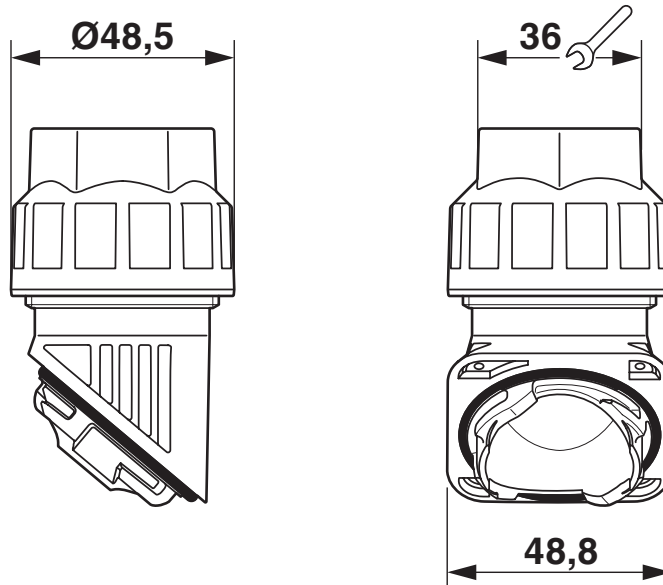
1407672

<https://www.phoenixcontact.com/us/products/1407672>



## Drawings

Dimensional drawing



Dimensional drawing

# HC-B-G-M40-PLRBK - Cable gland



1407672

<https://www.phoenixcontact.com/us/products/1407672>

## Approvals

To download certificates, visit the product detail page: <https://www.phoenixcontact.com/us/products/1407672>

**DNV**

Approval ID: TAE000037S



**cUL Recognized**

Approval ID: E255026



**UL Recognized**

Approval ID: E255026



**EAC**

Approval ID: RU C-DE.AI30.B.01102



**EAC-RoHS**

Approval ID: RU D-DE.HB35.B.00387

# HC-B-G-M40-PLRBK - Cable gland



1407672

<https://www.phoenixcontact.com/us/products/1407672>

## Classifications

### ECLASS

|             |          |
|-------------|----------|
| ECLASS-13.0 | 27140801 |
| ECLASS-15.0 | 27140801 |

### ETIM

|           |          |
|-----------|----------|
| ETIM 10.0 | EC000441 |
|-----------|----------|

### UNSPSC

|             |          |
|-------------|----------|
| UNSPSC 21.0 | 39121300 |
|-------------|----------|

# HC-B-G-M40-PLRBK - Cable gland



1407672

<https://www.phoenixcontact.com/us/products/1407672>

## Environmental product compliance

### EU RoHS

|                                         |                    |
|-----------------------------------------|--------------------|
| Fulfills EU RoHS substance requirements | Yes, No exemptions |
|-----------------------------------------|--------------------|

### China RoHS

|                                        |                                          |
|----------------------------------------|------------------------------------------|
| Environment friendly use period (EFUP) | EFUP-E                                   |
|                                        | No hazardous substances above the limits |

### EU REACH SVHC

|                                     |                            |
|-------------------------------------|----------------------------|
| REACH candidate substance (CAS No.) | No substance above 0.1 wt% |
|-------------------------------------|----------------------------|

### EF3.1 Climate Change

|         |               |
|---------|---------------|
| CO2e kg | 0.331 kg CO2e |
|---------|---------------|

Phoenix Contact 2026 © - all rights reserved  
<https://www.phoenixcontact.com>

Phoenix Contact USA  
586 Fulling Mill Road  
Middletown, PA 17057, United States  
(+717) 944-1300  
[info@phoenixcon.com](mailto:info@phoenixcon.com)