

# HC-B-G-M32-PLRBK - Cable gland



1407671

<https://www.phoenixcontact.com/us/products/1407671>

Please be informed that the data shown in this PDF document is generated from our online catalog. Please find the complete data in the user documentation. Our general terms of use for downloads are valid.



EVO plastic cable gland with bayonet locking, for housing series B, size M32, cable diameter: 11 mm ... 21 mm

## Commercial data

Item number	1407671
Packing unit	1 pc
Minimum order quantity	1 pc
Sales key	BF57
Product key	AF7APL
GTIN	4046356776394
Weight per piece (including packing)	55.5 g
Weight per piece (excluding packing)	55.4 g
Customs tariff number	39269097
Country of origin	PL

# HC-B-G-M32-PLRBK - Cable gland

1407671

<https://www.phoenixcontact.com/us/products/1407671>

## Technical data

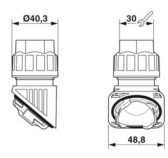
### Mounting

Assembly note	Bayonet locking max. 3x can be removed
---------------	--

### Product properties

Product type	Cable screw gland
No. of conductors	1
Type of the screw connection	M32
Shielded	no

### Dimensions

Dimensional drawing	
Width	48.8 mm
Height	76 mm
Depth	69.5 mm
Wrench size, union nut	30 mm

### Material specifications

Color	black (RAL 9005)
Material Pressure screw	PA
Flammability rating according to UL 94	V0 / V2
Seal material O-ring	NBR
Seal material Cable seal	NBR
Material for screw connection	PA

### Cable/line

External cable diameter Cable 1	11 mm ... 21 mm
---------------------------------	-----------------

### Environmental and real-life conditions

#### Ambient conditions

Degree of protection	IP66
Enclosure rating (NEMA)	12 (UL 50e)
Ambient temperature (operation)	-40 °C ... 100 °C

# HC-B-G-M32-PLRBK - Cable gland

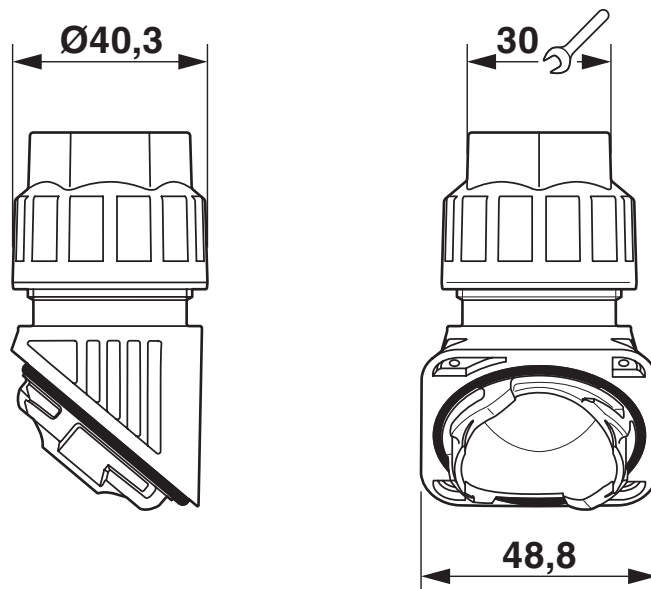
1407671

<https://www.phoenixcontact.com/us/products/1407671>



## Drawings

Dimensional drawing



Dimensional drawing

# HC-B-G-M32-PLRBK - Cable gland



1407671

<https://www.phoenixcontact.com/us/products/1407671>

## Approvals

To download certificates, visit the product detail page: <https://www.phoenixcontact.com/us/products/1407671>

**DNV**

Approval ID: TAE000037S



**cUL Recognized**

Approval ID: E255026



**UL Recognized**

Approval ID: E255026



**EAC**

Approval ID: RU C-DE.AI30.B.01102



**EAC-RoHS**

Approval ID: RU D-DE.HB35.B.00387

# HC-B-G-M32-PLRBK - Cable gland



1407671

<https://www.phoenixcontact.com/us/products/1407671>

## Classifications

### ECLASS

ECLASS-13.0	27140801
ECLASS-15.0	27140801

### ETIM

ETIM 10.0	EC000441
-----------	----------

### UNSPSC

UNSPSC 21.0	39121300
-------------	----------

# HC-B-G-M32-PLRBK - Cable gland



1407671

<https://www.phoenixcontact.com/us/products/1407671>

## Environmental product compliance

### EU RoHS

Fulfills EU RoHS substance requirements	Yes, No exemptions
---	--------------------

### China RoHS

Environment friendly use period (EFUP)	EFUP-E
	No hazardous substances above the limits

### EU REACH SVHC

REACH candidate substance (CAS No.)	No substance above 0.1 wt%
-------------------------------------	----------------------------

### EF3.1 Climate Change

CO2e kg	0.386 kg CO2e
---------	---------------

Phoenix Contact 2026 © - all rights reserved  
<https://www.phoenixcontact.com>

Phoenix Contact USA  
586 Fulling Mill Road  
Middletown, PA 17057, United States  
(+717) 944-1300  
[info@phoenixcon.com](mailto:info@phoenixcon.com)