

HC-EVO-B24-BWSC-PLRBK - Housing



1407660

<https://www.phoenixcontact.com/us/products/1407660>

Please be informed that the data shown in this PDF document is generated from our online catalog. Please find the complete data in the user documentation. Our general terms of use for downloads are valid.



Panel mounting base B24, with single locking latch, material: PA 6.6-FR, protective cover material: PC, height: 30.5 mm, cable gland: none, protective cover: yes, Standard, with flat gasket

Your advantages

- Lower costs than metal version
- Low weight
- Lower risk of condensation

Commercial data

| | |
|--------------------------------------|---------------|
| Item number | 1407660 |
| Packing unit | 1 pc |
| Minimum order quantity | 1 pc |
| Sales key | BF57 |
| Product key | AF7APL |
| GTIN | 4046356777230 |
| Weight per piece (including packing) | 160 g |
| Weight per piece (excluding packing) | 142.6 g |
| Customs tariff number | 85389099 |
| Country of origin | PL |

HC-EVO-B24-BWSC-PLRBK - Housing



1407660

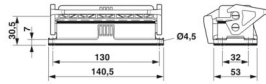
<https://www.phoenixcontact.com/us/products/1407660>

Technical data

Product properties

| | |
|---------------------|----------------------------|
| Product type | Housing with locking latch |
| Housing type | Panel mounting base |
| Product family | HC-EVO-B |
| Application | Standard |
| Type | B24 |
| Protective cover | yes |
| Pg screw connection | none |

Dimensions

| | |
|---------------------------------|--|
| Dimensional drawing |  |
| Width | 53 mm |
| Height | 30.5 mm |
| Length | 140.5 mm |
| Drill hole distance, horizontal | 130 mm |
| Drill hole distance, vertical | 32 mm |
| Hole diameter | 4.5 mm |

Installation dimensions

| | |
|-------------------------------|--------|
| Width of the assembly cutout | 35 mm |
| Length of the assembly cutout | 113 mm |

Material specifications

| | |
|--|-----------------------|
| Flammability rating according to UL 94 | V0 (Housing) |
| | V0 (Interlock) |
| | V0 (Protective cover) |
| Seal material | NBR |
| | NBR |
| Housing material | PA 6.6-FR |
| Material, protective cover | PC |
| Locking latch material | PA |

Mechanical properties

Mechanical data

| | |
|--------------|-------|
| Locking type | Latch |
|--------------|-------|

Connection data

| | |
|-------------------|--|
| Tightening torque | 0.8 Nm ... 1.2 Nm (For M4 mounting screws on the panel-mount base) |
|-------------------|--|

HC-EVO-B24-BWSC-PLRBK - Housing



1407660

<https://www.phoenixcontact.com/us/products/1407660>

Mounting

| | |
|---------------|---|
| Assembly note | Not for D series terminal adapters |
| | Not for HC-B 24-ADP-B..... adapter plates |

Environmental and real-life conditions

Ambient conditions

| | |
|---------------------------------|--|
| Degree of protection | IP66 (when plugged in or with locked protective cover) |
| Enclosure rating (NEMA) | 12 (UL 50e) |
| Impact strength | IK08 |
| Ambient temperature (operation) | -40 °C ... 125 °C |

HC-EVO-B24-BWSC-PLRBK - Housing

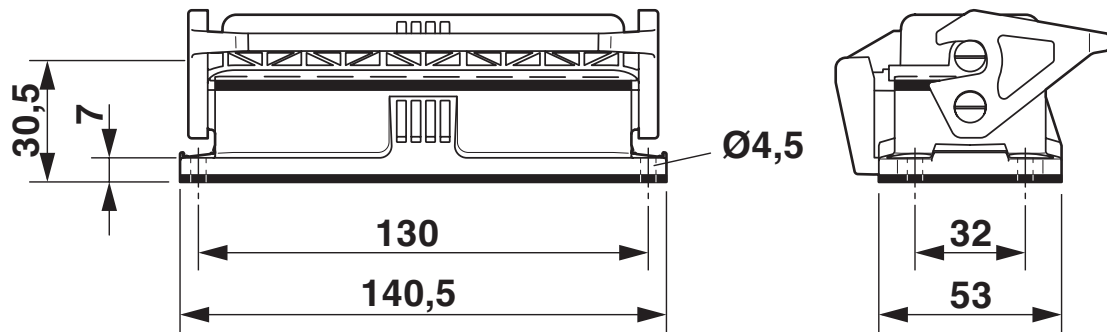


1407660

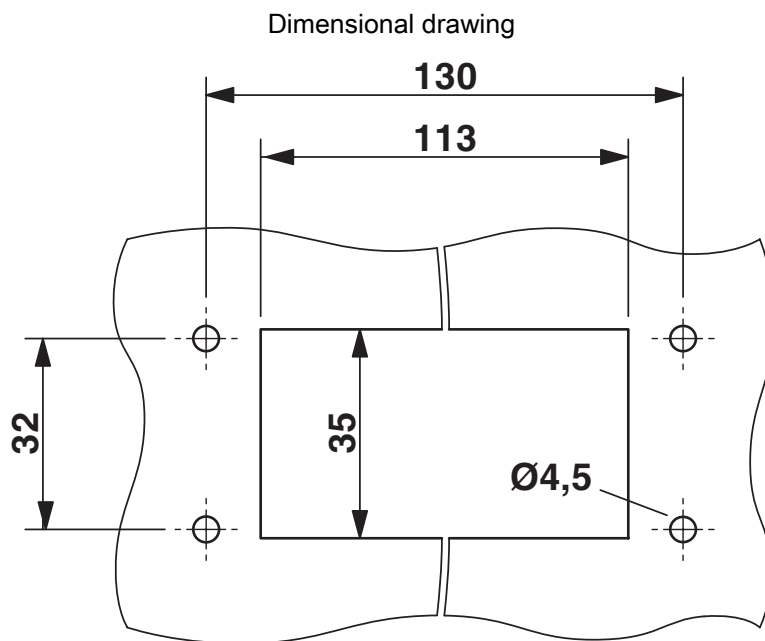
<https://www.phoenixcontact.com/us/products/1407660>

Drawings

Dimensional drawing



Dimensional drawing



Mounting cutout

HC-EVO-B24-BWSC-PLRBK - Housing



1407660

<https://www.phoenixcontact.com/us/products/1407660>

Approvals

🔗 To download certificates, visit the product detail page: <https://www.phoenixcontact.com/us/products/1407660>

DNV

Approval ID: TAE000037S

ENEC

EAC

Approval ID: RU C-DE.AI30.B.01102

HC-EVO-B24-BWSC-PLRBK - Housing



1407660

<https://www.phoenixcontact.com/us/products/1407660>

Classifications

ECLASS

| | |
|-------------|----------|
| ECLASS-13.0 | 27440202 |
| ECLASS-15.0 | 27440202 |

ETIM

| | |
|-----------|----------|
| ETIM 10.0 | EC000437 |
|-----------|----------|

UNSPSC

| | |
|-------------|----------|
| UNSPSC 21.0 | 31261500 |
|-------------|----------|

1407660

<https://www.phoenixcontact.com/us/products/1407660>

Environmental product compliance

EU RoHS

| | |
|---|--------------------|
| Fulfills EU RoHS substance requirements | Yes, No exemptions |
|---|--------------------|

China RoHS

| | |
|--|--|
| Environment friendly use period (EFUP) | EFUP-E |
| | No hazardous substances above the limits |

EU REACH SVHC

| | |
|-------------------------------------|----------------------------|
| REACH candidate substance (CAS No.) | No substance above 0.1 wt% |
|-------------------------------------|----------------------------|

EF3.1 Climate Change

| | |
|---------|---------------|
| CO2e kg | 1.884 kg CO2e |
|---------|---------------|

Phoenix Contact 2026 © - all rights reserved
<https://www.phoenixcontact.com>

Phoenix Contact USA
586 Fulling Mill Road
Middletown, PA 17057, United States
(+717) 944-1300
info@phoenixcon.com