

# HC-EVO-B24-HHWD-PLBK - Housing



1407658

<https://www.phoenixcontact.com/us/products/1407658>

Please be informed that the data shown in this PDF document is generated from our online catalog. Please find the complete data in the user documentation. Our general terms of use for downloads are valid.



HEAVYCON EVO sleeve housing, plastic, with bayonet flange for EVO screw connection, B24, with double locking latch, height: 87.5 mm, without EVO screw connection

## Your advantages

- Flexible cable outlet direction, lateral or straight
- Lower costs than metal version
- Low weight
- Lower risk of condensation

## Commercial data

Item number	1407658
Packing unit	1 pc
Minimum order quantity	1 pc
Sales key	BF57
Product key	AF7APL
GTIN	4046356777216
Weight per piece (including packing)	162 g
Weight per piece (excluding packing)	162.6 g
Customs tariff number	85389099
Country of origin	PL

1407658

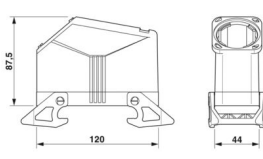
<https://www.phoenixcontact.com/us/products/1407658>

## Technical data

### Product properties

Product type	Housing with locking latch
Housing type	Sleeve housing
Product family	HC-EVO-B
Application	Standard
Type	B24
No. of cable outlets	1
Cable outlet	straight
Pg screw connection	none

### Dimensions

Dimensional drawing	
Width	44 mm
Height	87.5 mm
Length	120 mm

### Material specifications

Flammability rating according to UL 94	V0 (Housing)
	V0 (Interlock)
Housing material	PA 6.6-FR
Locking latch material	PA

### Mechanical properties

#### Mechanical data

Locking type	Latch
--------------	-------

### Mounting

Assembly note	The sleeve base housing must be supplemented with the EVO screw connection. The EVO screw connection is available in four sizes. It facilitates the creation of a straight or a side cable outlet. The EVO screw connection is mounted with the aid of, for example, a pipe wrench
---------------	--

### Environmental and real-life conditions

#### Ambient conditions

Degree of protection	IP66
Enclosure rating (NEMA)	12 (UL 50e)
Impact strength	IK09

# HC-EVO-B24-HHWD-PLBK - Housing

1407658

<https://www.phoenixcontact.com/us/products/1407658>



Ambient temperature (operation)

-40 °C ... 125 °C

# HC-EVO-B24-HHWD-PLBK - Housing

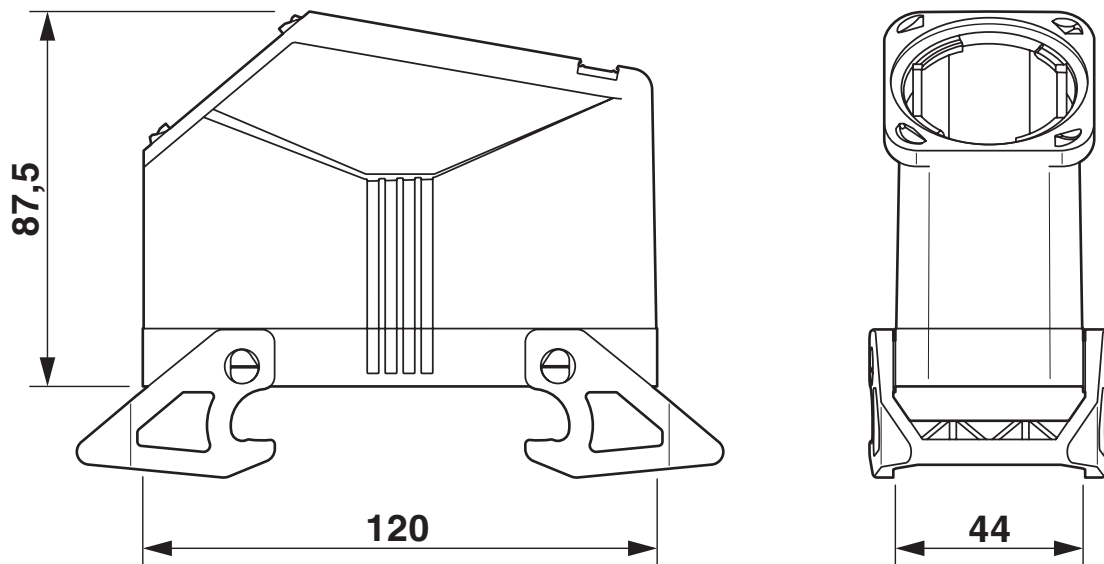
1407658

<https://www.phoenixcontact.com/us/products/1407658>



## Drawings

Dimensional drawing



Dimensional drawing

# HC-EVO-B24-HHWD-PLBK - Housing



1407658

<https://www.phoenixcontact.com/us/products/1407658>

## Approvals

To download certificates, visit the product detail page: <https://www.phoenixcontact.com/us/products/1407658>

**DNV**

Approval ID: TAE000037S



**cUL Recognized**

Approval ID: E255026



**UL Recognized**

Approval ID: E255026



**EAC**

Approval ID: RU C-DE.AI30.B.01102

# HC-EVO-B24-HHWD-PLBK - Housing



1407658

<https://www.phoenixcontact.com/us/products/1407658>

## Classifications

### ECLASS

ECLASS-13.0	27440202
ECLASS-15.0	27440202

### ETIM

ETIM 10.0	EC000437
-----------	----------

### UNSPSC

UNSPSC 21.0	31261500
-------------	----------

# HC-EVO-B24-HHWD-PLBK - Housing



1407658

<https://www.phoenixcontact.com/us/products/1407658>

## Environmental product compliance

### EU RoHS

Fulfills EU RoHS substance requirements	Yes, No exemptions
---	--------------------

### China RoHS

Environment friendly use period (EFUP)	EFUP-E
	No hazardous substances above the limits

### EU REACH SVHC

REACH candidate substance (CAS No.)	No substance above 0.1 wt%
-------------------------------------	----------------------------

Phoenix Contact 2026 © - all rights reserved  
<https://www.phoenixcontact.com>

Phoenix Contact USA  
586 Fulling Mill Road  
Middletown, PA 17057, United States  
(+717) 944-1300  
[info@phoenixcon.com](mailto:info@phoenixcon.com)