

HC-EVO-B16-SHFDC-2SSM40-PLRBK - Housing



1407653

<https://www.phoenixcontact.com/us/products/1407653>

Please be informed that the data shown in this PDF document is generated from our online catalog. Please find the complete data in the user documentation. Our general terms of use for downloads are valid.



Surface mounting housing B16, for double locking latch, material: PA 6.6-FR, protective cover material: PC, cable outlets: 2, lateral, 2x M40, height: 84 mm, cable gland: none, protective cover: yes, Standard

Product description

One screw connection opening is closed, however can be opened using a screwdriver

Your advantages

- Lower costs than metal version
- Lower costs than metal version
- Low weight
- Lower risk of condensation

Commercial data

Item number	1407653
Packing unit	1 pc
Minimum order quantity	1 pc
Sales key	BF57
Product key	AF7APL
GTIN	4046356777162
Weight per piece (including packing)	196.6 g
Weight per piece (excluding packing)	196.4 g
Customs tariff number	85389099
Country of origin	PL

1407653

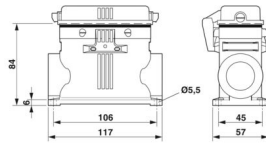
<https://www.phoenixcontact.com/us/products/1407653>

Technical data

Product properties

Product type	Housing with locking latch
Housing type	Surface mounting housing
Product family	HC-EVO-B
Application	Standard
Type	B16
No. of cable outlets	2
Type of the screw connection	2x M40
Protective cover	yes
Cable outlet	lateral
Pg screw connection	none

Dimensions

Dimensional drawing	
Width	57 mm
Height	84 mm
Length	117 mm
Hole diameter	5.5 mm

Material specifications

Flammability rating according to UL 94	V0 (Housing)
	V0 (Protective cover)
Seal material	NBR
Housing material	PA 6.6-FR
Material, protective cover	PC

Mechanical properties

Mechanical data

Type of the screw connection	2x M40
Locking type	Pin

Connection data

Tightening torque	2 Nm ... 3 Nm (for M5 mounting screws on the surface-mount housing)
-------------------	---

Mounting

Assembly note	One of the two openings for the screw connections is sealed but can be broken open using a screwdriver.
---------------	---

1407653

<https://www.phoenixcontact.com/us/products/1407653>

Environmental and real-life conditions

Ambient conditions

Degree of protection	IP66 (when plugged in) IP54 (with closed protective cover)
Enclosure rating (NEMA)	12 (UL 50e)
Impact strength	IK09
Ambient temperature (operation)	-40 °C ... 125 °C

HC-EVO-B16-SHFDC-2SSM40-PLRBK - Housing

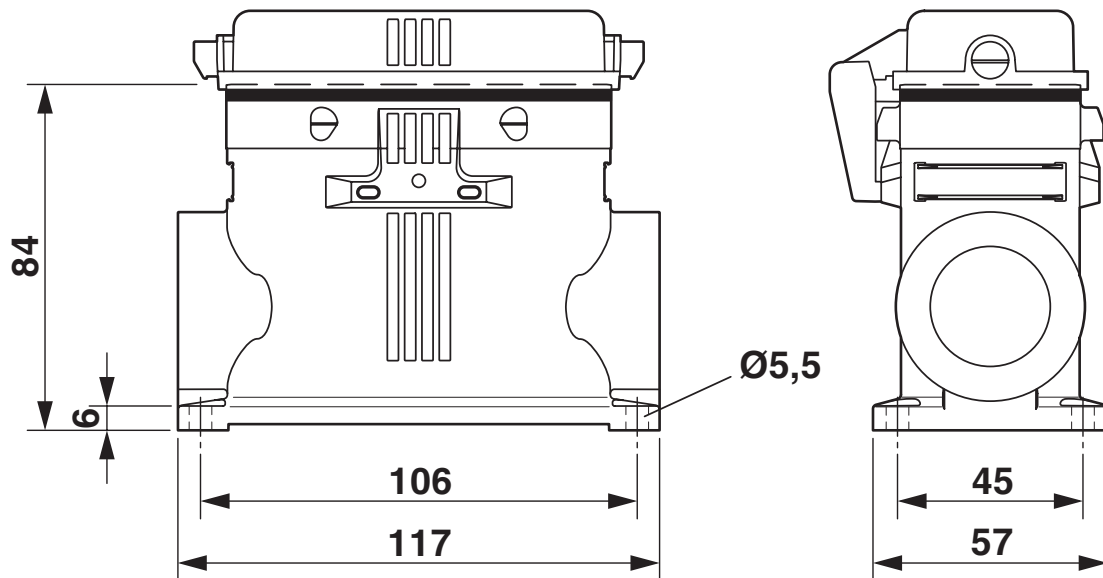


1407653

<https://www.phoenixcontact.com/us/products/1407653>

Drawings

Dimensional drawing



Dimensional drawing

1407653

<https://www.phoenixcontact.com/us/products/1407653>

Approvals

🔗 To download certificates, visit the product detail page: <https://www.phoenixcontact.com/us/products/1407653>

DNV

Approval ID: TAE000037S

ENEC

EAC

Approval ID: RU C-DE.AI30.B.01102

1407653

<https://www.phoenixcontact.com/us/products/1407653>

Classifications

ECLASS

ECLASS-13.0	27440202
ECLASS-15.0	27440202

ETIM

ETIM 10.0	EC000437
-----------	----------

UNSPSC

UNSPSC 21.0	31261500
-------------	----------

1407653

<https://www.phoenixcontact.com/us/products/1407653>

Environmental product compliance

EU RoHS

Fulfills EU RoHS substance requirements	Yes, No exemptions
---	--------------------

China RoHS

Environment friendly use period (EFUP)	EFUP-E
	No hazardous substances above the limits

EU REACH SVHC

REACH candidate substance (CAS No.)	No substance above 0.1 wt%
-------------------------------------	----------------------------

EF3.1 Climate Change

CO2e kg	1.856 kg CO2e
---------	---------------

Phoenix Contact 2026 © - all rights reserved
<https://www.phoenixcontact.com>

Phoenix Contact USA
586 Fulling Mill Road
Middletown, PA 17057, United States
(+717) 944-1300
info@phoenixcon.com