

HC-EVO-B10-HHWD-PLBK - Housing



1407631

<https://www.phoenixcontact.com/us/products/1407631>

Please be informed that the data shown in this PDF document is generated from our online catalog. Please find the complete data in the user documentation. Our general terms of use for downloads are valid.



HEAVYCON EVO sleeve housing, plastic, with bayonet flange for EVO screw connection, B10, with double locking latch, height: 87.5 mm, without EVO screw connection

Your advantages

- Flexible cable outlet direction, lateral or straight
- Lower costs than metal version
- Low weight
- Lower risk of condensation

Commercial data

Item number	1407631
Packing unit	1 pc
Minimum order quantity	1 pc
Sales key	BF57
Product key	AF7APL
GTIN	4046356776936
Weight per piece (including packing)	116.7 g
Weight per piece (excluding packing)	115.6 g
Customs tariff number	85389099
Country of origin	PL

1407631

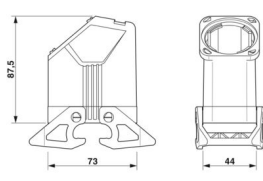
<https://www.phoenixcontact.com/us/products/1407631>

Technical data

Product properties

Product type	Housing with locking latch
Housing type	Sleeve housing
Product family	HC-EVO-B
Application	Standard
Type	B10
No. of cable outlets	1
Cable outlet	straight
Pg screw connection	none

Dimensions

Dimensional drawing	
Width	44 mm
Height	87.5 mm
Length	73 mm

Material specifications

Flammability rating according to UL 94	V0 (Housing)
	V0 (Interlock)
Housing material	PA 6.6-FR
Locking latch material	PA

Mechanical properties

Mechanical data

Locking type	Latch
--------------	-------

Mounting

Assembly note	The sleeve base housing must be supplemented with the EVO screw connection. The EVO screw connection is available in four sizes. It facilitates the creation of a straight or a side cable outlet. The EVO screw connection is mounted with the aid of, for example, a pipe wrench
---------------	--

Environmental and real-life conditions

Ambient conditions

Degree of protection	IP66
Enclosure rating (NEMA)	12 (UL 50e)

HC-EVO-B10-HHWD-PLBK - Housing



1407631

<https://www.phoenixcontact.com/us/products/1407631>

Impact strength	IK09
Ambient temperature (operation)	-40 °C ... 125 °C

HC-EVO-B10-HHWD-PLBK - Housing

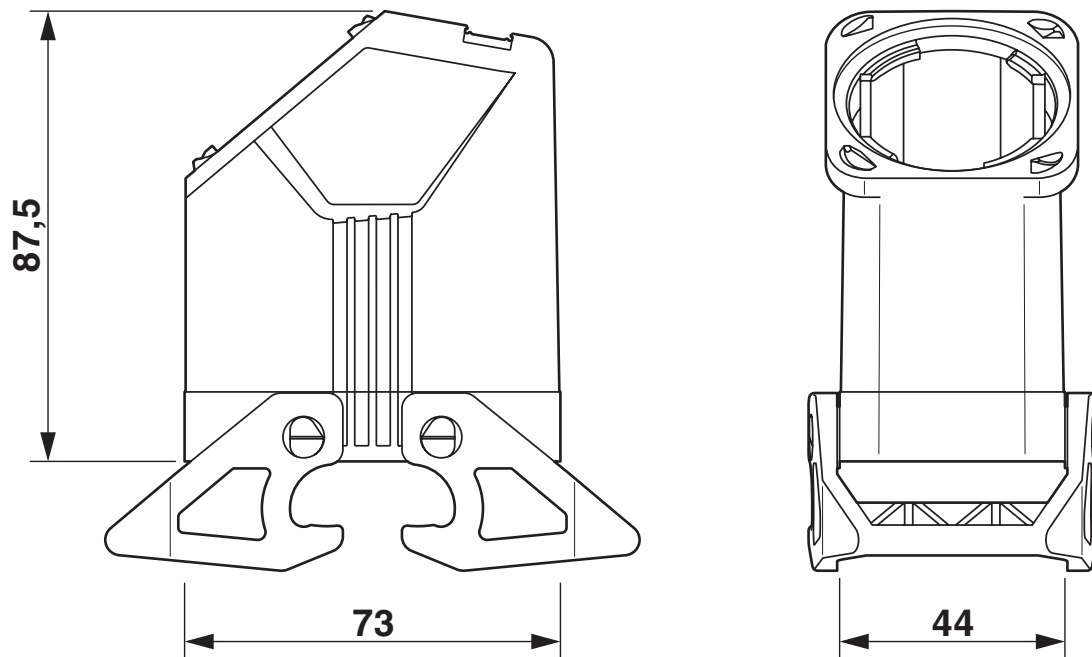
1407631

<https://www.phoenixcontact.com/us/products/1407631>



Drawings

Dimensional drawing



Dimensional drawing

HC-EVO-B10-HHWD-PLBK - Housing



1407631

<https://www.phoenixcontact.com/us/products/1407631>

Approvals

To download certificates, visit the product detail page: <https://www.phoenixcontact.com/us/products/1407631>

DNV

Approval ID: TAE000037S



cUL Recognized

Approval ID: E255026



UL Recognized

Approval ID: E255026



EAC

Approval ID: RU C-DE.AI30.B.01102

HC-EVO-B10-HHWD-PLBK - Housing



1407631

<https://www.phoenixcontact.com/us/products/1407631>

Classifications

ECLASS

ECLASS-13.0	27440202
ECLASS-15.0	27440202

ETIM

ETIM 10.0	EC000437
-----------	----------

UNSPSC

UNSPSC 21.0	31261500
-------------	----------

HC-EVO-B10-HHWD-PLBK - Housing



1407631

<https://www.phoenixcontact.com/us/products/1407631>

Environmental product compliance

EU RoHS

Fulfills EU RoHS substance requirements	Yes, No exemptions
---	--------------------

China RoHS

Environment friendly use period (EFUP)	EFUP-E
	No hazardous substances above the limits

EU REACH SVHC

REACH candidate substance (CAS No.)	No substance above 0.1 wt%
-------------------------------------	----------------------------

Phoenix Contact 2026 © - all rights reserved
<https://www.phoenixcontact.com>

Phoenix Contact USA
586 Fulling Mill Road
Middletown, PA 17057, United States
(+717) 944-1300
info@phoenixcon.com