

# HC-EVO-B10-HHFD-PLBK - Housing



1407629

<https://www.phoenixcontact.com/us/products/1407629>

Please be informed that the data shown in this PDF document is generated from our online catalog. Please find the complete data in the user documentation. Our general terms of use for downloads are valid.



HEAVYCON EVO sleeve housing, plastic, with bayonet flange for EVO screw connection, B10, for double locking latch, height: 87.5 mm, without EVO screw connection

## Your advantages

- Flexible cable outlet direction, lateral or straight
- Lower costs than metal version
- Low weight
- Lower risk of condensation

## Commercial data

|                                      |               |
|--------------------------------------|---------------|
| Item number                          | 1407629       |
| Packing unit                         | 1 pc          |
| Minimum order quantity               | 1 pc          |
| Sales key                            | BF57          |
| Product key                          | AF7APL        |
| GTIN                                 | 4046356776912 |
| Weight per piece (including packing) | 93 g          |
| Weight per piece (excluding packing) | 92.3 g        |
| Customs tariff number                | 85389099      |
| Country of origin                    | PL            |

# HC-EVO-B10-HHFD-PLBK - Housing



1407629

<https://www.phoenixcontact.com/us/products/1407629>

## Technical data

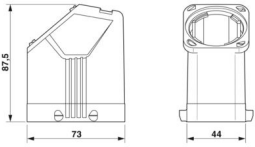
### Notes

|         |  |
|---------|--|
| General | For contact inserts HC-B10, BB18, DD42, M, K8/24, HV03-I-PT, HC- 3-E...C |
|---------|--|

### Product properties

|                      |                            |
|----------------------|----------------------------|
| Product type         | Housing with locking latch |
| Housing type         | Sleeve housing             |
| Product family       | HC-EVO-B                   |
| Application          | Standard                   |
| Type                 | B10                        |
| No. of cable outlets | 1                          |
| Cable outlet         | straight                   |
| Pg screw connection  | none                       |

### Dimensions

|                     |  |
|---------------------|--|
| Dimensional drawing |  |
| Width               | 44 mm  |
| Height              | 87.5 mm  |
| Length              | 73 mm  |

### Material specifications

|  |              |
|--|--------------|
| Flammability rating according to UL 94 | V0 (Housing) |
| Housing material                       | PA 6.6-FR    |

### Mechanical properties

#### Mechanical data

|              |     |
|--------------|-----|
| Locking type | Pin |
|--------------|-----|

### Mounting

|               |  |
|---------------|--|
| Assembly note | The sleeve base housing must be supplemented with the EVO screw connection. The EVO screw connection is available in 4 sizes. It enables the creation of a straight or a lateral cable outlet. The EVO screw connection is assembled by hand or using a pipe wrench. |
|---------------|--|

### Environmental and real-life conditions

#### Ambient conditions

|                      |      |
|----------------------|------|
| Degree of protection | IP66 |
|----------------------|------|

# HC-EVO-B10-HHFD-PLBK - Housing



1407629

<https://www.phoenixcontact.com/us/products/1407629>

|                                 |                   |
|---------------------------------|-------------------|
| Enclosure rating (NEMA)         | 12 (UL 50e)       |
| Impact strength                 | IK09              |
| Ambient temperature (operation) | -40 °C ... 125 °C |

# HC-EVO-B10-HHFD-PLBK - Housing

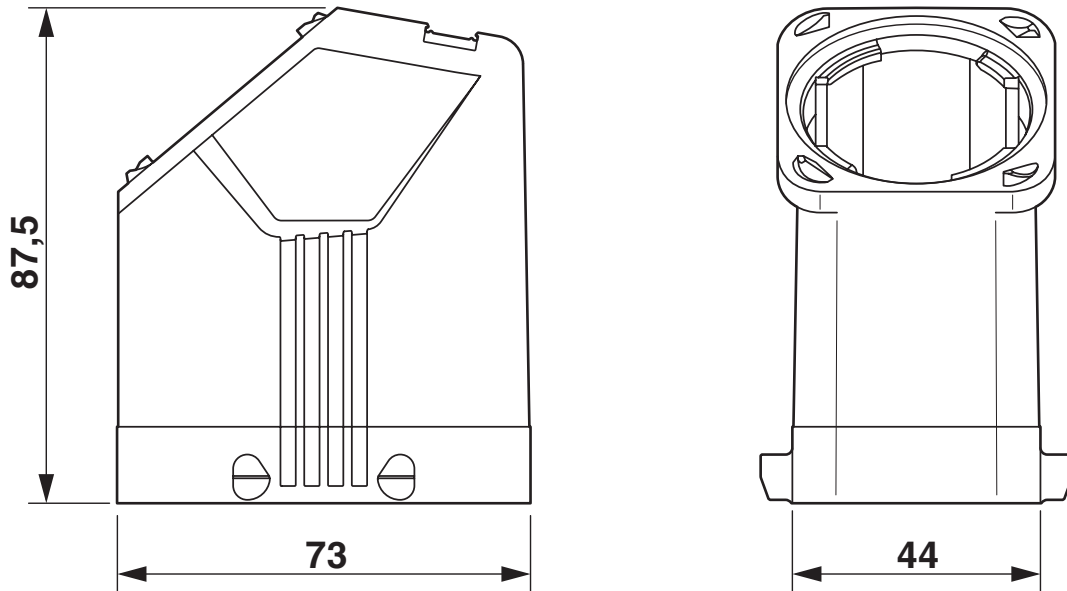
1407629

<https://www.phoenixcontact.com/us/products/1407629>



## Drawings

Dimensional drawing



Dimensional drawing

# HC-EVO-B10-HHFD-PLBK - Housing



1407629

<https://www.phoenixcontact.com/us/products/1407629>

## Approvals

To download certificates, visit the product detail page: <https://www.phoenixcontact.com/us/products/1407629>

**DNV**

Approval ID: TAE000037S



**cUL Recognized**

Approval ID: E255026



**UL Recognized**

Approval ID: E255026



**EAC**

Approval ID: RU C-DE.AI30.B.01102

# HC-EVO-B10-HHFD-PLBK - Housing



1407629

<https://www.phoenixcontact.com/us/products/1407629>

## Classifications

### ECLASS

|             |          |
|-------------|----------|
| ECLASS-13.0 | 27440202 |
| ECLASS-15.0 | 27440202 |

### ETIM

|           |          |
|-----------|----------|
| ETIM 10.0 | EC000437 |
|-----------|----------|

### UNSPSC

|             |          |
|-------------|----------|
| UNSPSC 21.0 | 31261500 |
|-------------|----------|

# HC-EVO-B10-HHFD-PLBK - Housing



1407629

<https://www.phoenixcontact.com/us/products/1407629>

## Environmental product compliance

### EU RoHS

|   |                    |
|---|--------------------|
| Fulfills EU RoHS substance requirements | Yes, No exemptions |
|---|--------------------|

### China RoHS

|  |  |
|--|--|
| Environment friendly use period (EFUP) | EFUP-E                                   |
|  | No hazardous substances above the limits |

### EU REACH SVHC

|                                     |                            |
|-------------------------------------|----------------------------|
| REACH candidate substance (CAS No.) | No substance above 0.1 wt% |
|-------------------------------------|----------------------------|

### EF3.1 Climate Change

|         |               |
|---------|---------------|
| CO2e kg | 0.704 kg CO2e |
|---------|---------------|

Phoenix Contact 2026 © - all rights reserved  
<https://www.phoenixcontact.com>

Phoenix Contact USA  
586 Fulling Mill Road  
Middletown, PA 17057, United States  
(+717) 944-1300  
[info@phoenixcon.com](mailto:info@phoenixcon.com)